

# MICRO SWITCH

A DIVISION OF MINNEAPOLIS-HONEYWELL REGULATOR COMPANY  
 FREDERICK, MARYLAND  
 FED. MFR. CODE 91929

## SWITCH - BASIC

CATALOG LISTING

**BA-2R**

PRODUCT CODE: ABF4000

(M) BA-2R  
 ISSUE 4

BA-2R  
 PAGE 1 OF 1

M

DRAWING NUMBER

REPLACES

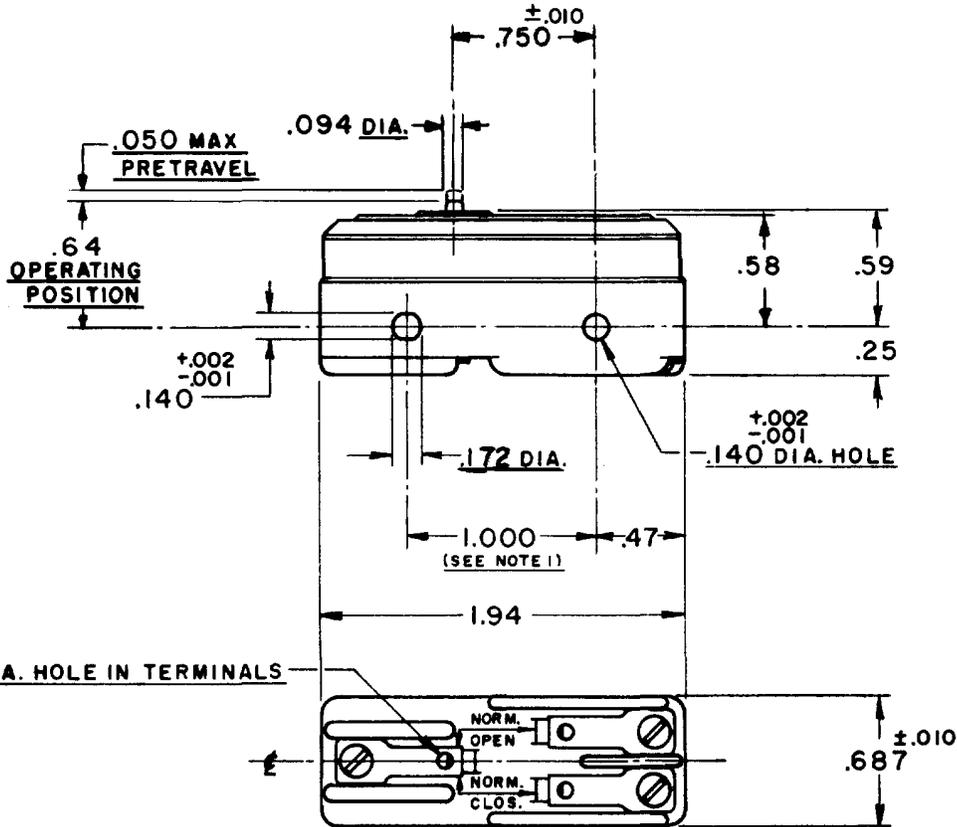
23NOV05

RJ

CHECK

REVISIONS

A	C.O. 9600	K.A.F.	20 MARCH 56
B	50 RR.	O.M.W.	21 AUG. 56
C	59 77590	SAD	9 JUN 94
D	CO-92159	C.S.L.	21 JAN 98
E	C093346	D.L.T.	21 AUG 98
F	CO-94212-C	D.L.T.	20 SEP 99
G	0016786	SPK	23NOV05



**NOTE**

1- MOUNTING HOLES WILL ACCEPT PINS OR SCREWS OF .139 MAX. DIA. ON 1.000<sup>±.002</sup> CENTERS.

THIS DRAWING COVERS A PROPRIETARY ITEM AND IS THE PROPERTY OF MICRO SWITCH, A DIVISION OF HONEYWELL. THIS DRAWING IS NOT TO BE COPIED OR USED WITHOUT THE APPROVAL OF MICRO SWITCH.

**CHARACTERISTICS**

OPERATING FORCE ----- 14 - 22 OZ.  
 RELEASE FORCE ----- 10 OZ. MIN.  
 DIFFERENTIAL TRAVEL ----- .002 - .0075  
 OVERTRAVEL ----- .010 MIN.

**ELECTRICAL DATA**

CONTACT ARRANGEMENT  
 S.P.D.T.

BREAK DISTANCE  
 020 MIN.

L23 20A 125, 250 OR 480 VAC  
 10A 125 VAC "L"  
 1HP 125 VAC, 2HP 250 VAC  
 1/2A 125 VDC, 1/4A 250 VDC

L288  
 L308  
 L315



20(3)A 250V T85 5E4

**SCALE - FULL**

DO NOT SCALE PRINT

UNLESS OTHERWISE SPECIFIED  
 DIMENSIONS ARE IN INCHES  
**TOLERANCES ARE:**

ONE PLACE (.0)	±.030
TWO PLACE (.00)	±.015
THREE PLACE (.000)	±.005
ANGLES	±

WEIGHT 050 LB.

FORMTEK

DRAWN

CHECK

20 MARCH 56

K.A.F.