









EZ-LIGHT™ 2-Color Indicators for Use with Sensors



DC-Operated LED Indicators

For the latest technical information about this product, including specifications, dimensions, and wiring, see www.bannerengineering.com.

Models*		Inputs	Models*		Inputs
	T8LGYX7PQP	PNP		K30LGYX7PQ	PNP
	T8LGYX7NQP	NPN		K30LGYX7NQP	NPN
	<ul style="list-style-type: none"> Polycarbonate/ABS alloy housing, thermoplastic diffuser IP67 			<ul style="list-style-type: none"> 22 mm threaded polycarbonate base, translucent polycarbonate dome Fully encapsulated IP67, IP69K 	
	M18GYX7PQ	PNP		K50LGYX7PQ	PNP
	M18GYX7NQP	NPN		K50LGYX7NQP	NPN
	<ul style="list-style-type: none"> Nickel-plated brass housing, thermoplastic diffuser Fully encapsulated IP67 			<ul style="list-style-type: none"> 30 mm threaded polycarbonate base, translucent polycarbonate dome Fully encapsulated IP67, IP69K 	
	T18GYX7PQ	PNP		K50FLGYX7PQ	PNP
	T18GYX7NQP	NPN		K50FLGYX7NQP	NPN
	<ul style="list-style-type: none"> Thermoplastic polyester housing, thermoplastic diffuser Fully encapsulated IP67 			<ul style="list-style-type: none"> Polycarbonate base, translucent polycarbonate dome Fully encapsulated IP67, IP69K 	
	T30GYX7PQ	PNP		K80LGYX7PQ	PNP
	T30GYX7NQP	NPN		K80LGYX7NQP	NPN
	<ul style="list-style-type: none"> Thermoplastic polyester housing, thermoplastic diffuser Fully encapsulated IP67 			<ul style="list-style-type: none"> ABS and polycarbonate base, translucent polycarbonate dome Electronics fully encapsulated IP67 	

* A QD model requires a mating cable; see [4-Pin Euro-Style Cordsets](#) on page 3.

T8L Models: Standard pigtail QD models are listed. For integral 4-wire cable model, omit suffix **QP** (example, **T8LGYX7P**).

K80L Models: Standard 4-pin Euro integral QD connector models are listed. For terminal-wired model, omit suffix **Q** (example, **K80LGYX7P**).

Other Models: Standard 4-pin Euro integral QD connector models are listed. For 2 m (6.5') integral 4-wire cable model, omit suffix **Q** (example, **M18GYX7P**). For 150 mm (6") PVC pigtail with 4-pin Euro connector, replace suffix **Q** with **QP** (example, **M18GYX7PQP**).

Contact Factory for other colors/color combinations, including: blue, white, orange.



WARNING: Not To Be Used for Personnel Protection

Never use this product as a sensing device for personnel protection. Doing so could lead to serious injury or death. This product does NOT include the self-checking redundant circuitry necessary to allow its use in personnel safety applications. A sensor failure or malfunction can cause either an energized or de-energized sensor output condition.



Specifications

Supply Voltage and Current

T8L models: 10 to 30V dc @ 20 mA max.

T18, M18, and K30L models: 10 to 30V dc @ 30 mA max.

T30 models: 10 to 30V dc @ 45 mA max.

K50L, K50FL, and K80L models: 18 to 30V dc @ 45 mA max.

Indicators

Entire translucent diffuser or dome provides indication. Green and Yellow, when connected to discrete output of 3-wire or 4-wire sensors. For other colors, contact Factory for availability.

Input Response Time

Indicator ON/OFF: 1 ms max.

Construction

See Models table.

Connections

K80L models: 4-pin Euro-style integral QD (Q) standard; terminal-wired models available for use with bulk cable; compression fitting optional. Contact Factory for cable information.

Other models: 4-pin Euro-style integral QD (Q), 6" pigtail QD (QP), or 4-wire, 2 m (6.5') integral cable, depending on model

Environmental Rating

Rated IEC IP67. T8L not encapsulated; K80L has encapsulated electronics only; other models fully encapsulated. K30L, K50L, and K50FL QD models meet IP69K, per DIN 40050-9. Cabled models also meet IP69K if the cable and cable entrance are protected from high-pressure spray.

Operating Conditions

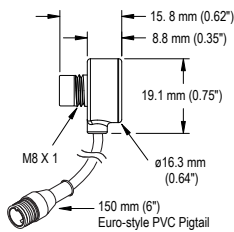
-40° to +50° C (-40° to +122° F)

Certifications

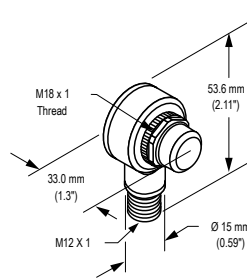
All models: CE; K30L and K50L models: UL

Dimensions

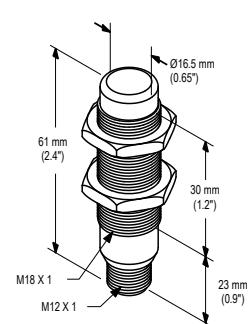
T8L Models



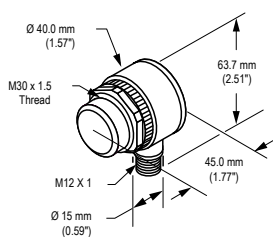
T18 Models



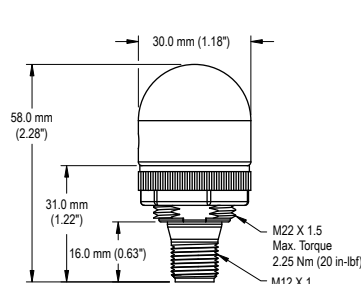
M18 Models



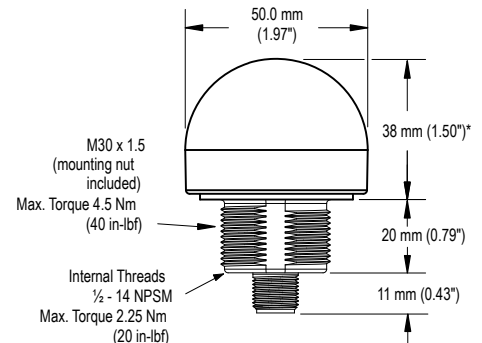
T30 Models



K30L Models

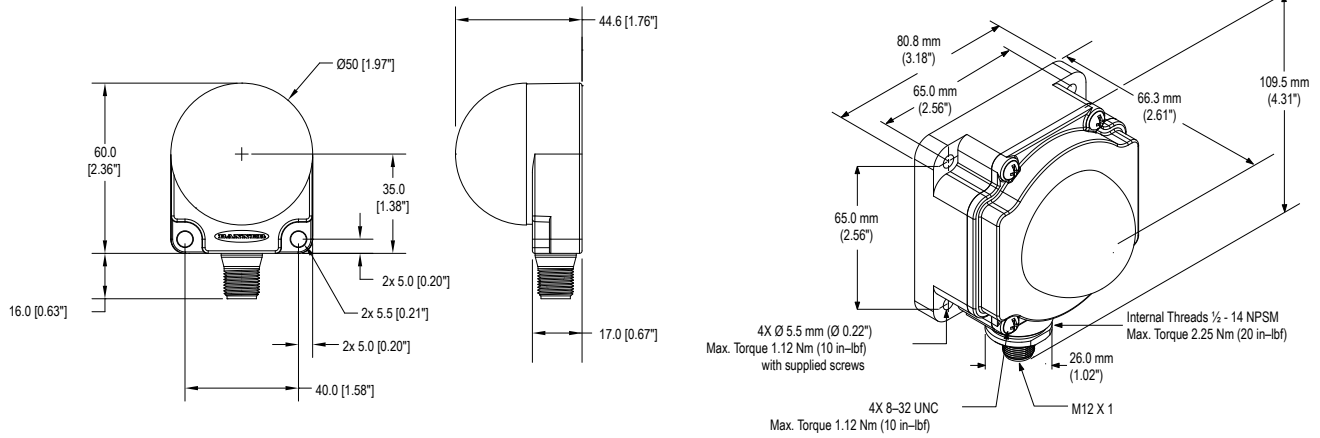


K50L Models



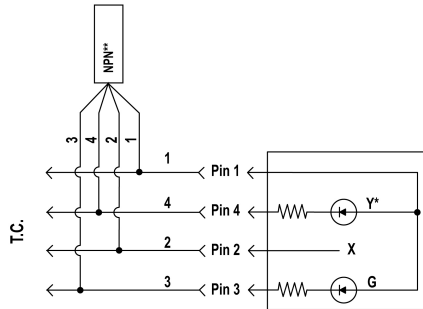
K50FL Models

K80L Models



Wiring

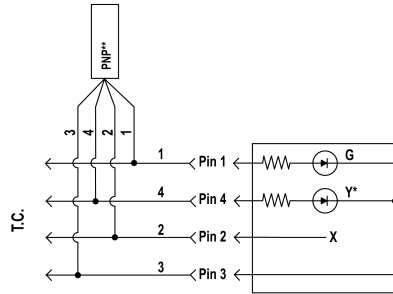
NPN Models



*Yellow ON = Green OFF

** This object represents the sensor

PNP Models



Legend

T.C. = To Controller

Y = Yellow

G = Green

X = Not Used

Wiring Key:

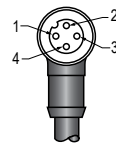
1 = Brown

2 = White

3 = Blue

4 = Black

Pinout



4-Pin Euro-Style Cordsets

4-Pin M12/Euro-Style Cordsets (straight connector)

MQDC-406, 2 m (6.5')

MQDC-415, 5 m (15')

MQDC-430, 9 m (30')

4-Pin M12/Euro-Style Cordsets (right-angle connector)

MQDC-406RA, 2 m (6.5')

MQDC-415RA, 5 m (15')

MQDC-430RA, 9 m (30')

4-Pin Euro-Style Double-Ended Quick-Disconnect (QD) Cordsets

4-pin Euro-Style Male Straight/ Female Straight Connectors	4-pin Euro-Style Male Right-Angle/Female Straight Connectors	Length
MQDEC-403SS	MQDEC-403RS	1 m (3')
MQDEC-406SS	MQDEC-406RS	2 m (6.5')
MQDEC-412SS	MQDEC-412RS	4 m (12')
MQDEC-420SS	MQDEC-420RS	7 m (23')
MQDEC-430SS	MQDEC-430RS	10 m (33')
MQDEC-450SS	MQDEC-450RS	15 m (50')

4-Pin Euro-Style Quick-Disconnect (QD) Splitter Cordsets

Model	Branch Length/ Connector	Trunk Length/ Connector
CSB-M1240M1240	2 x 10 mm (0.4") / female	10 mm (0.4") / male
CSB-M1241M1241	2 x 0.3 m (1') / female	0.3 m (1') / male
CSB-M1248M1241		2.5 m (8') / male
CSB-M12415M1241		5 m (15') / male
CSB-M12425M1241		8 m (26') / male
CSB-UNT425M1241		8 m (26') / unterminated

Contact Us

For more information: Contact your local Banner representative or Banner Corporate Offices around the world.

Corporate Headquarters: Banner Engineering Corp. 9714 Tenth Ave. North, Mpls., MN 55441, Tel: 763-544-3164, www.bannerengineering.com, sensors@bannerengineering.com

Europe: Banner Engineering Europe Park Lane, Culliganlaan 2F, Diegem B-1831 BELGIUM, Tel: 32-2 456 07 80, Fax: 32-2 456 07 89, www.bannereurope.com, mail@bannereurope.com

Latin America: Contact Banner Engineering Corp. (US) or e-mail **Mexico:** mexico@bannerengineering.com; or **Brazil:** brasil@bannerengineering.com

Asia:

Banner Engineering China Shanghai Rep Office Rm. G/H/I, 28th Flr. Cross Region Plaza No. 899, Lingling Road, Shanghai 200030 CHINA, Tel: 86-21-54894500, Fax: 86-21-54894511, www.bannerengineering.com.cn, sensors@bannerengineering.com.cn

Banner Engineering Japan Cent-Urban Building 305 3-23-15, Nishi-Nakajima Yodogawa-Ku, Osaka 532-0011 JAPAN, Tel: 81-6-6309-0411, Fax: 81-6-6309-0416, www.bannerengineering.co.jp, mail@bannerengineering.co.jp

Banner Engineering Asia — Taiwan Neihu Technology Park 5F-1, No. 51, Lane 35, Jihu Rd., Taipei 114 TAIWAN, Tel: 886-2-8751-9966, Fax: 886-2-8751-2966, www.bannerengineering.com.tw, info@bannerengineering.com.tw

Banner Engineering India Pune Head Quarters Office, No. 1001 Sai Capital, Opp. ICC Senapati Bapat Road, Pune 411016 INDIA, Tel: 91-20-66405624, Fax: 91-20-66405623, www.bannerengineering.co.in, india@bannerengineering.com



Warranty: Banner Engineering Corporation warrants its products to be free from defects for a period of one year. Banner Engineering Corporation will repair or replace, free of charge, any product of its manufacture found to be defective at the time it is returned to the factory during the warranty period. This warranty does not cover damage or liability for the improper application of Banner products. This warranty is in lieu of any other warranty either expressed or implied.