



Date 8-15-09
DRN BY MEA

TITLE ALLIGATOR CLIP
STEEL INSULATED

ISSUE NO. 0
8-15-09

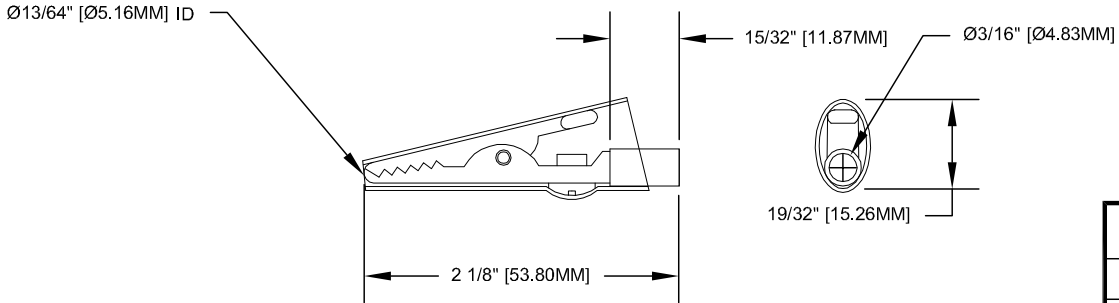
PART NO. 501993

This drawing is not to be disclosed to a third party without the authority from the company ©

MAT'L NOTED
SCALE NONE

CURRENT RATING:
10 AMP

PROJ. NO.



CLIP MATERIAL: STEEL
FINISH: NICKEL PLATED
INSULATOR MATERIAL: PVC

INSULATOR COLORS	
_R	= RED
_B	= BLACK
_Y	= YELLOW
_G	= GREEN
_BL	= BLUE
_G	= GREEN
_W	= WHITE

ASSEMBLY NO.

PACKAGING :

PRINTING AS ILLUSTRATED

CONCENTRICITY:

ANGLES