

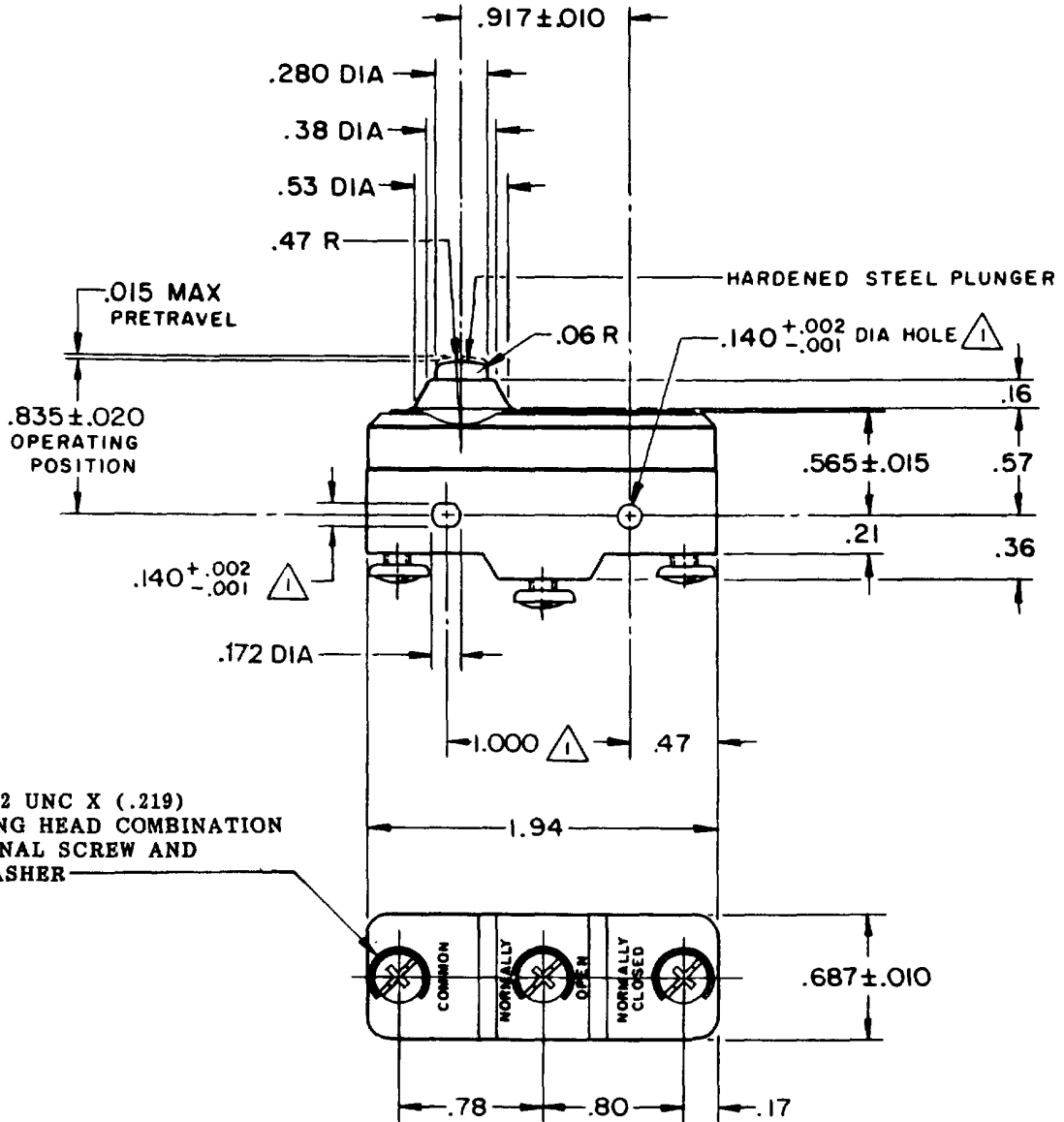
# MICRO SWITCH

FREEDPORT ILLINOIS, U.S.A.  
A DIVISION OF HONEYWELL  
FED. MFG. CODE 91929

# SWITCH - BASIC

CATALOG LISTING  
**BZ-2RD72-A2**

**AHE5189**



3X 6-32 UNC X (.219)  
BINDING HEAD COMBINATION  
TERMINAL SCREW AND  
CUPWASHER

**NOTES**

- ▲ MOUNTING HOLES WILL ACCEPT PINS OR SCREWS OF .139 MAX DIA ON 1.000 ± .002 CENTERS
- 2 CONTACT MATERIAL - GOLD ALLOY

THIS DRAWING COVERS A PROPRIETARY ITEM AND IS THE PROPERTY OF MICRO SWITCH, A DIVISION OF HONEYWELL. THIS DRAWING IS NOT TO BE COPIED OR USED WITHOUT THE APPROVAL OF MICRO SWITCH.

CHARACTERISTICS	ELECTRICAL DATA	SCALE FULL
OPERATING FORCE ----- 9 - 13 OZ	CONTACT ARRANGEMENT S P D T	DO NOT SCALE PRINT
RELEASE FORCE ----- 4 OZ MIN	-L22- 1A - 125 VAC	UNLESS OTHERWISE NOTED DIMENSIONS ARE IN INCHES
DIFFERENTIAL TRAVEL ----- .0004 - .0020	-L288- -L315- -L307-	<b>TOLERANCES ARE:</b>
OVERTRAVEL ----- .060 MIN	CE SF RU 505 1A 250V ~ T85 25E3	ONE PLACE (.0) ± .030 TWO PLACE (.00) ± .015 THREE PLACE (.000) ± .003 ANGLES ±
		WEIGHT .064 LB

**BZ-2RD72-A2**  
 PAGE 1 OF 1  
 M DRAWING NUMBER  
 6 ISSUE  
 REVISIONS  
 A CO31576 JAH 23 JAN 73  
 B CO-73287-J JAT 22 NOV 93  
 C CO-77589 KDR 29 MAR 94  
 D CO93346 DLT 18 AUG 98  
 E 0015540 KSR 07 OCT 05  
 FO-50378-1A  
 RASTER  
 DRAWN  
 GCH 18 DEC 69  
 CHECK DRAW  
 23 JAN 70  
 CHECK CN T  
 20 JAN 70  
 CHECK RJ  
 07 OCT 05  
 RELEASE NO. PR - 1010  
 REPLACES