

MODEL TL-4934

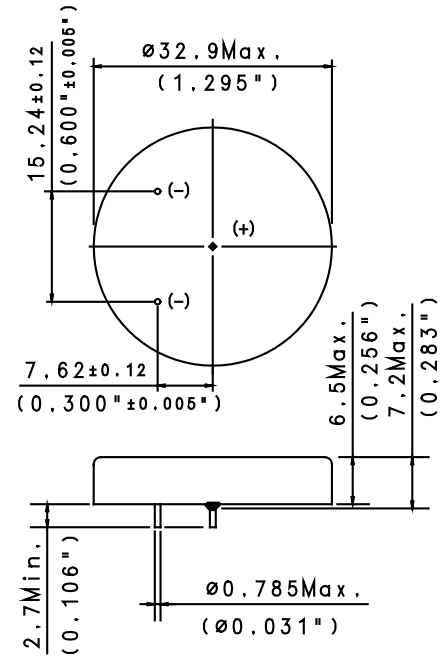
International size reference: 1/10D, ER32L65

TECHNICAL DATA

(Typical values @+25°C for batteries stored for one year or less)

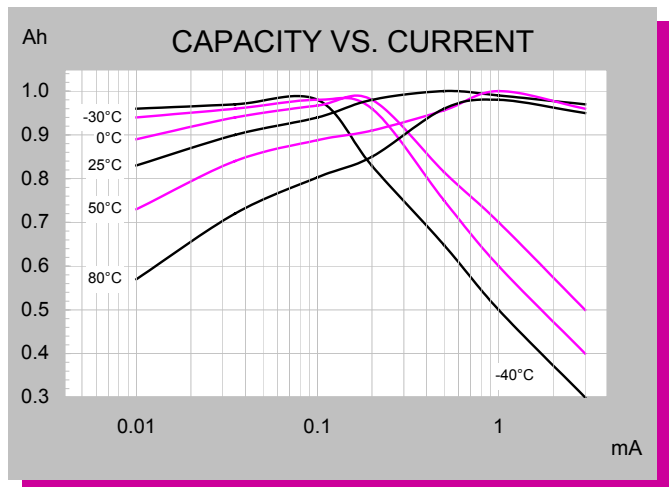
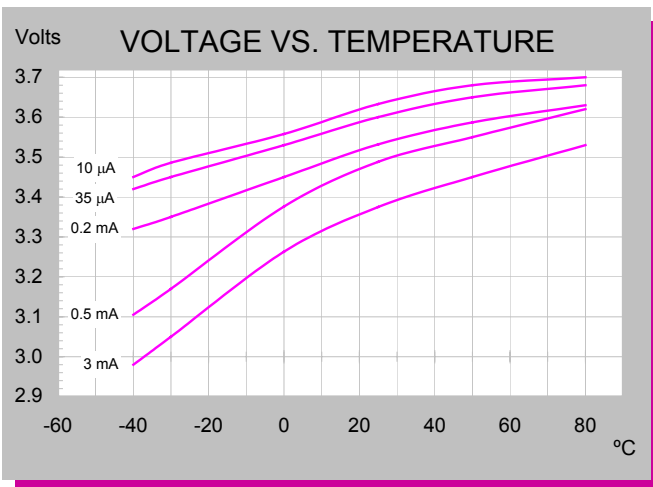
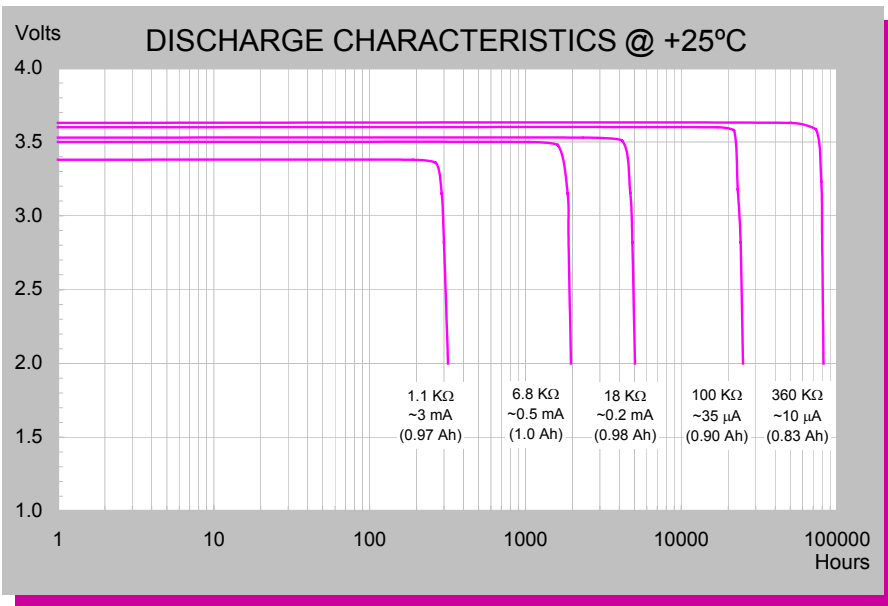
- Nominal capacity @ 0.5 mA, to 2 V 1 Ah
- Rated voltage 3.6 V
- Maximum recommended continuous current 10 mA
- Maximum 1 sec. pulse capability 20 mA
- Weight 16.2 g (0.57 oz)
- Volume 5.2 cc
- Operating temperature range -55 °C to +85 °C
- U.L. Component Recognition, MH 12193

TADIRAN LITHIUM BATTERIES



ADDITIONAL INFORMATION

TERMINAL MATERIAL : TIN PLATED NICKEL
CATALOGUE NO. : 15-4934-41000



XOL - Extended Operating Life

Note: Any presentations in this data sheet concerning performance are for information purpose only and are not construed as warranties either expressed or implied, of future performance.

ECN 1501186 Rev. E 01/06