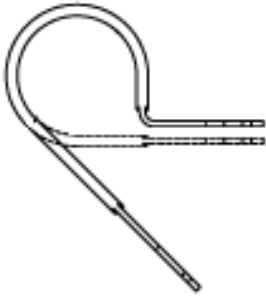


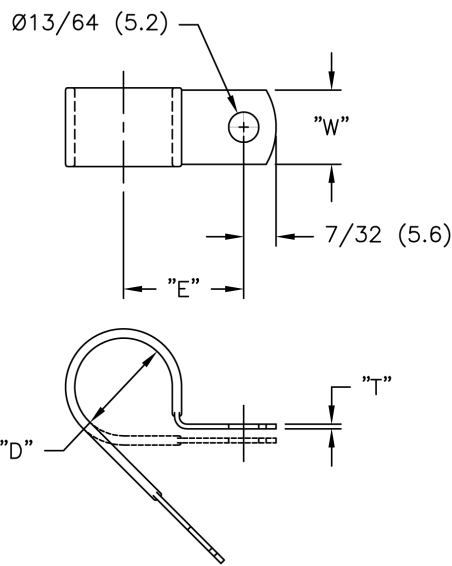
See "Part Drawing" for Details



Part Number	Description
-------------	-------------

NE5	Clamp, Screw Mnt, Blk/Alum, 5/16" Hold
---------------------	--





PART NO.	HOLDING DIA. "D"	"E" REF.	"T"	"W"
NE3	3/16 (4.8)	.50 (12.7)		
NE4	1/4 (6.4)	.53 (13.5)		
NE5	5/16 (7.9)	.56 (14.2)		
NE6	3/8 (9.5)	.59 (15.0)	1/32 (0.8)	3/8 (9.5)
NE7	7/16 (11.1)	.62 (15.7)		
NE8	1/2 (12.7)	.65 (16.5)		
NE9	9/16 (14.3)	.75 (19.1)		
NE10	5/8 (15.9)	.78 (19.8)		
NE11	11/16 (17.5)	.81 (20.6)		
NE12	3/4 (19.1)	.84 (21.3)		
NE14	7/8 (22.2)	.90 (22.9)	1/16 (1.6)	1/2 (12.7)
NE16	1 (25.4)	.96 (24.4)		
NE18	1-1/8 (28.6)	1.05 (26.7)		
NE20	1-1/4 (31.8)	1.11 (28.2)		

NOTES:

- MAT'L: ALUMINUM ALLOY 5052 H-32 (RMS-199).
- PLASTISOL DIPPED (RMS-200), NOMINAL THICKNESS 1/32 (0.8).
- COLOR: BLACK.

D		SK		TOLERANCES UNLESS NOTED		FILE # NE		DWN: P.B.		APP:		DWG IN IN (MM)		FINAL		PRINT TYPE	
SEE CO 200143 FOR CHANGES		03.25.08		.XX=±.010		MAT'L: SEE NOTES		DT: 01-18-95		DT:		PART #		NE SERIES		CA	
SEE ECN #927 FOR CHANGES		01.31.05		.XX=±.005		RE: RICHCO, INC.		RICHCO INC.									
DRAWING UPDATED AND CHANGED FILE NO.		09.26.01		FRAC=±1/64													
CONVERTED TO ACAD		01.18.95		ANG=±1'													
DESCRIPTION		ENGR DATE															