

Inductive Sensors



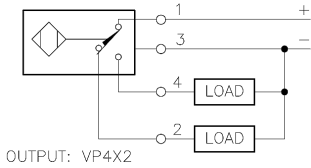
Housing Style - Rectangular	Part Number	ID Number	Features	Embeddable	Sensing Range (mm)	Output
	Bi 15-CP40-AD4X	M4477000		•	15	2-Wire DC
	Ni 20-CP40-AD4X	M4477100			20	
	Bi 15U-CP40-AN6X2	M1623512	<i>Uprox</i>	•	15	3-Wire DC NPN
	Bi 15-CP40-AN6X2	M1623000		•	15	
	Ni 20-CP40-AN6X2	M1623100			20	
	Ni 25U-CP40-AN6X2	M1623711	<i>Uprox</i>		25	
	Ni 40U-CP40-AN6X2	M1623610	<i>Uprox, Ext. Range</i>		40	
	Bi 15-CP40-AN6X2/S97	M1623001	<i>Low Temp -40° C</i>	•	15	
	Bi 15U-CP40-AP6X2	M1623502	<i>Uprox</i>	•	15	3-Wire DC PNP
	Bi 15-CP40-AP6X2	M1603000		•	15	
	Ni 20-CP40-AP6X2	M1603100			20	
	Ni 25U-CP40-AP6X2	M1623701	<i>Uprox</i>		25	
	Ni 40U-CP40-AP6X2	M1623602	<i>Uprox</i>		40	
	Ni 50U-CP40-AP6X2	M1625842	<i>Uprox, Ext. Range</i>		50	
	Bi 15U-CP40-VN4X2	M1540511	<i>Uprox</i>	•	15	4-Wire NPN
	Bi 15-CP40-VN4X2	M1525000	Comp. Outputs	•	15	
	Bi 15-CP40-VN4X2/S100	M1514400	High Temp. 100°C	•	15	
	Bi 20-CP40-VN4X2	M1579221	Ext. Range	•	20	
	Ni 20-CP40-VN4X2	M1525100	Comp. Outputs		20	
	Ni 20-CP40-VN4X2/S100	M1527200	High Temp. 100°C		20	
	Ni 20NF-CP40-VN4X2	M1528200	<i>Nonferrous</i>		20	
	Ni 35-CP40-VN4X2	M1525400	Comp. Outputs		35	
	Ni 40U-CP40-VN4X2	M1540611	<i>Uprox, Ext. Range</i>		40	
	Ni 50U-CP40-VN4X2	M1625807	<i>Uprox</i>		50	
	Bi 15U-CP40-VP4X2	M1540501	<i>Uprox</i>	•	15	4-Wire PNP
	Bi 15-CP40-VP4X2	M1501000	Comp. Outputs	•	15	
	Bi 15-CP40-VP4X2/S100	M1501900	High Temp. 100°C	•	15	
	Bi 20-CP40-VP4X2	M1501200	Ext. Range	•	20	
	Ni 20-CP40-VP4X2	M1501100	Comp. Outputs		20	
	Ni 20-CP40-VP4X2/S100	M1502000	High Temp. 100°C		20	
	Ni 20NF-CP40-VP4X2	M1508200	<i>Nonferrous</i>		20	
	Ni 35-CP40-VP4X2	M1501400	Comp. Outputs		35	
	Ni 40U-CP40-VP4X2	M1540601	<i>Uprox, Ext. Range</i>		40	
	Ni 50U-CP40-VP4X2	M1538303	<i>Uprox</i>		50	
	Bi 15U-CP40-ASIX2	M1901003	<i>Uprox</i>	•	15	2-Wire ASI-BUS
	Ni 40U-CP40-ASIX2	M1901008	<i>Uprox</i>		40	



Voltage	Switching Freq. (Hz)	Operating Current (mA)	Operating Temp. (°C)	Protection	Housing	Front Cap/Face	Power LED	Output LED	Mating Cord, Cable Length/Jacket	Wiring Diagram #	Wiring Diagrams
10-65 VDC	150	≤100	-25 to +70	IP 67	PBT	PBT	N/A	YE	- - - -	1	Diagram 1
	150	≤100	-25 to +70	IP 67	PBT	PBT	N/A	YE	- - - -	1	
10-30 VDC	250	≤200	-30 to +85	IP 67	PBT	PBT	GN	YE	- - - -	2	Diagram 2
	150	≤200	-25 to +70	IP 67	PBT	PBT	GN	YE	- - - -	2	
	150	≤200	-25 to +70	IP 67	PBT	PBT	GN	YE	- - - -	2	
	250	≤200	-30 to +85	IP 67	PBT	PBT	GN	YE	- - - -	2	
	250	≤200	-30 to +85	IP 67	PBT	PBT	GN	YE	- - - -	2	
	250	≤200	-40 to +70	IP 67	PBT	PBT	GN	YE	- - - -	2	
10-30 VDC	250	≤200	-30 to +85	IP 67	PBT	PBT	GN	YE	- - - -	3	Diagram 3
	150	≤200	-25 to +70	IP 67	PBT	PBT	GN	YE	- - - -	3	
	150	≤200	-25 to +70	IP 67	PBT	PBT	GN	YE	- - - -	3	
	250	≤200	-30 to +85	IP 67	PBT	PBT	GN	YE	- - - -	3	
	250	≤200	-30 to +85	IP 67	PBT	PBT	GN	YE	- - - -	3	
	250	≤200	-30 to +85	IP 67	PBT	PBT	GN	YE	- - - -	3	
10-65 VDC	250	≤200	-30 to +85	IP 67	PBT	PBT	GN	YE	- - - -	4	Diagram 4
	150	≤200	-25 to +70	IP 67	PBT	PBT	GN	YE	- - - -	4	
	150	≤200	-25 to +100	IP 67	PBT	PBT	GN	YE	- - - -	4	
	100	≤200	-25 to +70	IP 67	PBT	PBT	GN	YE	- - - -	4	
	150	≤200	-25 to +70	IP 67	PBT	PBT	GN	YE	- - - -	4	
	150	≤200	-25 to +100	IP 67	PBT	PBT	GN	YE	- - - -	4	
	100	≤200	0 to +60	IP 67	PBT	PBT	GN	YE	- - - -	4	
	150	≤200	-25 to +70	IP 67	PBT	PBT	GN	YE	- - - -	4	
	250	≤200	-30 to +85	IP 67	PBT	PBT	GN	YE	- - - -	4	
	250	≤200	-30 to +85	IP 67	PBT	PBT	GN	YE	- - - -	4	
10-65 VDC	250	≤200	-30 to +85	IP 67	PBT	PBT	GN	YE	- - - -	5	Diagram 5
	150	≤200	-25 to +70	IP 67	PBT	PBT	GN	YE	- - - -	5	
	150	≤200	-25 to +100	IP 67	PBT	PBT	GN	YE	- - - -	5	
	100	≤200	-25 to +70	IP 67	PBT	PBT	GN	YE	- - - -	5	
	150	≤200	-25 to +70	IP 67	PBT	PBT	GN	YE	- - - -	5	
	150	≤200	-25 to +100	IP 67	PBT	PBT	GN	YE	- - - -	5	
	100	≤200	0 to +60	IP 67	PBT	PBT	GN	YE	- - - -	5	
	150	≤200	-25 to +70	IP 67	PBT	PBT	GN	YE	- - - -	5	
	250	≤200	-30 to +85	IP 67	PBT	PBT	GN	YE	- - - -	5	
	250	≤200	-30 to +85	IP 67	PBT	PBT	GN	YE	- - - -	5	
18-33 VDC	200	N/A	-30 to +85	IP 67	PBT	PBT	GN	YE	- - - -	6	Diagram 6
	200	N/A	-30 to +85	IP 67	PBT	PBT	GN	YE	- - - -	6	

Rectangular

WIRING DIAGRAM

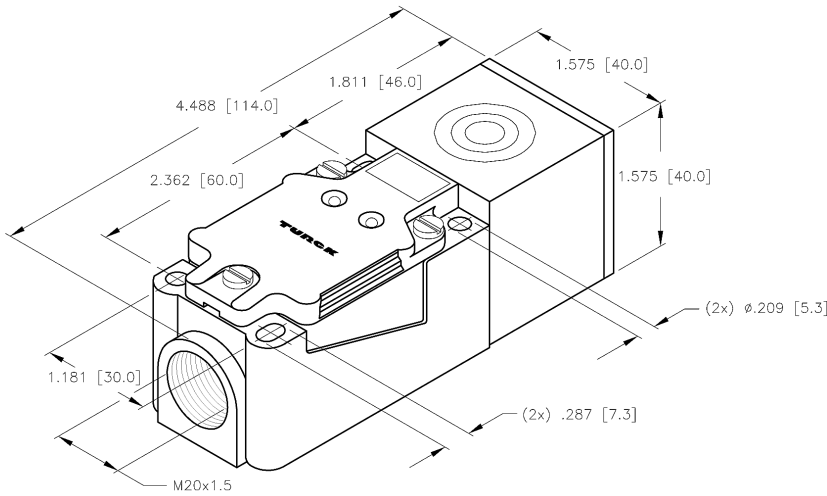


OUTPUT: VP4X2

SHORT-CIRCUIT AND OVERLOAD PROTECTED

SPECIFICATIONS

DIFFERENTIAL TRAVEL (HYSTERESIS)	3-15% (5% TYPICAL)
MAX. TEMPERATURE DRIFT	≤ ±10% C°
MIN. REPEAT ACCURACY	≤ 2%
OPERATING TEMPERATURE	-25°C to +70°C (-13°F to +158°F)
OPERATING VOLTAGE	10-65 VDC
RIPPLE	≤ 10%
RATED OPERATIONAL CURRENT	≤ 200 mA
NO-LOAD CURRENT	≤ 15 mA
OFF-STATE (LEAKAGE) CURRENT	≤ 0.1 mA
MAX. SWITCHING FREQUENCY	≤ 0.25 kHz
RATED INSULATION VOLTAGE	≤ 0.5 kV
OUTPUT FUNCTION	4-WIRE DC, CHANGE OVER, PNP
SHORT-CIRCUIT PROTECTED	YES
MAX. VOLTAGE DROP	≤ 1.8 V
WIRE-BREAK PROTECTION	INCORPORATED
REVERSE POLARITY PROTECTION	INCORPORATED
DEGREE OF PROTECTION	IP 68, CLASS 2
HOUSING MATERIAL	PBT-GF30-V0, PLASTIC
ACTIVE FACE	PBT-GF30-V0, PLASTIC
VIBRATION RESISTANCE	55 Hz, 1 mm AMPLITUDE (IN ALL 3 PLANES)
SHOCK RESISTANCE	30 g, 11 ms
SUPPLY VOLTAGE INDICATION	LED, GREEN
SWITCHING STATUS INDICATION	LED, YELLOW
RATED OPERATING DISTANCE	50 mm
MOUNTING MODE	NON-FLUSH, PARTIAL FLUSH MOUNTING POSSIBLE



SOURCE DRAWING - FOR REFERENCE ONLY

RELATED DOCUMENTS 1. 2. 3. 4.	3RD ANGLE PROJECTION 	THIS DRAWING IS PROPERTY OF TURCK INC. USE OF THIS DOCUMENT WITHOUT WRITTEN PERMISSION IS PROHIBITED.		TURCK INC High Technology Sensors and Automation Controls	
	MATERIAL PBT-GF30-V0 PLASTIC	TOLERANCES UNLESS OTHERWISE SPECIFIED .X ±0.02 .XX ±0.01 .XXX ±0.005 ANGLES ±1° ALL MILLIMETER DIMENSIONS ARE REFERENCE ONLY	DRFT RDS DSGN EH	DATE 11/14/05 SCALE NONE	DESCRIPTION NI50U-CP40-VP4X2
FINISH		UNIT OF MEASUREMENT INCH [MILLIMETER]		IDENTIFICATION NO. M1538303	REV A
A DRAWING RELEASE RDS 11/14/05	BY DATE ECO NO.	DO NOT SCALE THIS DRAWING		FILE: M1538303	SHEET 1 OF 1