

Current refinements (click to remove)

[Search Tips](#)
 [Region](#) **USA** [Product Family](#) **Multiple Stud Terminal, Vinyl Insulated – Funnel Entry** [Text Search](#): 'PV18-610R-CY'

Your search criteria matched only one product, shown below.


- Teardrop shaped mounting hole of multiple stud terminals permits use with #6, #8, or #10 size studs
- Ring tongue design assures a secure connection in high vibration applications
- Insulation support helps to prevent wire damage in bending applications
- Brazed seam protects terminal barrel from splitting during the crimp process
- UL Flammability UL 94V-0, maximum insulation temperature 221°F (105°C)
- Internal barrel serrations assure good wire contact and maximum tensile strength
- UL and CSA rated up 600 V per UL 486

‡UL and CSA approved tooling/product combinations.

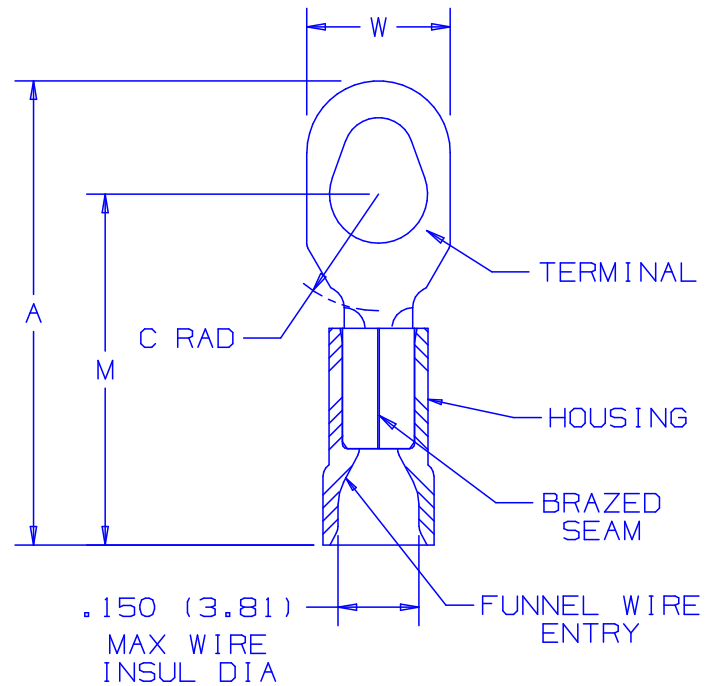
Part Number:	PV18-610R-CY
RoHS Compliancy Status:	Compliant
Note:	PV18-610R-CY replaces PV18-610R-C
Part Description:	Ring Terminal, 22 – 18 AWG, Multi Stud #6, #8, #10, vinyl insulated, funnel entry.
Product Type:	Terminals
CSA Certified:	Yes
UL Listed:	Yes
Length (In.):	1.00
Width (In.):	.31
Clearance:	.25
Max. Ins.:	.150
Panduit Color Code:	Red
Stock:	.03
Stud Size:	#6, #8, #10
Tool:	CT-100A, CT-600-A‡, CT-1550‡, CT-1551‡, CT-2500‡
Wire Range:	22 – 18 AWG
Min. Order UOM:	PC
Min. Order Qty.:	100
BOM Qty. (# of Pkgs.)	

[Add to My Catalog](#)

 Please [register](#) to utilize the 'Bill of Materials', 'Submit Quotes' and 'My Catalog' features.

THIS COPY IS PROVIDED ON A RESTRICTED BASIS AND IS NOT TO BE USED IN ANY WAY DETRIMENTAL TO THE INTERESTS OF PANDUIT CORP.

PANDUIT PART NUMBER		STUD SIZE	DIMENSIONS in.			
PREFIX	PK		A $\pm .020$ (.51)	W $\pm .010$ (.25)	C $\pm .015$ (.38)	M $\pm .020$ (.51)
PV18-610R	-C -M -MY	#6, #8, #10	1.00 (25.4)	.31 (7.9)	.25 (6.3)	.75 (19.0)



- NOTES: LISTED AND CSA CERTIFIED FOR:
- A. 600 V MAX VOLTAGE RATING
 - B. 221°F (105°C) MAX TEMP RATING
 - C. 167°F (75°C) MAX TEMP RATING WITH CT-100 TOOL
 - D. #22-18 AWG SOLID OR STRANDED, COPPER WIRE
2. PACKAGE QUANTITY:
 - A. STD: C=100
 - B. BULK: M=1000, MY=1000
 3. MATERIAL:
 - A. STAMPING: .032 (.81) THK COPPER, TIN PLATED
 - B. HOUSING: RED VINYL
 4. WIRE STRIP LENGTH: $5/16 \begin{matrix} +1/32 \\ -0 \end{matrix}$ (7.9 $\begin{matrix} +.8 \\ -0 \end{matrix}$)
 5. DIMENSIONS IN BRACKETS ARE IN MILLIMETERS
 6. INSTALLATION TOOLS:
 - A. UL LISTED AND CSA CERTIFIED WITH: CT-100, CT-500*, CT-550*, CT-1551*, CT-1550*
 - B. PANDUIT APPROVED: CT-160, CT-260, CT-400
 - * APPROVED FOR EXPANDED WIRE RANGE #22-16 AWG



LISTED
587H



CERTIFIED

A41486_04

04	5/05	JHNU		ADDED PACKAGING CODE "MY" TO DRAWING.			
03	1/01	SKB	RLS	FILESPEC WAS N41486AA_PCD_02	08933	JAC	CCH
02		JKD		ADDED CT-1551 & CT-1550 TOOL	07634		
01	2/92	BK	RLS	UPDATED AGENCY APPROVAL STATUS	00846	LCA	KRS
00	4/91	DL	DL	RELEASED ECN # 00460		LA	KS
REV	DATE	BY	CHK	DESCRIPTION	ECN	CUST	PM

PANDUIT CORP.

TINLEY PARK, ILLINOIS

#22-18 BARREL, VINYL INSULATED
MULTI-STUD TERMINAL

DRAWN BY	DRL	CHK'D	FES	SCALE	NONE	DRAWING NO.	A41486
----------	-----	-------	-----	-------	------	-------------	--------