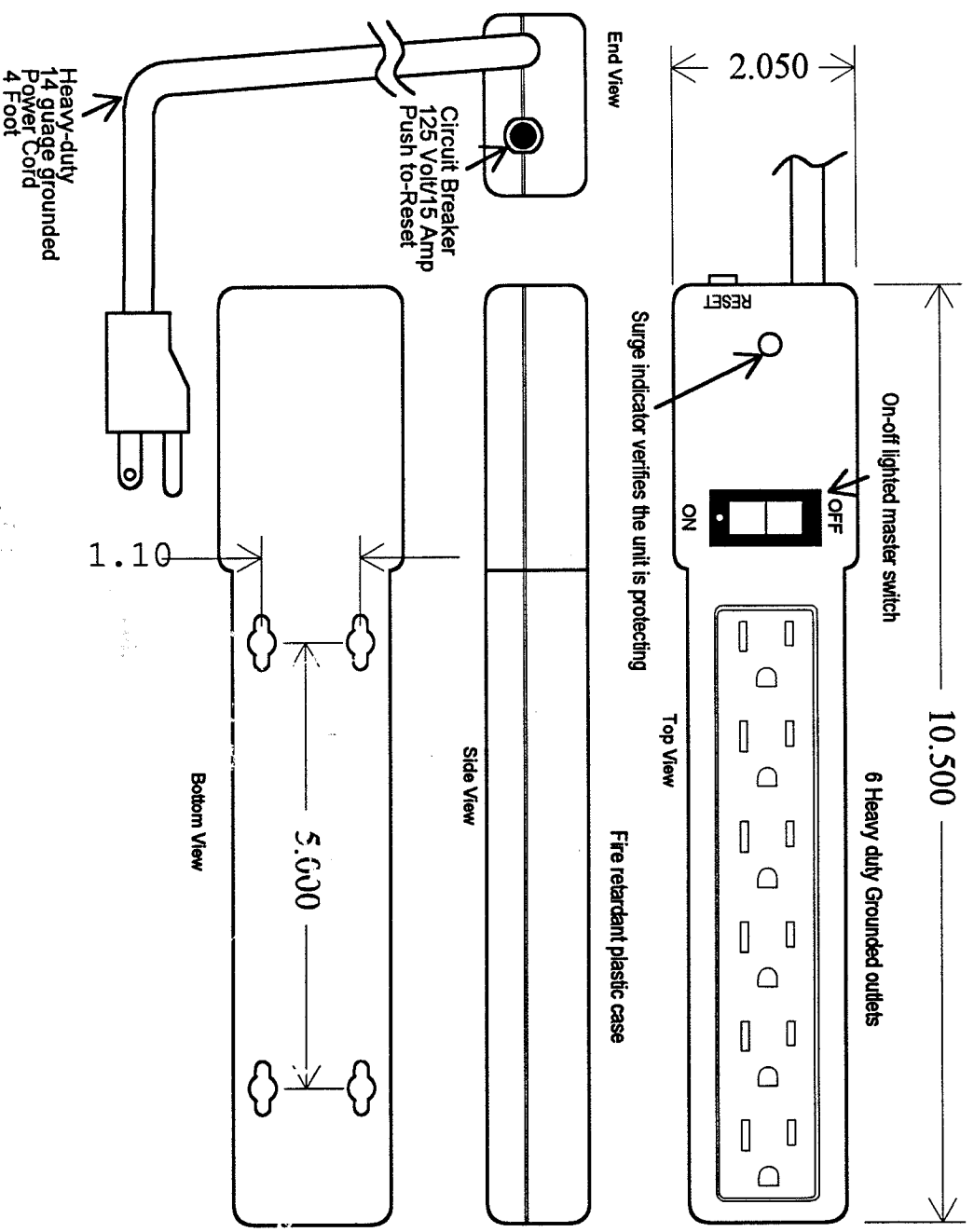


PART No. **64-661**



SPECIFICATIONS

- Electrical Rating: 125V/15A/1875W
- Maximum Surge Dissipation: 60 Joules
- Clamping Voltage: 400 Volts
- Maximum Spike Current: 4500 Amps
- Maximum Surge Voltage: 600 Volts
- Response Time: Less than one nanosecond
- Lines Protected: Hot
- UL and CSA approved

FINISH:



Six Outlet Surge Suppressor

1801 Morgan St., Rockford, IL 61102

1	2	3	4	5	6	7	8	9	10	11	12	13	14	15	16	17	18	19	20	21	22	23	24	25	26	27	28	29	30	31	32
<p>DRAFTING FEB 1996</p>																															
<p>Dimensions are in INCHES and are for reference only</p>																<p>UNSPECIFIED TOLERANCE: FRACTIONAL: 3/16" DECIMAL: .0005 SCALE: 2:1</p>															
DATE	CHANGE	NO.	CH																												
CHECKED	DRAWN																														
<i>E. Stauber</i>	<i>E. Stauber</i>																														
PART NO.																															
64-661																															