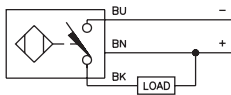
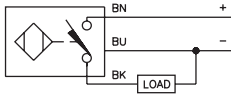
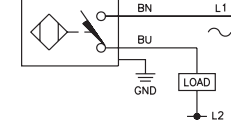
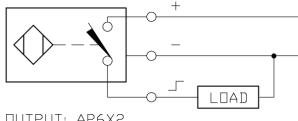
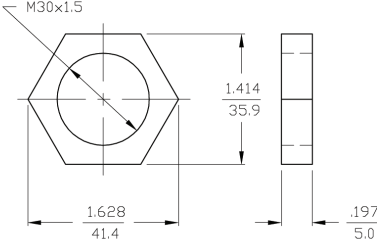
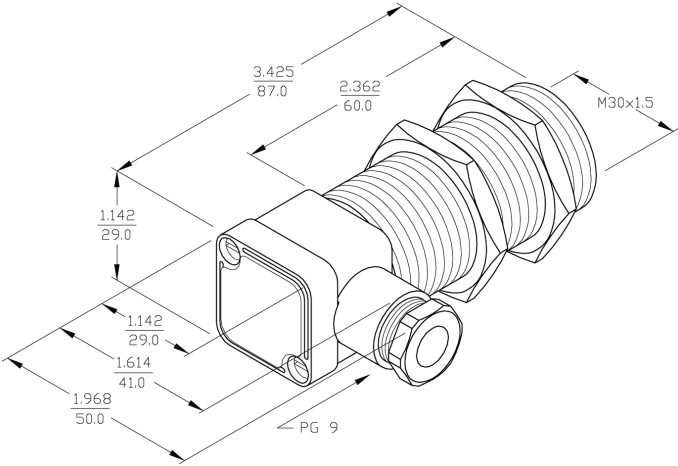
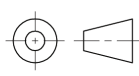
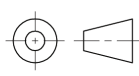
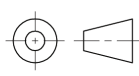


Inductive Sensors



Housing Style	Part Number	ID Number	Features	Sensing Range (mm)	Output
30 mm - Embeddable, Terminal Chamber 	Bi10-G30SK-AN6X2	T4648500		10	3-Wire DC NPN
	Bi10U-EG30SK-AN6X	M1636420	<i>Uprox</i>	10	
	Bi10-G30SK-AP6X2	T4648400		10	3-Wire DC PNP
	Bi10U-EG30SK-AP6X	M1636400	<i>Uprox</i>	10	
	Bi10-G30SK-AZ3X2	T4346400		10	2-Wire AC/DC
	30 mm - Nonembeddable, Terminal Chamber 	Ni15-G30SK-AN6X2	T4648700		15
Ni20U-EG30SK-AN6X		M1646420	<i>Uprox</i>	20	
Ni15-G30SK-AP6X2		T4648600		15	3-Wire DC PNP
Ni20U-EG30SK-AP6X		M1646400	<i>Uprox</i>	20	
Ni15-G30SK-AZ3X2		T4346500		15	2-Wire AC/DC

Voltage	Switching Freq. (Hz)	Operating Current AC/DC (mA)	Operating Temp. (°C)	Protection	Housing	Face	End Cap	Power LED	Output LED	Cable Length/ Cable /Mat.	Wiring Diagram #	Wiring Diagrams
10-30 VDC	500	≤200	-25 to +70	IP 67	CPB	PA 12	N/A	GN	YE	- - - -	1	<p>Diagram 1</p>  <p>Diagram 2</p>  <p>Diagram 3</p> 
	2000	≤200	-30 to +85	IP 68	SS	PA 12	N/A	N/A	YE	- - - -	1	
10-30 VDC	500	≤200	-25 to +70	IP 67	CPB	PA 12	N/A	GN	YE	- - - -	2	
	2000	≤200	-30 to +85	IP 68	SS	PA 12	N/A	N/A	YE	- - - -	2	
20-250 VAC 10-300 VDC	20	≤400/300	-25 to +70	IP 67	CPB	PA 12	N/A	GN	RD	- - - -	3	
10-30 VDC	500	≤200	-25 to +70	IP 67	CPB	PA 12	N/A	GN	YE	- - - -	1	
	1500	≤200	-30 to +85	IP 68	SS	PA 12	N/A	N/A	YE	- - - -	1	
10-30 VDC	500	≤200	-25 to +70	IP 67	CPB	PA 12	N/A	GN	YE	- - - -	2	
	1500	≤200	-30 to +85	IP 68	SS	PA 12	N/A	N/A	YE	- - - -	2	
20-250 VAC 10-300 VDC	20	≤400/300	-25 to +70	IP 67	CPB	PA 12	N/A	GN	RD	- - - -	3	

WIRING DIAGRAMS		LOCKNUT LN-M30		SPECIFICATIONS																																																				
 <p>OUTPUT: AP6X2</p>				<table border="1"> <tr><td>OPERATING VOLTAGE</td><td>10-30 VDC</td></tr> <tr><td>RIPPLE</td><td>≤10%</td></tr> <tr><td>DIFFERENTIAL TRAVEL (HYSTERESIS)</td><td>3-15% (5% TYPICAL)</td></tr> <tr><td>VOLTAGE DROP ACROSS CONDUCTING SENSOR</td><td>≤1.8 V at 200 mA</td></tr> <tr><td>OUTPUT FUNCTION</td><td>NORMALLY OPEN 3-WIRE DC SELF-CONTAINED</td></tr> <tr><td>TTL COMPATIBLE</td><td>NO</td></tr> <tr><td>SHORT-CIRCUIT PROTECTED</td><td>YES</td></tr> <tr><td>TRIGGER CURRENT FOR OVERLOAD PROTECTION</td><td>≥220 mA</td></tr> <tr><td>CONTINUOUS LOAD CURRENT</td><td>≤200 mA</td></tr> <tr><td>OFF-STATE (LEAKAGE) CURRENT</td><td><10 μA</td></tr> <tr><td>NO-LOAD CURRENT</td><td>5.5-9.5 mA</td></tr> <tr><td>TIME DELAY BEFORE AVAILABILITY</td><td>≤8 ms</td></tr> <tr><td>POWER-ON EFFECT PROTECTION</td><td>INCORPORATED</td></tr> <tr><td>REVERSE POLARITY PROTECTION</td><td>INCORPORATED</td></tr> <tr><td>WIRE-BREAK PROTECTION</td><td>INCORPORATED</td></tr> <tr><td>PROTECTION AGAINST TRANSIENTS</td><td>2 kV, 1 ms, 1 kΩ</td></tr> <tr><td>OPERATING TEMPERATURE</td><td>-25°C to +70°C (-13°F to +158°F)</td></tr> <tr><td>ENCLOSURE</td><td>MEETS NEMA 1, 3, 4, 6, 13 AND IEC IP67</td></tr> <tr><td>SHOCK</td><td>30 g, 11 ms</td></tr> <tr><td>VIBRATION</td><td>55 Hz, 1 mm AMPLITUDE (IN ALL 3 PLANES)</td></tr> <tr><td>LED FUNCTION</td><td>GREEN: POWER ON RED: OUTPUT ENERGIZED</td></tr> <tr><td>SENSING RANGE</td><td>10 mm = .394" (NOMINAL)</td></tr> <tr><td>SWITCHING FREQUENCY</td><td>500 Hz</td></tr> <tr><td>REPEATABILITY</td><td>≤2% of NOMINAL SENSING RANGE</td></tr> <tr><td>EMBEDDABLE (SHIELDED)</td><td>YES</td></tr> </table>		OPERATING VOLTAGE	10-30 VDC	RIPPLE	≤10%	DIFFERENTIAL TRAVEL (HYSTERESIS)	3-15% (5% TYPICAL)	VOLTAGE DROP ACROSS CONDUCTING SENSOR	≤1.8 V at 200 mA	OUTPUT FUNCTION	NORMALLY OPEN 3-WIRE DC SELF-CONTAINED	TTL COMPATIBLE	NO	SHORT-CIRCUIT PROTECTED	YES	TRIGGER CURRENT FOR OVERLOAD PROTECTION	≥220 mA	CONTINUOUS LOAD CURRENT	≤200 mA	OFF-STATE (LEAKAGE) CURRENT	<10 μA	NO-LOAD CURRENT	5.5-9.5 mA	TIME DELAY BEFORE AVAILABILITY	≤8 ms	POWER-ON EFFECT PROTECTION	INCORPORATED	REVERSE POLARITY PROTECTION	INCORPORATED	WIRE-BREAK PROTECTION	INCORPORATED	PROTECTION AGAINST TRANSIENTS	2 kV, 1 ms, 1 kΩ	OPERATING TEMPERATURE	-25°C to +70°C (-13°F to +158°F)	ENCLOSURE	MEETS NEMA 1, 3, 4, 6, 13 AND IEC IP67	SHOCK	30 g, 11 ms	VIBRATION	55 Hz, 1 mm AMPLITUDE (IN ALL 3 PLANES)	LED FUNCTION	GREEN: POWER ON RED: OUTPUT ENERGIZED	SENSING RANGE	10 mm = .394" (NOMINAL)	SWITCHING FREQUENCY	500 Hz	REPEATABILITY	≤2% of NOMINAL SENSING RANGE	EMBEDDABLE (SHIELDED)	YES	
OPERATING VOLTAGE	10-30 VDC																																																							
RIPPLE	≤10%																																																							
DIFFERENTIAL TRAVEL (HYSTERESIS)	3-15% (5% TYPICAL)																																																							
VOLTAGE DROP ACROSS CONDUCTING SENSOR	≤1.8 V at 200 mA																																																							
OUTPUT FUNCTION	NORMALLY OPEN 3-WIRE DC SELF-CONTAINED																																																							
TTL COMPATIBLE	NO																																																							
SHORT-CIRCUIT PROTECTED	YES																																																							
TRIGGER CURRENT FOR OVERLOAD PROTECTION	≥220 mA																																																							
CONTINUOUS LOAD CURRENT	≤200 mA																																																							
OFF-STATE (LEAKAGE) CURRENT	<10 μA																																																							
NO-LOAD CURRENT	5.5-9.5 mA																																																							
TIME DELAY BEFORE AVAILABILITY	≤8 ms																																																							
POWER-ON EFFECT PROTECTION	INCORPORATED																																																							
REVERSE POLARITY PROTECTION	INCORPORATED																																																							
WIRE-BREAK PROTECTION	INCORPORATED																																																							
PROTECTION AGAINST TRANSIENTS	2 kV, 1 ms, 1 kΩ																																																							
OPERATING TEMPERATURE	-25°C to +70°C (-13°F to +158°F)																																																							
ENCLOSURE	MEETS NEMA 1, 3, 4, 6, 13 AND IEC IP67																																																							
SHOCK	30 g, 11 ms																																																							
VIBRATION	55 Hz, 1 mm AMPLITUDE (IN ALL 3 PLANES)																																																							
LED FUNCTION	GREEN: POWER ON RED: OUTPUT ENERGIZED																																																							
SENSING RANGE	10 mm = .394" (NOMINAL)																																																							
SWITCHING FREQUENCY	500 Hz																																																							
REPEATABILITY	≤2% of NOMINAL SENSING RANGE																																																							
EMBEDDABLE (SHIELDED)	YES																																																							
<p>SHORT-CIRCUIT AND OVERLOAD PROTECTED</p>				<table border="1"> <tr><td>MATERIAL</td><td>BRASS BARREL</td><td>3RD ANGLE PROJECTION</td><td colspan="2" rowspan="2"></td><td rowspan="2">TURCK INC</td></tr> <tr><td>FINISH</td><td>COPPER/NICKEL CHROME PLATING</td></tr> <tr><td>DRWN</td><td>GMB</td><td>DATE</td><td>3/7/88</td><td>PART NO.</td><td rowspan="2">B110-G30SK-AP6X2</td></tr> <tr><td>CHKD</td><td></td><td>DATE</td><td></td><td></td></tr> <tr><td>TMI</td><td></td><td></td><td></td><td>SIZE</td><td>ID NO.</td><td>REV</td></tr> <tr><td></td><td></td><td></td><td></td><td>B</td><td>4648400</td><td>A</td></tr> <tr><td colspan="4">DIMENSIONS ARE IN INCHES</td><td>SCALE</td><td>NONE</td><td>BMTC-D\4648400</td><td>SHEET</td><td>OF</td></tr> <tr><td colspan="4"></td><td></td><td></td><td></td><td></td><td></td></tr> </table>		MATERIAL	BRASS BARREL	3RD ANGLE PROJECTION			TURCK INC	FINISH	COPPER/NICKEL CHROME PLATING	DRWN	GMB	DATE	3/7/88	PART NO.	B110-G30SK-AP6X2	CHKD		DATE			TMI				SIZE	ID NO.	REV					B	4648400	A	DIMENSIONS ARE IN INCHES				SCALE	NONE	BMTC-D\4648400	SHEET	OF									
MATERIAL	BRASS BARREL	3RD ANGLE PROJECTION			TURCK INC																																																			
FINISH	COPPER/NICKEL CHROME PLATING																																																							
DRWN	GMB	DATE	3/7/88	PART NO.	B110-G30SK-AP6X2																																																			
CHKD		DATE																																																						
TMI				SIZE	ID NO.	REV																																																		
				B	4648400	A																																																		
DIMENSIONS ARE IN INCHES				SCALE	NONE	BMTC-D\4648400	SHEET	OF																																																
<table border="1"> <tr><td>A</td><td>SEE REVISION DOCUMENT G30SKANG</td><td>SWC</td><td>9/9/93</td><td></td></tr> <tr><td>REV</td><td>DESCRIPTION</td><td>DRFT</td><td>DATE</td><td>CHKD</td></tr> <tr><td colspan="5" style="text-align: center;">REVISIONS</td></tr> </table>		A	SEE REVISION DOCUMENT G30SKANG	SWC	9/9/93		REV	DESCRIPTION	DRFT	DATE	CHKD	REVISIONS																																												
A	SEE REVISION DOCUMENT G30SKANG	SWC	9/9/93																																																					
REV	DESCRIPTION	DRFT	DATE	CHKD																																																				
REVISIONS																																																								