

VAL-SQ SI 40-2S-120

Order No.: 2800005

<http://eshop.phoenixcontact.de/phoenix/treeViewClick.do?UID=2800005>

Surge protection device for 2-phase, 120 V applications with separate Gnd-N. Provides 40 kA protection per phase. Compact, NEMA 4X enclosure installs in limited space.

Commercial data

EAN	4046356347488
Pack	1 pcs.
Customs tariff	85363030
Weight/Piece	0.7207 KG

<http://www.download.phoenixcontact.com>
Please note that the data given here has been taken from the online catalog. For comprehensive information and data, please refer to the user documentation. The General Terms and Conditions of Use apply to Internet downloads.

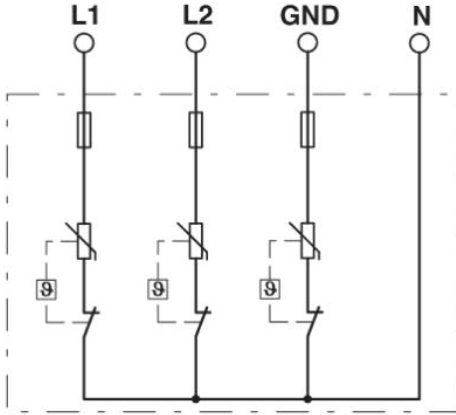
Certificates / Approvals

Certification

CUL Listed, GOST, UL Listed

Drawings

Circuit diagram



Address

PHOENIX CONTACT Inc., USA
586 Fulling Mill Road
Middletown, PA 17057, USA
Phone (800) 888-7388
Fax (717) 944-1625
<http://www.phoenixcon.com>



© 2009 Phoenix Contact
Technical modifications reserved;