

CTX110607-R

XFMR,CCFL,3-6W,8VDC, 9

Product Information	
Product Type:	Transformer
Product Family:	Magnetics
Brand:	Coiltronics

Physical Properties	
Dimensions:	26in. (L) × 16.5in. (W) × 6.5in. (H)
Number of Terminals, Pins, or Leads:	7

Mechanical Properties	
Frequencies:	<ul style="list-style-type: none"> • Minimum: 40000 • Maximum: 80000

Electrical Properties	
Input Voltages:	<ul style="list-style-type: none"> • Nominal: 6
Open Circuit Inductance:	27
Output Power:	6

Description

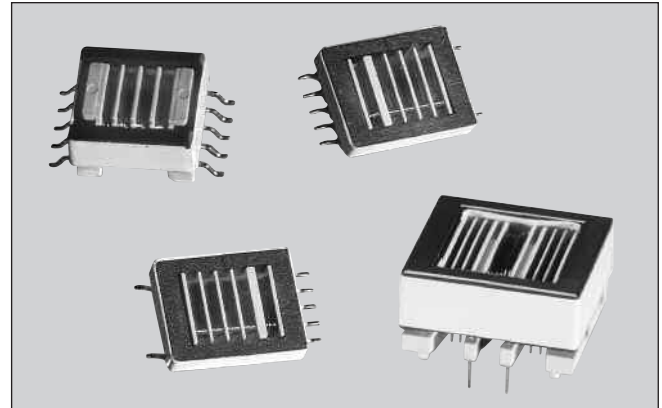
- Transformers for use in CCFL power supplies, available in through-hole and surface mount recess or gull wing versions, incorporating floating or fixed secondary technology
- Supply output current up to 30 milli-Amps
- Frequency range from 40 to 80 KHz
- Deliver output power from 2.5 to 14 Watts
- Operate in royer and other topologies
- Ferrite core material

Applications

- CCFL power supplies

Environmental Data

- Storage temperature range: -40°C to +85°C
- Operating ambient temperature range: 0°C to +70°C
- Solder reflow temperature: +260°C max. for 10 seconds max.



Packaging

- Supplied in bulk packaging

Part Number	Schematic Diagram	Pout Watts	Lp μ H ¹	DCRp Ohms Max	DCRs Ohms Max	TR Ns/Np	Vpri Volts Max ²	Vsec Volts Max ²	Is Max A rms	Vpri Abnormal ³	Vsec Abnormal ³	Mechanical Dimensions	PCB Pad Layout
2.5 WATT VERSIONS													
CTX110652-R	A	2.5	43	0.220	285	67	20	1340	.005	30	2000	A	A
CTX110655-R	B	2.5	43	0.220	285	67	20	1340	.005	30	2000	A	A
CTX110657-R	B	2.5	26	0.212	285	86	15	1340	.005	23	2000	A	A
CTX110659-R	B	2.5	19	0.190	285	100	13	1340	.005	23	2000	A	A
CTX210652-R	A	2.5	43	0.220	285	67	20	1340	.005	30	2000	B	B
CTX210655-R	B	2.5	43	0.220	285	67	20	1340	.005	30	2000	B	B
CTX210657-R	B	2.5	26	0.212	285	86	15	1340	.005	23	2000	B	B
CTX210659-R	B	2.5	19	0.190	285	100	13	1340	.005	23	2000	B	B
4 WATT VERSIONS													
CTX210403-R	C	4	44	0.220	165	50	26	1340	.007	40	2000	C	C
CTX210407-R	C	4	27	0.160	220	86	15	1340	.007	23	2000	C	C
CTX210409-R	C	4	20	0.160	220	100	13	1340	.007	23	2000	C	C
CTX210411-R	C	4	20	0.160	330	125	10	1340	.007	16	2000	C	C
CTX310403-R	C	4	44	0.220	165	50	26	1340	.007	40	2000	D	D
CTX310407-R	C	4	27	0.160	220	86	15	1340	.007	23	2000	D	D
CTX310409-R	C	4	20	0.160	220	100	13	1340	.007	23	2000	D	D
CTX310411-R	C	4	20	0.160	330	125	10	1340	.007	16	2000	D	D
6 WATT VERSIONS													
CTX110600-R	D	6	44	0.160	176	67	20	1340	.011	30	2000	E	E
CTX110603-R	C	6	44	0.160	132	50	26	1340	.011	40	2000	E	E
CTX110605-R	C	6	44	0.160	176	67	20	1340	.011	30	2000	E	E
CTX110607-R	C	6	27	0.132	176	86	15	1340	.011	23	2000	E	E
CTX110609-R	C	6	20	0.132	176	100	13	1340	.011	23	2000	E	E
CTX110611-R	C	6	20	0.132	291	125	11	1340	.011	16	2000	E	E
CTX210600-R	D	6	44	0.160	176	67	20	1340	.011	30	2000	F	C
CTX210603-R	C	6	44	0.160	132	50	26	1340	.011	40	2000	F	C
CTX210605-R	C	6	44	0.160	176	67	20	1340	.011	30	2000	F	C
CTX210607-R	C	6	27	0.132	176	86	15	1340	.011	23	2000	F	C
CTX210609-R	C	6	20	0.132	176	100	13	1340	.011	23	2000	F	C
CTX210611-R	C	6	20	0.132	291	125	11	1340	.011	16	2000	F	C
14 Watt Versions													
CTX410805-R	E	14	24	0.030	262	67	20	1340	.030	30	2000	G	F
CTX410807-R	E	14	16	0.024	272	86	15	1340	.030	23	2000	G	F
CTX410809-R	E	14	16	0.024	314	100	13	1340	.030	23	2000	G	F

¹Inductances are nominal values

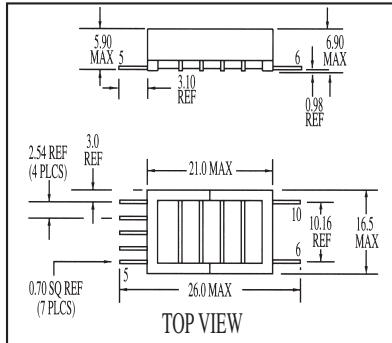
²Continuous RMS Voltage

³Maximum Instantaneous RMS Voltage

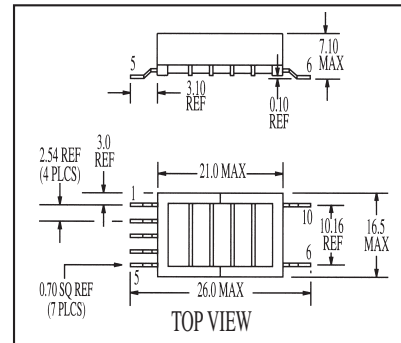
Mechanical Diagrams

6 Watt Versions

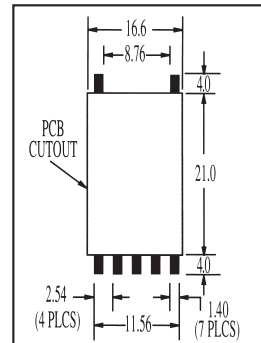
Mechanical E



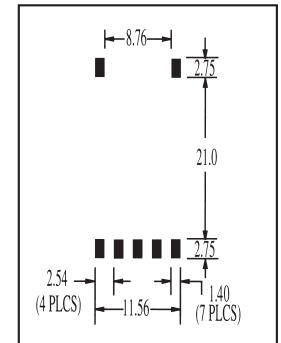
Mechanical F



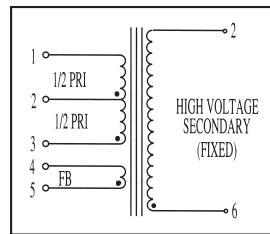
Pad Layout E



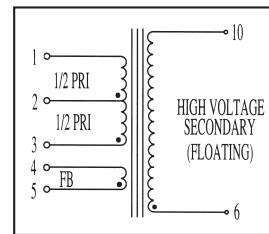
Pad Layout C



Schematic D



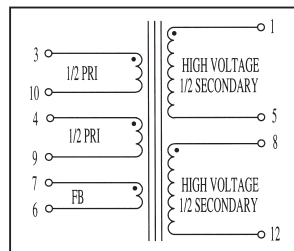
Schematic C



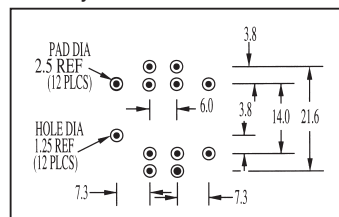
Dimensions are in millimeters

14 Watt Versions

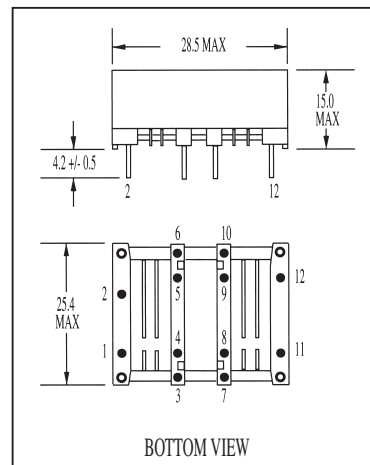
Schematic E



Pad Layout F



Mechanical G



Dimensions are in millimeters