

Current refinements (click  to remove)

[Search Tips](#) 
 Region  USA Product Family  Fork Terminal, Vinyl Insulated – Funnel Entry Text Search: 'PV18-10F-CY'

Your search criteria matched only one product, shown below.


- Fork design provides for fast and easy installation, without the need to remove fastener
- Insulation support helps to prevent wire damage in bending applications
- Brazed seam protects terminal barrel from splitting during the crimp process
- UL Flammability UL 94V-0, maximum insulation temperature 221°F (105°C)
- Internal barrel serrations assure good wire contact and maximum tensile strength
- UL and CSA rated up 600 V per UL 486

‡UL and CSA approved tooling/product combinations.

Note: Wire sizes #26 – #22 AWG, are not UL Listed or CSA Certified.

| | |
|-------------------------|--|
| Part Number: | PV18-10F-CY |
| RoHS Compliancy Status: | Compliant |
| Note: | PV18-10F-CY replaces PV18-10F-C |
| Part Description: | Fork Terminal, vinyl insulated, funnel entry, 22 –16 AWG, #10 stud size. |
| Product Type: | Terminals |
| CSA Certified: | Yes |
| UL Listed: | Yes |
| Length (In.): | .93 |
| Width (In.): | .35 |
| Clearance: | .25 |
| Max. Ins.: | .150 |
| Panduit Color Code: | Red |
| Stock: | .03 |
| Stud Size: | #10 |
| Tool: | CT-100A‡, CT-600-A‡, CT-1550‡, CT-1551‡, CT-2500‡ |
| Wire Range: | 22 – 16 AWG |
| Min. Order UOM: | PC |
| Min. Order Qty.: | 100 |
| BOM Qty. (# of Pkgs.) | |

[Add to My Catalog](#)

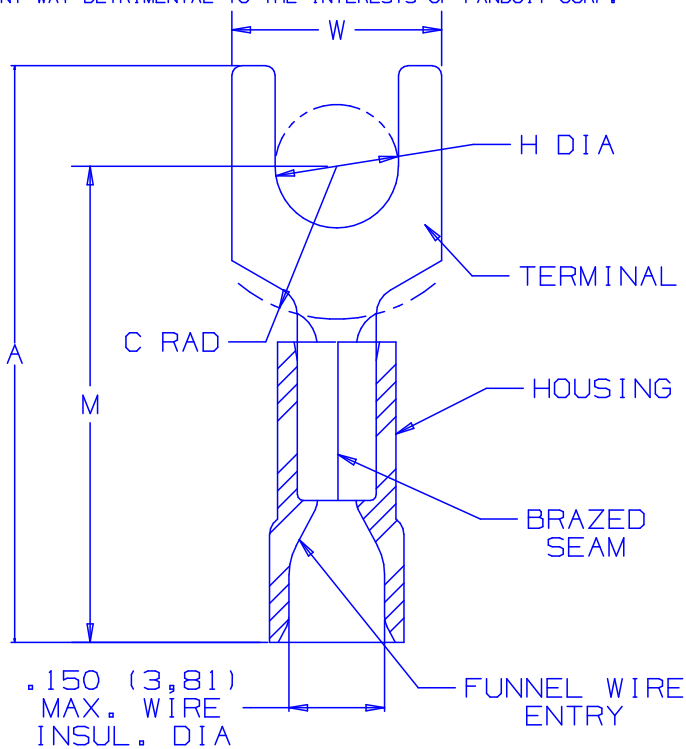
 Please [register](#) to utilize the 'Bill of Materials', 'Submit Quotes' and 'My Catalog' features.

THIS COPY IS PROVIDED ON A RESTRICTED BASIS AND IS NOT TO BE USED IN ANY WAY DETRIMENTAL TO THE INTERESTS OF PANDUIT CORP.

| PANDUIT PART NUMBER | | STUD SIZE | DIMENSIONS in. | | | | |
|---------------------|-----------------|-----------|----------------|--------------|--------------|---------------|--------------|
| PREFIX | PK | | A ±.03 | W ±.01 | C ±.02 | M ±.03 | H ±.01 |
| PV18-6F | -C -M -MY | #6 | .86 (21,8) | .30 (7,6) | .21 (5,3) | .69 (17,5) | .15 (3,8) |
| PV18-6FN* | -C -M -MY | #6 | .85 (21,6) | .24 (6,1) | .21 (5,3) | .69 (17,5) | .15 (3,8) |
| PV18-8F | -C -M -MY | #8 | .93 (23,6) | .32 (8,1) | .25 (6,4) | .73 (18,5) | .17 (4,3) |
| PV18-10F | -C -M -MY | #10 | .93 (23,6) | .35 (8,9) | .25 (6,4) | .75 (19,1) | .20 (5,1) |
| PV18-10FN* | -C -M -MY | #10 | .93 (23,6) | .31 (7,9) | .25 (6,4) | .75 (19,1) | .20 (5,1) |

Notes:

- Used for:
 - A. 600 max voltage rating (1000 V. max in signs, fixtures, & luminaries)
 - B. #22-16 AWG Solid or stranded copper wire range, 221°F (105°C) max temp rating with CT-1550, CT-1551 installation tools
 - C. #22-18 AWG Solid or stranded copper wire range, 167°F (75°C) max temp rating with CT-100 installation tool
- Wire strip length: 5/16 ^{+1/32} ₀ (7,9 ^{+0.8} ₀)
- Package Quantity (Suffix to basic part no.):
 - A. Standard -C=100
 - B. Bulk -M=1000, -MY=1000
- Material:
 - A. Stamping: .032 (.81) thick tin plated copper
 - B. Housing: Red vinyl
- Dimensions in brackets are in millimeters



* PV18-6FN and PV18-10FN are not UL listed or CSA certified.



LISTED
587H
E52164



CERTIFIED
LR31212

A41194_06



TINLEY PARK, ILLINOIS

2PC. VINYL INSULATED,
#22-18 BARREL, FORKS

| | | | | | | | |
|-----|-------|--------|-----|---|-------|------|------|
| 06 | 5/05 | JHNU | | ADDED PACKAGING CODE "MY" TO DRAWING. | | | |
| 05 | 1/01 | KMDSKB | | CAD FILE SPEC. WAS N41194AA_PCD_04 | 08938 | JAC | CCH |
| 04 | 11/00 | EJS | | MAX. WIRE INSUL. DIA. WAS .158, REMOVED TOOLS CT-500, CT-550, REMOVED OBSOLETE PART PV18-14F, UPDATED NOTE 1-A TO 1000 V. MAX IN SIGNS, FIXTURES & LUMINARIES, ADDED NOTE "A" | 08839 | | |
| 03 | 5/99 | JKDSKB | | ADDED CT-1551 & CT-1550 TOOLS | 07634 | JW | TRO |
| 02 | 1/95 | MS | RLS | UPDATED NOTES AND DIMENSIONS | 02842 | LA | TFKE |
| 01 | 3/91 | DL | DL | TANG WIDTH INCREASED PART NO PV18-6F, PV18-8F, PV18-10F | | LA | KS |
| REV | DATE | BY | CHK | DESCRIPTION | ECN # | CUST | PM |

| | | | |
|----------|-------|-------|-------------|
| DRAWN BY | CHK'D | SCALE | DRAWING NO. |
| FES | FS | NONE | A41194 |