

Series image - Reference only

EU RoHS	China RoHS				
ELV and RoHS Compliant					
<p>Search Parts in this Series 19008 Series</p> <p>Application Tooling</p> <hr/> <p>Global</p> <table border="1"><thead><tr><th data-bbox="451 1188 688 1222">Description</th><th data-bbox="693 1188 857 1222">Product #</th></tr></thead><tbody><tr><td data-bbox="451 1228 688 1262">Hand Crimp Tool</td><td data-bbox="693 1228 857 1262">0640034200</td></tr></tbody></table>		Description	Product #	Hand Crimp Tool	0640034200
Description	Product #				
Hand Crimp Tool	0640034200				

Part Number: **0190080006**

Status: **Active**

Description: Flag Krimptite™ Quick Disconnect, Female, for 18-22 (0.80-0.35) Wire, Box, Tab 6.35mm (.250") x 0.81mm (.032")

Documents:

- [Drawing \(PDF\)](#)
- [Related Catalog Page \(PDF\)](#)

Order Products:

- [Check Distributor Inventory](#)
- [Request Samples](#)

Part Detail: [\(show all\)](#)

- **General**
- **Physical**
- **Electrical**
- **Material Info**
- **Reference - Drawing Numbers**

General

Product Family	Quick Disconnects
Series	19008
Product Name	Krimptite™
Type	Quick Disconnect

Physical

Barrel Type	Closed
Gender	Female
Insulation	None
Lock to Mating Part	None
Material - Metal	Brass
Orientation	Flag
Packaging Type	Box
Polarized to Mating Part	No
Tab Thickness	0.81mm (.032")
Tab Width	6.35mm (.250")
Temperature Range - Operating	Per Wire Specification
Termination Interface: Style	Crimp or Compression
Wire Size AWG	18
Wire Size AWG	20
Wire Size AWG	22
Wire Size mm ²	0.35 - 0.80

Electrical

CSA	LR18689
UL	E79133
Voltage - Maximum	PER WIRE SPECIFICATION

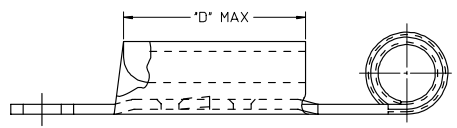
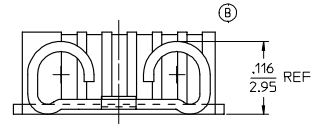
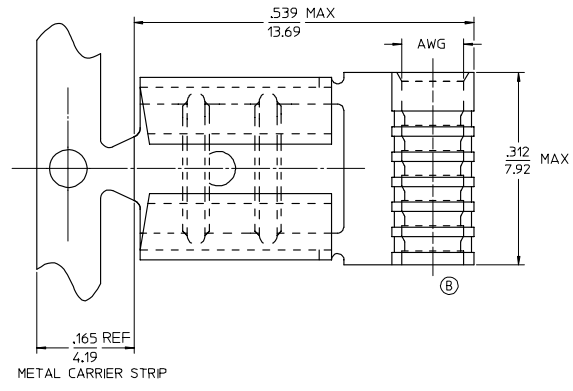
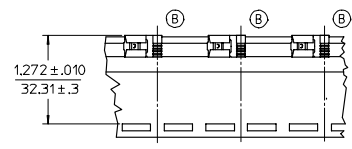
Material Info

Old Part Number	AA-1158
-----------------	---------

Reference - Drawing Numbers

Sales Drawing	SD-19008-013
---------------	--------------

MATERIAL NUMBER ON STRIP	ENGINEERING NUMBER ON STRIP	MATERIAL NUMBER LOOSE PIECE	ENGINEERING NUMBER LOOSE PIECE	TAPE MATERIAL NUMBER	TAPE ENGINEERING NUMBER	AWG	TAB SIZE	D MAX
190080008	AAZ-1147	190080001	AA-1147	190080004	AA-1147T	22-18	.187 X .020	.257/6.53
190080009	AAZ-1147-032	190080002	AA-1147-032	190080003	AA-1147-032T	22-18	.187 X .032	.257/6.53
190080013	AAZ-1158	190080006	AA-1158	190080007	AA-1158T	22-18	.250 X .032	.312/7.92
190080028	BBZ-1148	190080019	BB-1148	190080022	BB-1148T	16-14	.187 X .020	.257/6.53
190080029	BBZ-1148-032	190080020	BB-1148-032	190080021	BB-1148-032T	16-14	.187 X .032	.257/6.53
190080031	BBZ-1159	190080024	BB-1159	190080027	BB-1159T	16-14	.250 X .032	.312/7.92



SALES DRAWING

- NOTES:
- MATERIAL: BRASS .016/0.04 THICK. PLATING ELECTRO-TIN.
 - TAB SIZE SEE CHART.
 - WIRE AWG SEE CHART.
 - (B) PART IS ROHS COMPLIANT.

REVISED BARREL & CHART EC NO. ETC2007-0001 2006/07/13 DRAWN BY CHRIS JIMONELL 2006/07/17 APPROVED BY R DERROSS 2006/07/17	QUALITY SYMBOLS ▽=0 ▽=0	GENERAL TOLERANCES (UNLESS SPECIFIED)		DIMENSION STYLE IN/MM		SCALE NONE	DESIGN UNITS INCH	THIRD ANGLE PROJECTION
		4 PLACES ± .005	± .005	DRAWN BY BENDERLE	DATE 2005/01/25	TITLE	FLAG QD 22-18 AWG & 16-14 AWG .187X.020&.032.250X.032	
REV DESCRIPTION	3 PLACES ± .013	± .01	CHECKED BY R DERROSS	DATE 2005/01/25	APPROVED BY R DERROSS			
	2 PLACES ± .025	± .025	APPROVED BY R DERROSS		DATE 2005/01/25	MATERIAL NO. SEE CHART		
DRAFT WHERE APPLICABLE MUST REMAIN WITHIN DIMENSIONS		ANGULAR ±1/2°		MATERIAL NO. SEE CHART		DOCUMENT NO. SD-19008-013		SHEET NO. 1 OF 1
THIS DRAWING CONTAINS INFORMATION THAT IS PROPRIETARY TO MOLEX INCORPORATED AND SHOULD NOT BE USED WITHOUT WRITTEN PERMISSION								