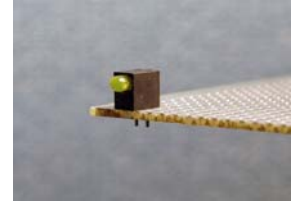


Part Number: **5510807F**

### General Description

Series	551
Configuration	3 mm Lens
Description	3 mm Blue Non-Tinted Diffused CBI
Package Options	Bulk Packaging
Sizes	3mm
Lamp Type	Single Housing
Viewing	Right Angle
Polarity	Cathode Right
Lens Style	Untinted, Diffused
Viewing Angle	70
LED Centerline	5.0mm




This is a  
RoHS Compliant Product  
[To learn more click here](#)

### Absolute Maximum Ratings (Ta = 25°)

Derating	0.44 (mA/degC)
Reverse Voltage	5
Solder Temperature	260 for 5 secs
Operating Temperature	-55 to +100
Storage Temperature	-55 to +100

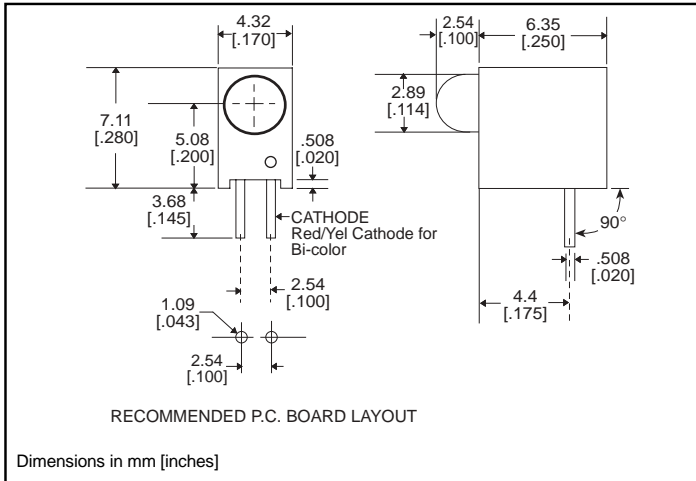
### Operating Characteristics

Color	 Blue
LED Type	High Efficiency
Peak Wave Length	428
Luminous Intensity Min	7.1
Luminous Intensity Typical	12.5
Forward Voltage Typical	3.5
Forward Voltage Max	4.1
Test Current mA	20mA
Power Dissipation Max	90mW

**3mm  
LED CBI® Circuit Board Indicator  
.200" High LED Centerline**

**Dialight**

**551-xx07**



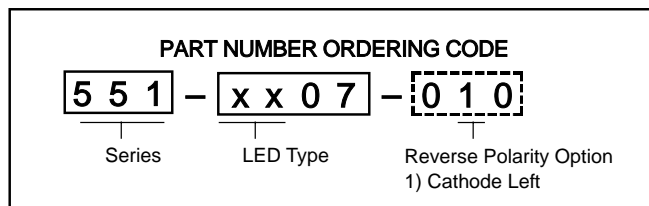
Standard Polarity shown in drawing: Cathode right

**Features**

- Multiple CBIs form horizontal LED arrays on 4.45mm (0.175") center-lines
- High Contrast, UL 94 V-0 rated, black housing
- Oxygen index: 31.5%
- Polymer content: PBT, 0.188 g
- Housing stand-offs facilitate PCB cleaning
- Solderability per MIL-STD-202F, method 208F
- LEDs are safe for direct viewing per IEC 825-1, EN-60825-1
- Compatible with:  
551-xx07-004 QuadBlock

**Tolerance note: As noted, otherwise:**

- LED Protrusion:  $\pm 0.04$  mm [ $\pm 0.016$ ]
- CBI Housing:  $\pm 0.02$ mm [ $\pm 0.008$ ]



-010 Ordering Code Suffix required ONLY for Reverse Polarity Option

**PART NO.**

**HIGH EFFICIENCY**

- 551-0207
- 551-0307
- 551-0407
- 551-0807
- 551-2507

**COLOR**

- Green
- Yellow
- Red
- Blue<sup>3</sup>
- Orange



**INTEGRAL RESISTOR, 5 VOLTS**

- 551-0507
- 551-0607
- 551-0707

- Red
- Green
- Yellow

**LOW CURRENT**

- 551-1107
- 551-1207
- 551-1307

- Red
- Yellow
- Green

**BI-COLOR**

- 551-3007
- 551-3107

- Red/Green
- Yellow/Green



To order any of the 551-xx07 part numbers with Reverse Polarity (Cathode Left), please add -010 to the part numbers shown above.



**ATTENTION**  
OBSERVE PRECAUTIONS  
FOR HANDLING  
ELECTROSTATIC  
SENSITIVE  
DEVICES

## Typical Operating Characteristics ( $T_A=25^\circ\text{C}$ )

See LED data sheet for additional information  
See page 4-70 and 4-71 for Reference Only LED Drive Circuit Examples. See page 4-72 for Pin Out

### HIGH EFFICIENCY

Part Number	Color	Peak Wavelength nm	$I_V$ mcd	$V_F$ Volts	Test Current (mA)	Viewing Angle $2\theta_{\%}$	LED Data sheet	Page #
551-0207	Green	563	16	2.1	10	45°	521-9408	4-64
551-0307	Yellow	585	6.3	2.1	10	45°	521-9428	4-64
551-0407	Red	650	10	2	10	45°	521-9427	4-64
551-0807	Blue	428	12	3.5	10	70°	521-9831	4-57
551-2507	Orange	600	7	2.2	10	60°	521-9498	4-58

### INTEGRAL RESISTOR, 5 VOLTS

Part Number	Color	Peak Wavelength nm	$I_V$ mcd	Test Voltage	Forward Current (mA)	Viewing Angle $2\theta_{\%}$	LED Data sheet	Page #
551-0507	Red	635	29	5	10	60°	521-9215	4-59
551-0607	Green	565	19	5	10	60°	521-9323	4-59
551-0707	Yellow	585	12.6	5	10	60°	521-9322	4-59

### LOW CURRENT

Part Number	Color	Peak Wavelength nm	$I_V$ mcd	$V_F$ Volts	Test Current (mA)	Viewing Angle $2\theta_{\%}$	LED Data sheet	Page #
551-1107	Red	635	1.6	1.7	2	60°	521-9324	4-60
551-1207	Yellow	585	1.6	1.8	2	60°	521-9325	4-60
551-1307	Green	565	1.6	1.9	2	60°	521-9326	4-60

### BI-COLOR

Part Number	Color	Peak Wavelength nm	$I_V$ mcd	$V_F$ Volts	Test Current (mA)	Viewing Angle $2\theta_{\%}$	LED Data sheet	Page #
551-3007	Red/Green	635/565	4.7/10	2/2.1	10	50°	521-9459	4-63
551-3107	Yellow/Green	585/565	4.3/6.3	2.1*/2.1*	10	80°	521-9478	4-62

\*  $I_F = 20\text{mA}$