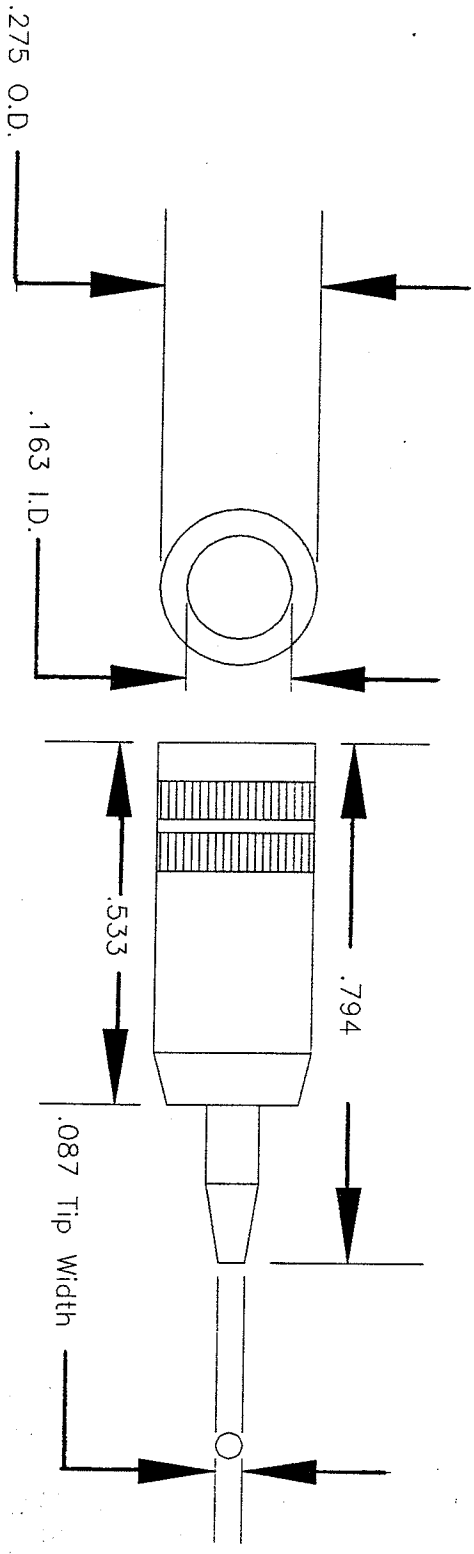


PART NO. 12-2160



DRAWINGS ARE THE PROPERTY OF GC ELECTRONICS FOR YOUR INSPECTION & APPROVAL OF GC PRODUCTS, NOT TO BE SHARED WITH ANYONE ELSE WITHOUT PRIOR WRITTEN PERMISSION FROM GC ELECTRONICS.

FINISH



1801 Morgan St., Rockford, IL 61102

NAME: Desoldering Tip
 MATL:

DRAWN: Don D.
 CHECKED:

DATE: 11/11/91
 PART NO. 12-2160

SCALE		DIMENSIONS		CH	NO.	CHANGE	DATE