
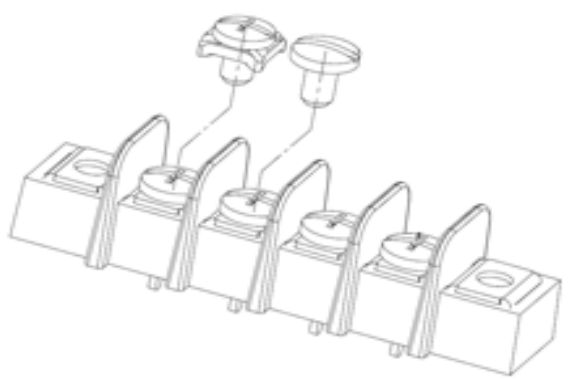


Need Assistance?

- o Contact Us
- o Find a Distributor
- o Order Samples
- o Tech Library

 [Printer-friendly page](#)

 [Email this page](#)



Series image - Reference only

EU RoHS China RoHS

ELV and RoHS Compliant



Lead-free Process CapabilityWave Capable (TH only)

Search Parts in this Series

38720 Series

Mates With

N/A

Part Number:0387206214


Status:Active

Description:9.53mm (.375") Pitch Beau™ PCB Terminal Strip, with Mounting Ends, 14 Circuits

Documents:

- o Drawing (PDF)
- o Related Catalog Page (PDF)

Order Products:

 [Check Distributor Inventory](#)

[Request Samples](#)

Part Detail: (show all)

- o **General**

- **Physical**
- **Electrical**
- **Material Info**
- **Reference - Drawing Numbers**

General

Product Family	Terminal Blocks
Series	<u>38720</u>
Application	Wire-to-Board
Component Type	One Piece
Product Name	Fixed Mount Barrier
Type	Barrier Strip

Physical

Circuits (Loaded)	14
Circuits (maximum)	14
Color - Resin	Black
Entry Angle	Horizontal
Lock to Mating Part	None
Material - Metal	Brass
Material - Resin	Polyester
Number of Rows	1
Orientation	N/A
PC Tail Length (in)	0.190 In
PC Tail Length (mm)	4.80 mm
PCB Retention	Yes
Panel Mount	No
Pitch - Mating Interface (in)	0.375 In
Pitch - Mating Interface (mm)	9.53 mm
Pitch - Term. Interface (in)	0.375 In
Pitch - Term. Interface (mm)	9.52 mm
Polarized to Mating Part	No
Shrouded	Dual-Barrier
Stackable	No
Surface Mount Compatible (SMC)	No
Temperature Range - Operating	-40°C to +130°C
Wire Size AWG	14
Wire Size AWG	16
Wire Size AWG	18
Wire Size AWG	20
Wire Size AWG	22
Wire Size mm ²	0.50 - 1.50

Electrical

Current - Maximum	15.000 Amp
Voltage - Maximum	300V

Material Info

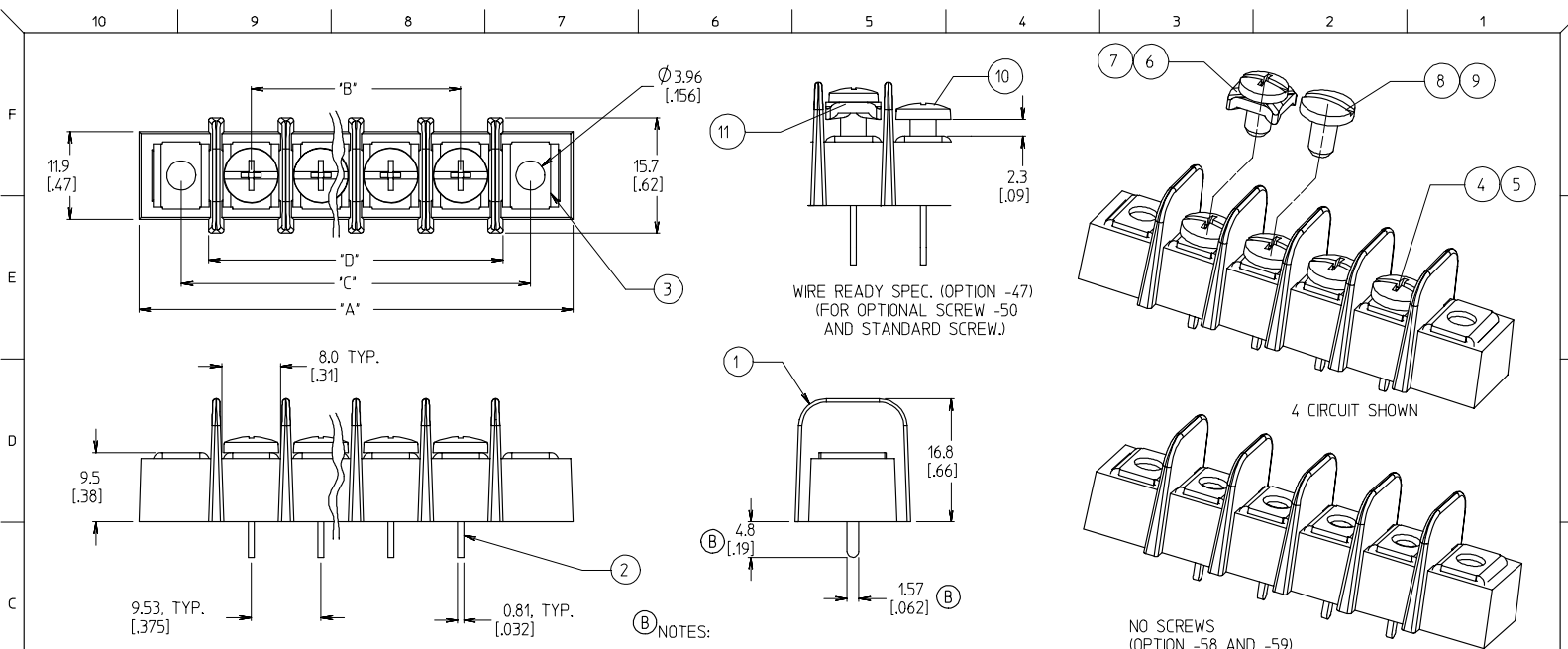
Old Part Number 72514

Reference - Drawing Numbers

Sales Drawing SD-38720-001

[Feedback](#)[Privacy](#)[Legal](#)[Site Map](#)[Help](#)

Copyright 2005-2008



NOTES:

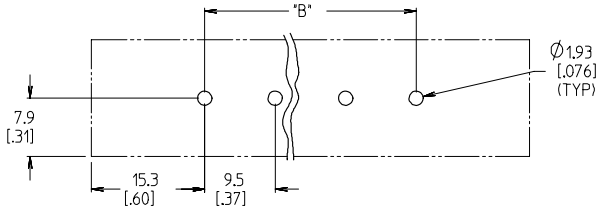
1. MATERIAL: SEE TABLE
2. FINISHES: SEE TABLE
3. INCH DIMENSIONS ARE IN BRACKETS (XXX).
4. REFER TO SD-38120-001 FOR IMPRINTING OPTIONS 10A AND 11A.
5. REFER TO SD-38120-007 FOR IMPRINTING OPTION 12A.
6. 'XX' REFERS TO THE QUANTITY OF CIRCUITS.
7. ALL COMPONENTS ARE ROHS COMPLIANT.

11	XX	#6-32 WRDY W/WASH SCR (-47,-50)	STEEL	ZN, CLEAR CHROMATE
10	XX	#6-32 PH/SLOT WRDY SCR (OPT -47)	STEEL	ZN, CLEAR CHROMATE
9	XX	#6-32 SLOTTED SCREW (OPT -56)	STAINLESS STEEL	PASSIVATE
8	XX	#6-32 SLOTTED SCREW (OPT -45)	STEEL	ZN, CLEAR CHROMATE
7	XX	#6-32 PH/SL W/WASH SCR (-49,-50)	BRASS	NICKEL
6	XX	#6-32 PH/SL W/WASH SCR (OPT -50)	STEEL	ZN, CLEAR CHROMATE
5	XX	#6-32 PH/SLOTTED SCREW (OPT -49)	BRASS	NICKEL
4	XX	#6-32 PH/SLOTTED SCREW (STD)	STEEL	ZN, CLEAR CHROMATE
3	2	MOUNTING PLATE	BRASS	NICKEL
2	XX	TERMINAL	BRASS	BRT.TIN/CU
1	1	INSULATOR, SINGLE ROW	PBT	BLACK
ITEM	QTY.	DESCRIPTION	MATERIAL	FINISH

ADD MAT. NO. EC NO: ETC2007-0166 DRAWN BY: DRW:JLW/19 CHKD: JAC/11 APPR: JAC/11 2006/10/19 2006/10/20 2006/10/20	QUALITY SYMBOLS ▽=0 ▽=0	GENERAL TOLERANCES (UNLESS SPECIFIED)		DIMENSION STYLE MM/IN	SCALE 2:1	DESIGN UNITS INCH	THIRD ANGLE PROJECTION
		4 PLACES ± --- ± --- 3 PLACES ± --- ± .005 2 PLACES ± 0.13 ± .01 1 PLACE ± 0.3 ± --- ANGULAR ± 2 °	DRAWN BY W. HOWARD 2003/10/16 CHECKED BY R. KEMP 2003/10/16 APPROVED BY P. WALTZ 2003/10/16	DATE 2003/10/16 DATE 2003/10/16 DATE 2003/10/16	TITLE 9.53MM [.375] SR BTS, PC ASSY	MATERIAL NO. SEE SHT. 2	DOCUMENT NO. SD-38720-001
DRAFT WHERE APPLICABLE MUST REMAIN WITHIN DIMENSIONS							
THIS DRAWING CONTAINS INFORMATION THAT IS PROPRIETARY TO MOLEX INCORPORATED AND SHOULD NOT BE USED WITHOUT WRITTEN PERMISSION							

MATERIAL NO. (OPT 12A)	MATERIAL NO. (OPT 11A)	MATERIAL NO. (OPT 10A)	MATERIAL NO. (OPT -59)	MATERIAL NO. (OPT -58)	MATERIAL NO. (OPT -56)	MATERIAL NO. (OPT -50)	MATERIAL NO. (OPT -49,-50)	MATERIAL NO. (OPT -49)	MATERIAL NO. (OPT -47,-50)	MATERIAL NO. (STD)	NUMBER OF CIRCUITS *XX*
		38729-1039		38729-0750	38729-0659	38729-7402	38729-1381	38729-6802		38729-6201	01
		38729-0014			38729-0791	38729-7403				38729-6202	02
38729-0872	38729-0025	38729-0940	38729-0945		38729-0839	38729-7404	38729-1159	38729-6803	38729-8603	38729-6203	03
38729-0256		38729-0346			38729-1253	38729-7405	38729-1382	38729-6804		38729-6204	04
			38729-0400	38729-0386	38729-0980	38729-7406	38729-1383	38729-6805		38729-6205	05
			38729-0423	38729-0407	38729-0435	38729-0420		38729-6806		38729-6206	06
38729-0497					38729-0508	38729-7407		38729-6807		38729-6207	07
					38729-0560	38729-7408		38729-6808		38729-6208	08
					38729-1011	38729-7409		38729-6809		38729-6209	09
			38729-0598		38729-0532	38729-7410		38729-6810		38729-6210	10
						38729-7411				38729-6211	11
					38729-1252	38729-7412		38729-6812		38729-6212	12
					38729-0809	38729-7413				38729-6213	13
					38729-0004	38729-7414		38729-6814		38729-6214	14
										38729-6215	15
										38729-6216	16
										38729-6217	17
										38729-6218	18
										38729-6219	19
										38729-6220	20
										38729-6221	21
										38729-6222	22
										38729-6223	23
										38729-6224	24
										38729-6225	25
										38729-6226	26

NUMBER OF CIRCUITS *XX*	DM. 'A'	DM. 'B'	DM. 'C'	DM. 'D'
01	30.7	121	-	19.1
02	40.1	158	9.53	28.6
03	49.7	196	19.05	38.1
04	59.2	233	28.58	47.6
05	68.7	271	38.10	57.2
06	78.2	308	47.63	66.7
07	87.8	346	57.15	76.2
08	97.3	383	66.68	85.7
09	106.8	421	76.20	95.3
10	116.3	458	85.73	104.8
11	125.9	496	95.25	114.3
12	135.4	533	104.78	123.8
13	144.9	571	114.30	133.4
14	154.4	608	123.83	142.9
15	164.0	646	133.35	152.4
16	173.5	683	142.88	161.9
17	183.0	721	152.40	171.5
18	192.5	758	161.93	181.0
19	202.1	796	171.45	190.5
20	211.6	833	180.98	200.0
21	221.1	871	190.50	209.6
22	230.6	908	200.03	219.1
23	240.2	946	209.55	228.6
24	249.7	983	219.08	238.1
25	259.2	1021	228.60	247.7
26	268.7	1058	238.13	257.2



PTH PATTERN

SEE SHEET 1 EC NO: ETC2007-0166 DRAWN BY: CHYCKE MACNEIL CHECKED BY: CHYCKE MACNEIL APPR: JMACNEIL 2006/10/19 2006/10/20 2006/10/20	QUALITY SYMBOLS	GENERAL TOLERANCES (UNLESS SPECIFIED)	DIMENSION STYLE	SCALE	DESIGN UNITS	THIRD ANGLE PROJECTION
	$\nabla=0$ $\sphericalangle=0$	mm INCH 4 PLACES ± --- ± --- 3 PLACES ± --- ± .005 2 PLACES ± 0.13 ± .01 1 PLACE ± 0.3 ± --- ANGULAR ± 2 °	MM/IN	2:1	INCH	
	DRAFT WHERE APPLICABLE MUST REMAIN WITHIN DIMENSIONS					
			DRAWN BY: W. HOWARD CHECKED BY: R. KEMP APPROVED BY: P. WALTZ DATE: 2003/10/16 DATE: 2003/10/16 DATE: 2003/10/16			TITLE: 9.53MM [.375] SR BTS, PC ASSY MOLEX INCORPORATED SD-38720-001
			MATERIAL NO. SEE CHART			DOCUMENT NO. SD-38720-001 STEEL NO. 2 OF 2
			THIS DRAWING CONTAINS INFORMATION THAT IS PROPRIETARY TO MOLEX INCORPORATED AND SHOULD NOT BE USED WITHOUT WRITTEN PERMISSION			

Beau® Barrier Strips

Beau terminal blocks provide a robust connection between wires and the PCB.

Beau terminal blocks are a great connector for their durability and versatility. Barrier strips can handle currents of up to 45.0A per circuit and all are rated for 300 or 600V. With the variety of terminal styles, screws and other options available on barrier strips, these parts can be customized in many ways.

Special additions to barrier strips such as topside hardware, marker strips and hinged covers ensure that you get the best possible connector designed specifically for your application.

Features

- Optional topside hardware allows for further customization to fit your design requirements
- Robust and durable screw terminals are ultrasonically welded into the thermoplastic insulator, reducing the risk for terminal twisting and solder joint failure
- Tri-barrier construction of some barrier strips provides a back wall to prevent over insertion and shorting
- No special tools required to terminate wires, only a No. 2 screwdriver required
- Broad range of screw and terminal options improves interconnect performance
- Various imprinting styles aid in labeling circuits for wiring, testing and repair in the field
- UL recognized and CSA approved
- RoHS and ELV compliant

Barrier Terminal Strips



Features and Benefits

- Robust and durable welded construction
- Wide variety of screw and terminal options
- Molded to exact length, no unsightly saw cuts

Reference Information

UL File No.: E48521
UL Guide No.: XCFR2
CSA File No.: 025562

Screw Only	Insulated Solder	Insulated PC	Centerline PC	Solder Turret	Centerline Wire Wrap	Centerline Right Angle PC	Insulated Fast On	Offset PC	Offset Wire Wrap	Offset Right Angle PC
All	38710 38720 38730	38710 38720 38730	38630 38710 38720 38730 38740	38630/38631 38710/38711 38720/38721 38730/38731	38631 38711 38721 38731	38711 38721 38731 38741	38711 38721 38731 38741	38700 38610	38701	38701

Circuits	Series	Pitch	Current	Voltage	Wire Range AWG	Lead-free
2-16	38630/38631	11.12 (.438)	25.0A	600V	12-24	Yes
2-30	38700/38701	8.25 (.325)	20.0A	300V	12-22	
2-26	38710/38711	9.52 (.375)	25.0A		12-24	
	38720/38721				10-24	
2-30	38730/38731/38732 38740/38741/38742	11.12 (.438)	30.0A	300V		
2-32	38610	6.35 (.250)	10.0A			