

DECLARATION OF CONFORMITY

SILVERTRONIC Ltd. confirm that the products listed below have been Designed, Manufactured and Tested to, and therefore are fully compliant to;
IEC1010-1 1990 inc. Amendment 2-1995 &
IEC1010-2-031 First Edition-1993
and thus meet THE LOW VOLTAGE DIRECTIVE (LVD)
73/23/EEC and amending directive 93/68/EEC

PRODUCT TYPE / DESCRIPTION				Test Lead Set	
PART No.				129525	
IEC1010 RATING	VOLTAGE	1000	Volts	INSULATION CATEGORY	III (3)

MAXIMUM RATED CURRENT	*20/30	Amps
POLLUTION DEGREE	2	
INSULATION CATEGORY	DOUBLE/REINFORCED	

INCLUDES FOLLOWING ASSEMBLIES / COMPONENTS SUBJECT TO INDIVIDUAL TEST.	DESCRIPTION	PART No.
	*OEM Full Safety Plug To OEM Right Angle Plug Lead	123815
	OEM Style Prod	125072
	1000V Croc. Clip	126024
	*Sprung Hook	121026



All Testing carried out by Third Party Testhouse
CRANAGE EMC TESTING Ltd.
(LVD TESTING DEPARTMENT)



www.silvertronic.com
e-mail: sales@silvertronic.com

Registration No. 1993292

North American Office
4405 Sharon Copley Road,
Medina, Ohio, 44256.
Toll Free: (866) 556 3308
Facsimile: (330) 722 2281

SILVERTRONIC
LTD.

Date
11/07/05

Drn.By
CS

Title
OEM FS TO RA LEAD
MODULAR KIT

ISSUE No.

1
11/07/05
PROD. ISSUE

Part No. **129525**

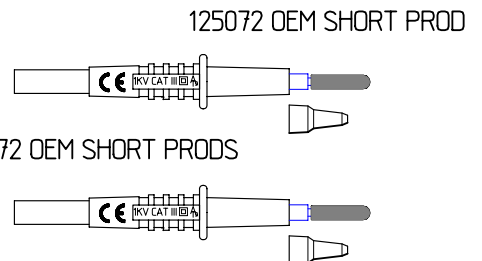
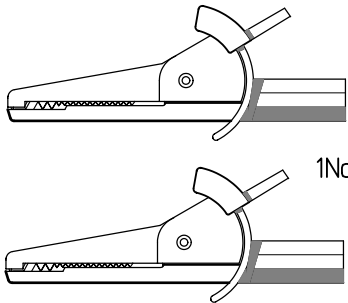
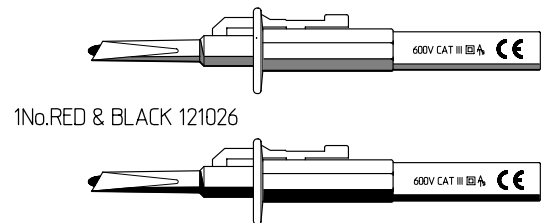
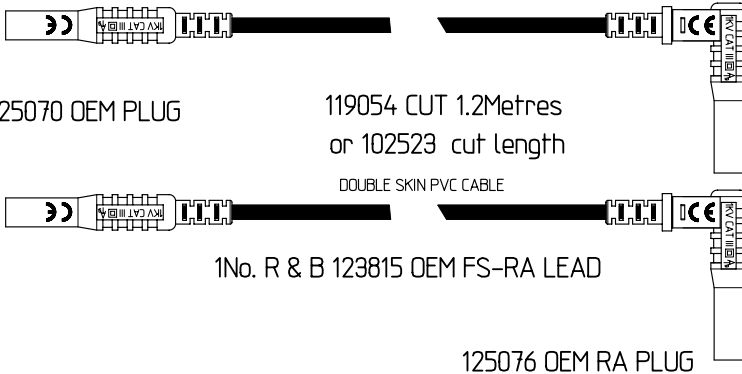
This drawing is not to be disclosed to a third party without the authority from the company.©

Scale
N.T.S.

IEC 1010 COMPLIANT RATING:
1000 VOLTS CAT III 20 AMPS MAX. POL. DEG. 2
10 AMPS CONT.

PROJECT No.

129233 OEM RA-FS LEAD SET



ASSEMBLY JIG NUMBERS
125070=J163 or 167 + 166

PACKAGING
119503 Pouch

NO PRINTING

TOLERANCES

CABLE LENGTHS +/- 5%

DO NOT SCALE.
ALL DIMENSIONS IN mm.