

Form 647-010129

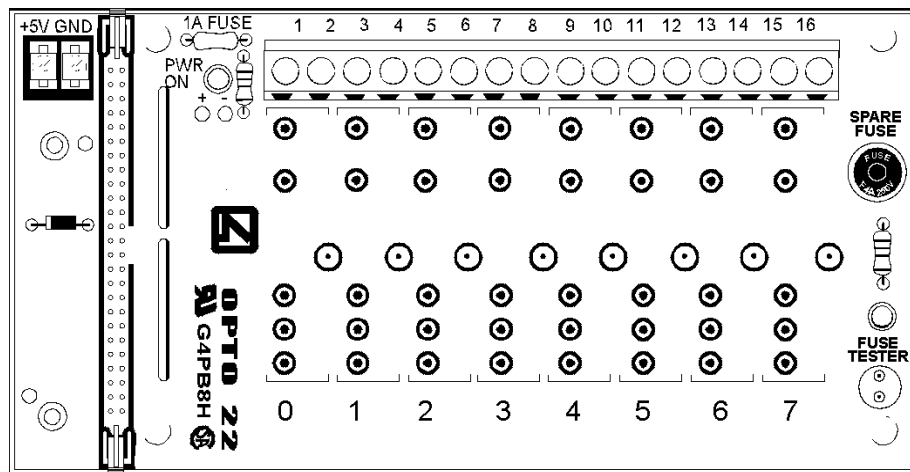
Description

The G4PB8H I/O mounting rack accommodates up to eight G4 I/O modules. A header connector accepts a standard 50-pin cable, the Optomux® B1, Pamux® B5, or B100 brain board for logic connections. Barrier strips with screw terminals provide the field and mounting rack power

Part Number	Description
G4PB8H	G4 8-Channel Rack With Header Connector

connections.

Insert and remove modules easily and quickly without disturbing field wiring. Modules are secured to the mounting rack with a threaded captive hold-down screw. The logic supply is fused with a 1A fuse.



Features

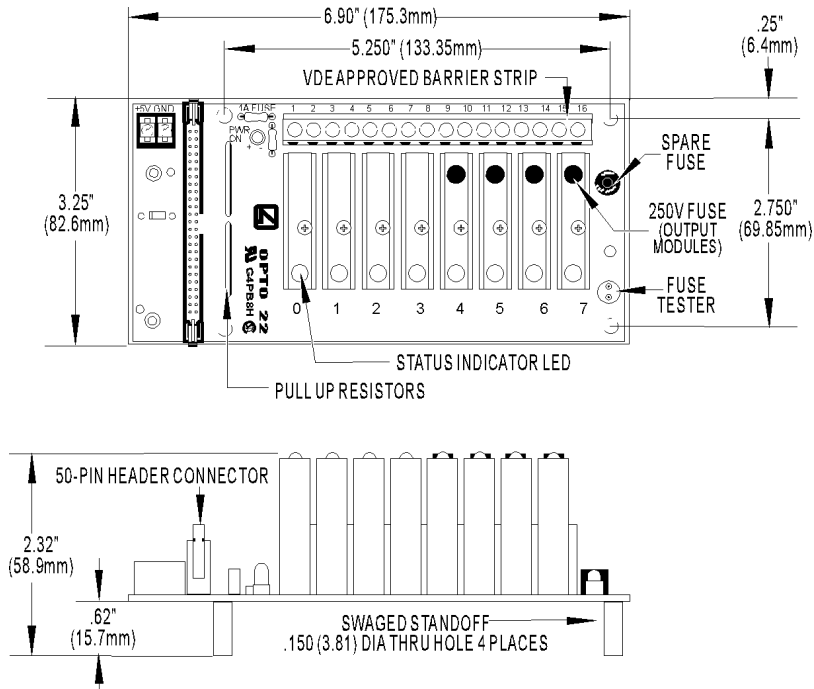
- Requires minimum panel space
- Built-in fuse tester
- Spare fuse on board
- UL recognized, CSA certified, CE approved
- May be used with Optomux B1, Pamux B5, and Mistic B100 Brain Boards
- Power indicator light
- Works with Opto 22 PBSA/B/C power supply
- Uses a single 5, 15, or 24 VDC power supply for control power

Form 647-010129

Specifications

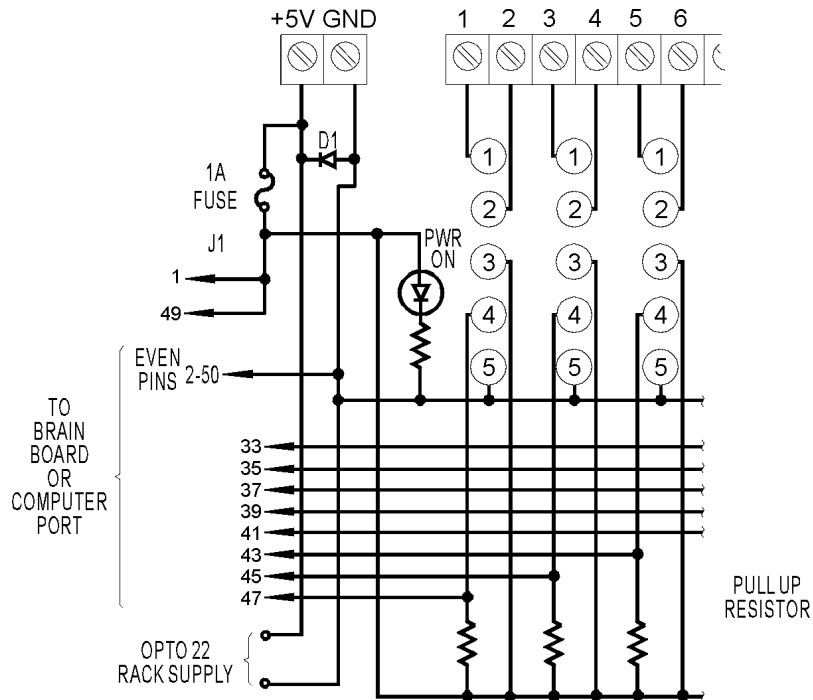
Operating temperature:	0 to 70° C 95 percent relative humidity, non-condensing
Interface connector:	
Field:	Screw-type terminal strip accommodates up to 10 AWG wire
Control:	50-conductor header connector
Power:	2-position screw terminal or Opto 22 PBSA/B/C power supply

Dimensions



Form 647-010129

Connections



Notes:

1. Even pins on control connector are connected by etch to common.
2. +VCC and return connected to terminals marked +5V and GND.
3. At each module position on the field terminal strip, the lower number is always connected to pin 1 of the I/O module.
4. Use only 5 VDC logic modules when using the mounting rack with a brain board.

Module Position	Control (Header Connector)	Field (Terminal Strip)
0	47	1 and 2
1	45	3 and 4
2	43	5 and 6
3	41	7 and 8
4	39	9 and 10
5	37	11 and 12
6	35	13 and 14
7	33	15 and 16