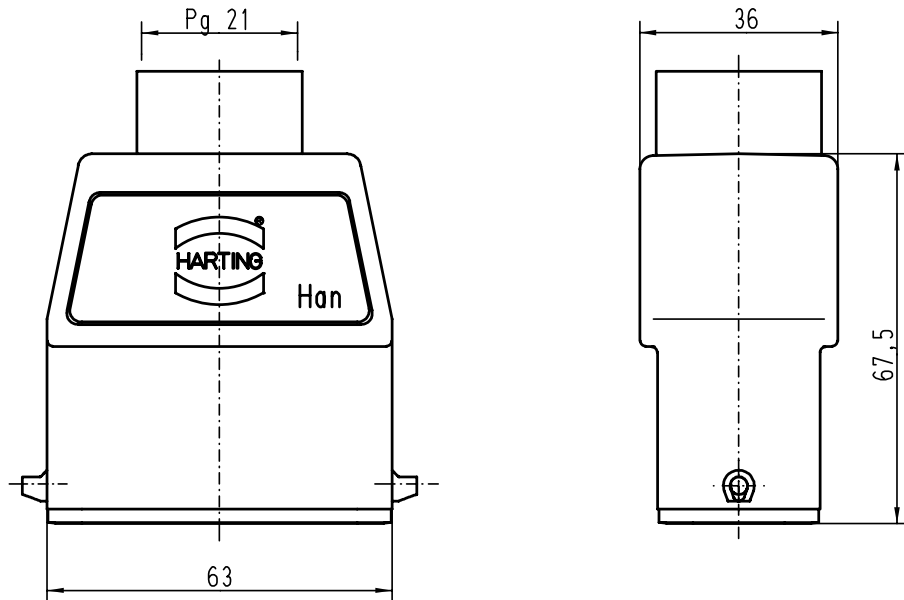
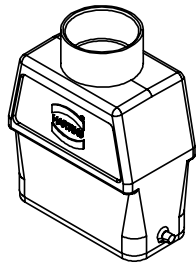


Alle Rechte vorbehalten / All rights reserved



| | | | | | | | | |
|---|------|------|-------------------|----------|------|---|---|--|
| ALL Dimensions in mm Original Size DIN A 4 | | | Techn. Character. | | | Nicht tolerierte Masse / Free size tolerances | | |
| | | | | Dat. | Name | Massstab / Scale | Han 10A-gg-Pg21 Tüllengehäuse gerader Kabelaussgang/ hoods top-entry | |
| | | | Detail. | 23.04.99 | PL | | | |
| | | | Insp. | | SDT | | | |
| | | | Stand. | | | 1:1 | TB 09 20 010 0441 | |
| 25853 | | | HARTING KGaA | | | | | |
| Mod. | Dat. | Name | D-32339 ESPELKAMP | | | | | |