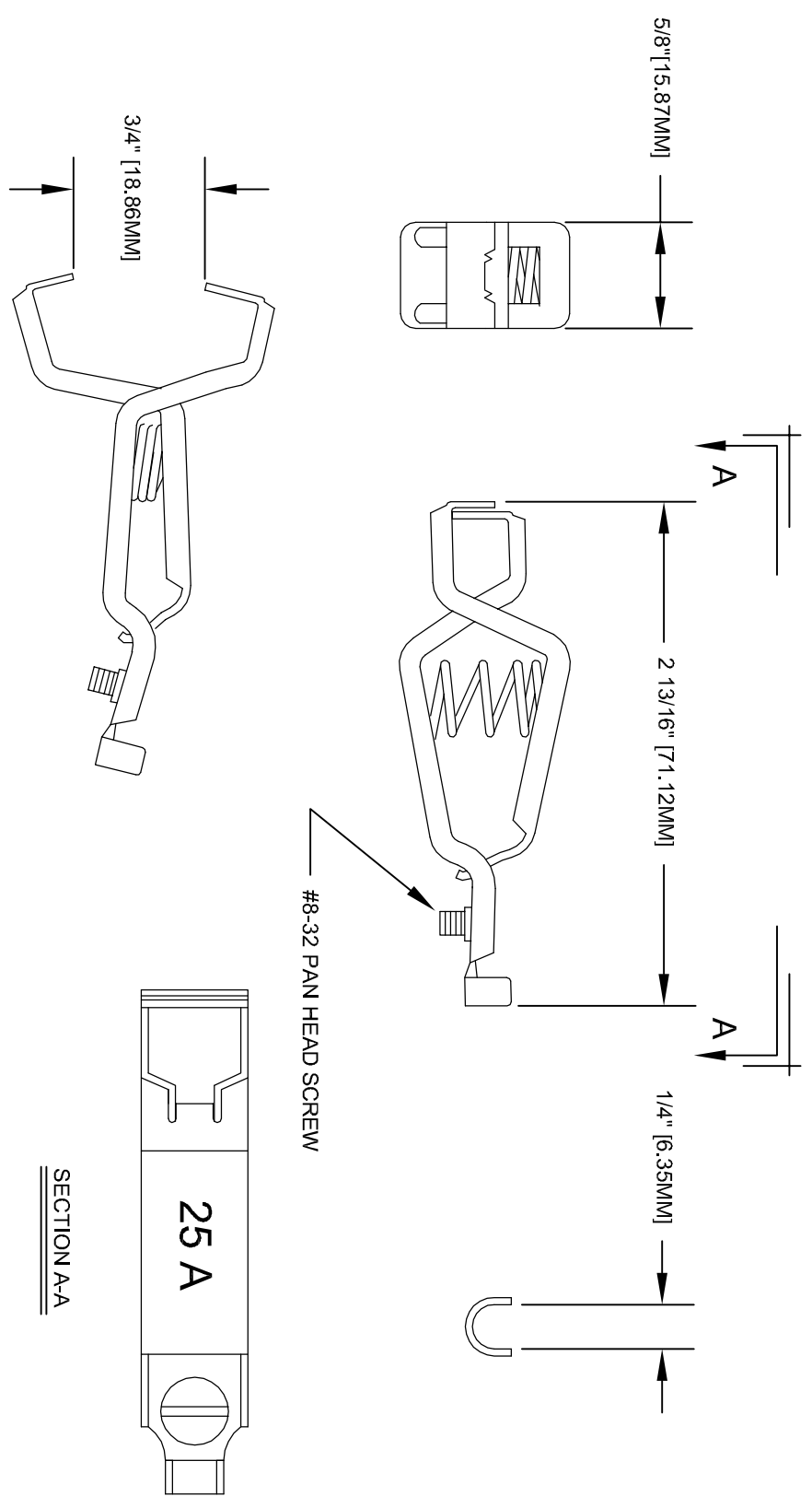


SPECCLEADS
by Silvertronix

This drawing is not to be disclosed to a third party without the authority from the company ©	Date	8-19-09	DRN BY	MEA	TITLE	SMALL HEAVY-DUTY CLIP STEEL	ISSUE NO.	0	PART NO.	502002
	MAT'L	STEEL	SCALE	NONE	CURRENT RATING:	25 AMP	1	9-4-09	PROJ. NO.	



FINISH: ZINC PLATED

ASSEMBLY NO.	PACKAGING :	PRINTING AS ILLUSTRATED	CONCENTRICITY:	ANGLES
--------------	-------------	-------------------------	----------------	--------