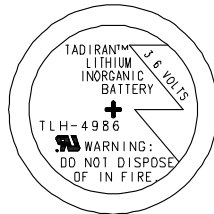
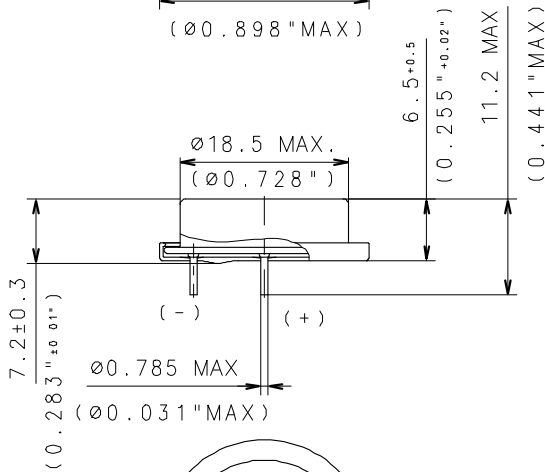
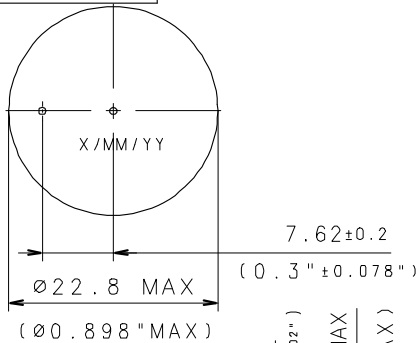
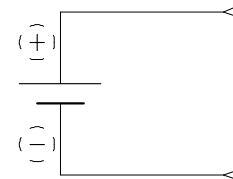


WARNING!
ALL THE INFORMATION CONTAINED IN THIS DOCUMENT OR DISCLOSED BY IT IS THE PROPERTY OF TADIRAN BATTERIES LTD. AND MAY NOT BE USED WITHOUT ITS WRITTEN AUTHORIZATION.

REV	Δ	DESCRIPTION	CHNGD SHEET	E.C.N	DATE	DRAWN	CHECKED
B		DATA UPDATED		6891	10/05/01	IDA	BATIA



TLH-4986



NOTES:

- 1) ELECTRICAL CHARACTERISTICS:
- CIRCUIT DESIGNATION: (SEC)
- ELECTROCHEMICAL SYSTEM: LITHIUM THIONYL CHLORIDE.
- OPEN CIRCUIT VOLTAGE: 3.63±3.70V (@10MOHM DVM).
- OPERATING VOLTAGE: 3.4V±0.2V (@100μA).
- AMPERE HOUR RATING (@RT): 0.4AH (@500 μA TO 2V)
- OPERATING TEMP: -50°C±+120°C.

(DIMENSIONS IN PARENTHESES ARE FOR REFERENCE ONLY)

4	15498620104	LABEL		PC	1	
3	15498610118	INSULATING CAP		PC	1	
2	15000040475	PINS	TIN PLATED NICKEL	MT	A/R	
1	15498610000	BEL/XOL	SS CAN		1	
NO.	PART NO.	NAME	DESCRIPTION	U/M	QTY	NOTES
UNLESS OTHERWISE SPECIFIED:			PROCESSING LEVEL			
ALL DIMENSIONS ARE IN MM.			OPERATION	CATALOG NO.		
TOLERANCES:			-	-	-	-
LINEAR : 0.2			-	-	-	-
ANGLES :			-	-	-	-
ROUGHNESS:			-	-	-	-
			PROD/PROJ:	BEL CELL	DRAWN	IDA
SCALE: N.S.			DESIGNED	BATIA	15/02/00	SHEET/DF
			CHECKED	BATIA	15/02/00	1/1
			APPROVED	WEINREB Z.	15/02/00	
			154986100105			

