



DL Series

Audio

NC3FD-S-1-B

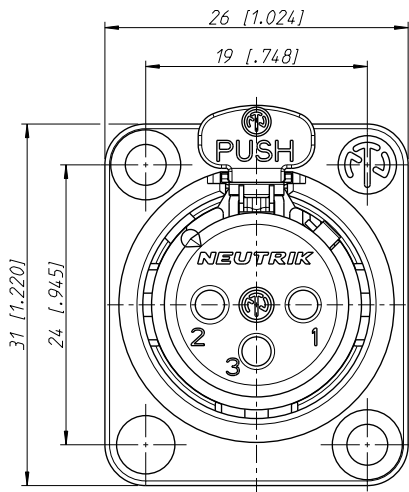
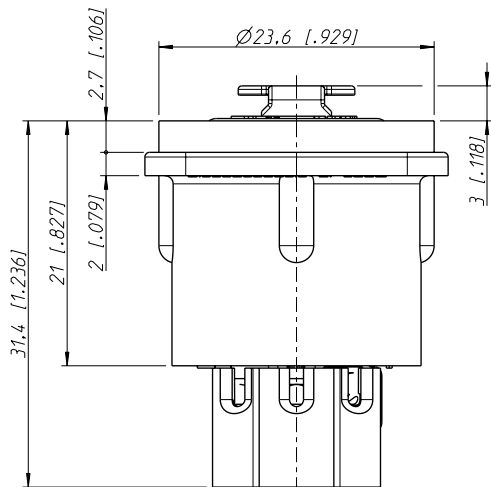
3 pole female receptacle, D-size metal body, screw terminals accommodating wire range 0.14mm² to 0.5mm² (AWG 26 -20), black metal housing, gold contacts, UL recognized component

Features & Benefits

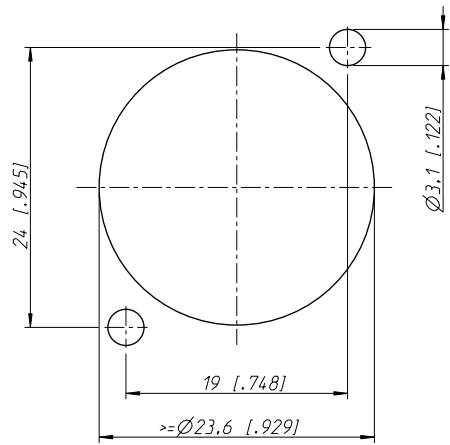
- Robust "D" metal shell
- Standardized D sized 24 mm panel cutout
- Screw terminals

ACCESSORIES





Frontplattenausschnitt (Rückseite)
Panel cut out (rear side)



Allgemeintoleranzen ISO 2768-m	Werkstoff	Maßstab:	Datum	Name
Zeichnung urheberrechtlich geschützt (DIN 34) (C)	-	3:1 (A3)	08.03.04	Ender
			-	-
			-	-
Benennung		Aend.-Nr.	Aend.-Index	
NC3FD-S-1-B		-	-	
NC3FD-S-1-B		Ersatz fuer:	Blatt 1 von 1 Bl.	
NEUTRIK AG FL-9494 SCHAAN		Zeichn. Nr.	ST-NC3FD-S-1-B	



Audio

DL Series

NC3FD-S-1-B

There are no technical infos for this product.

Product	
Connector Type	XLR
Gender	female
Electrical	
Capacitance between contacts	≤ 4 pF
Contact resistance	≤ 5 mΩ
Dielectric strength	1,5 kVdc
Insulation resistance	> 2 GΩ (initial)
Insulation resistance	> 1 GΩ (after damp heat test)
Rated current per contact	3 A
Rated voltage	50 V
Mechanical	
Insertion force	< 30 N
Withdrawal force	≤ 20 N
Lifetime	> 1000 mating cycles
Wire size	0.14 mm ² bis 0.5 mm ²
Wire size	26 AWG - 20 AWG
Wiring	screw terminals
Locking device	latch lock
Mounting direction	rear
Chassis shape	D
Material	
Contact plating	0.2 μm Au hard alloy over 2 μm Ni
Contacts	Bronze (CuSn8)
Insert	Polyamide (PA 6.6 30 % GR)
Locking element	Steel Ck67
Shell	Zinc diecast (ZnAl4Cu1)
Shell plating	Black chromium
Environmental	
Flammability	UL 94 HB
Standard compliance	IEC 61076-2-103
Temperature range	-30 °C to +80 °C
Optical	
Mobile Cables	