

Product Catalog > [Diodes](#) > [Bridge Rectifiers](#) >

Part Number	MB1005
product family	BRIDGE RECTIFIERS
package type	BR-6
VRM(PRV)	50V
Ifsm	150A
IF(AV)	10A
@Vf	1.1V
@If	5.0A
Trr	
IR	10 μ A
@VR	50V
Package Qty	Bulk: 200pcs/Box, 1.6K/Ctn ;

This product is listed under the following categories where you may find similar products:
[Diodes](#)
[Bridge Rectifiers](#)



Micro Commercial Components

MB1005 THRU MB1010

Features

- Mounting Hole For #6 Screw
- Any Mounting Position
- Surge Rating Of 150 Amps
- Case Material: Molded Plastic. UL Flammability Classification Rating 94V-0 and MSL Rating 1
- Lead Free Finish/RoHS Compliant (NOTE 1) ("P" Suffix designates RoHS Compliant. See ordering information)

Maximum Ratings

- UL Recognized File # E165989
- Operating Temperature: -55°C to +125°C
- Storage Temperature: -55°C to +150°C

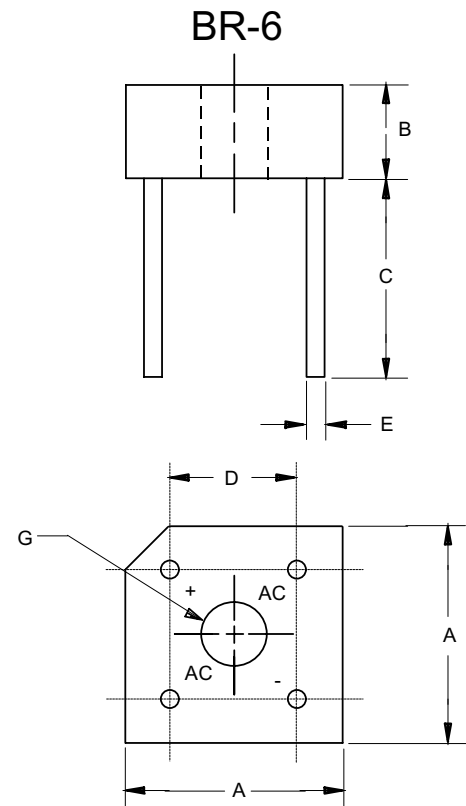
MCC Catalog Number	Device Marking	Maximum Recurrent Peak Reverse Voltage	Maximum RMS Voltage	Maximum DC Blocking Voltage
MB1005	MB1005	50V	35V	50V
MB101	MB101	100V	70V	100V
MB102	MB102	200V	140V	200V
MB104	MB104	400V	280V	400V
MB106	MB106	600V	420V	600V
MB108	MB108	800V	560V	800V
MB1010	MB1010	1000v	700V	1000v

Electrical Characteristics @ 25°C Unless Otherwise Specified

Average Forward Current	$I_{F(AV)}$	10.0A	$T_J = 50^\circ\text{C}$
Peak Forward Surge Current	I_{FSM}	150A	8.3ms, half sine
Maximum Forward Voltage Drop Per Element	V_F	1.1V	$I_{FM} = 5.0\text{A}$ per element; $T_J = 25^\circ\text{C}$ (Note 2)
Maximum DC Reverse Current At Rated DC Blocking Voltage	I_R	10 μA 1.0mA	$T_J = 25^\circ\text{C}$ $T_J = 100^\circ\text{C}$

- Notes: 1. High Temperature Solder Exemption Applied, see EU Directive Annex Notes 7
2. Pulse Test: Pulse Width 300usec, Duty Cycle 1%

10 Amp Single Phase Bridge Rectifier 50 to 1000 Volts



DIM	DIMENSIONS				NOTE
	INCHES		MM		
A	MIN .578	MAX .618	MIN 14.69	MAX 15.71	2PL
B	.230	.270	5.84	6.86	
C	.750	---	19.10	---	
D	.405	.444	10.30	11.30	2PL
E	.038	.042	0.97	1.07	4PL/TYP
G	.145	---	3.70	---	∅



Micro Commercial Components

Ordering Information

Device	Packing
(Part Number)-BP	Bulk;50pcs/Box

*****IMPORTANT NOTICE*****

Micro Commercial Components Corp. reserves the right to make changes without further notice to any product herein to make corrections, modifications, enhancements, improvements, or other changes. *Micro Commercial Components Corp.* does not assume any liability arising out of the application or use of any product described herein; neither does it convey any license under its patent rights, nor the rights of others. The user of products in such applications shall assume all risks of such use and will agree to hold *Micro Commercial Components Corp.* and all the companies whose products are represented on our website, harmless against all damages.

*****APPLICATIONS DISCLAIMER*****

Products offer by *Micro Commercial Components Corp.* are not intended for use in Medical, Aerospace or Military Applications.