

Energy-saving axial fans

Ø 200



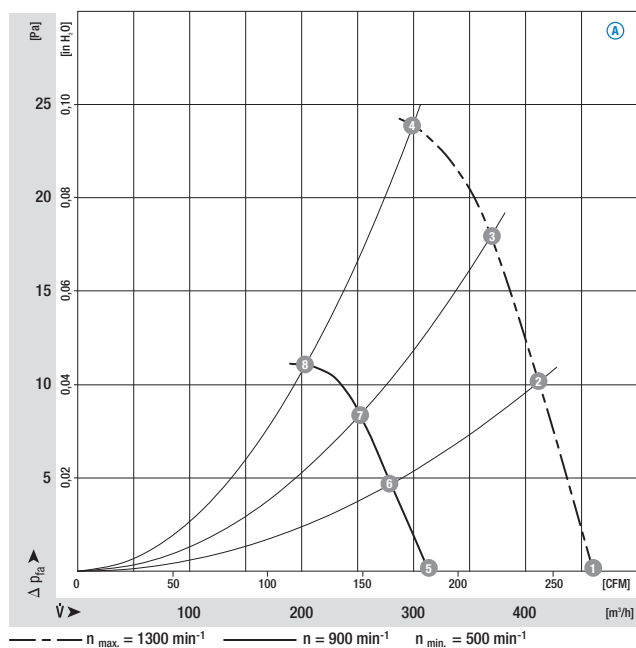
- **Material:** Wall ring: Plastic PP
Blade: Plastic PA
- **Number of blades:** 5
- **Direction of air flow:** "V", exhaust over struts
- **Direction of rotation:** Counter-clockwise seen on rotor
- **Type of protection:** IP 54
- **Insulation class:** "B"
- **Mounting position:** Any
- **Condensate discharges:** None
- **Mode of operation:** Continuous operation (S1)
- **Bearings:** Maintenance-free ball bearings
- **Motor protection:** Via electronics and TOP
- **Electrical connection:** Line cord with plug
- **Protection class:** II
- **Product conforming to standard:** CE
- **Approvals:** VDE; UL, CSA is applied for
- **Speed:** Using the programming unit, 2 speeds between n_{min} and n_{max} can be programmed.

| Nominal data | | Curve | Nominal voltage | Frequency | Speed ⁽¹⁾ | Max. Power input ⁽¹⁾ | Max. Current draw ⁽¹⁾ | Max. operative range | Perm. amb. temp. | Mass |
|-----------------|-----------|-------|-----------------|-----------|----------------------|---------------------------------|----------------------------------|----------------------|------------------|------|
| Type | Motor | VAC | Hz | rpm | W | A | Pa | °C | kg | |
| W1G200-EC91 -27 | M1G055-BD | Ⓐ | 115 | 50/60 | 1300 | 8,0 | 0,11 | 24 | -30..+50 | 1,0 |

subject to alterations

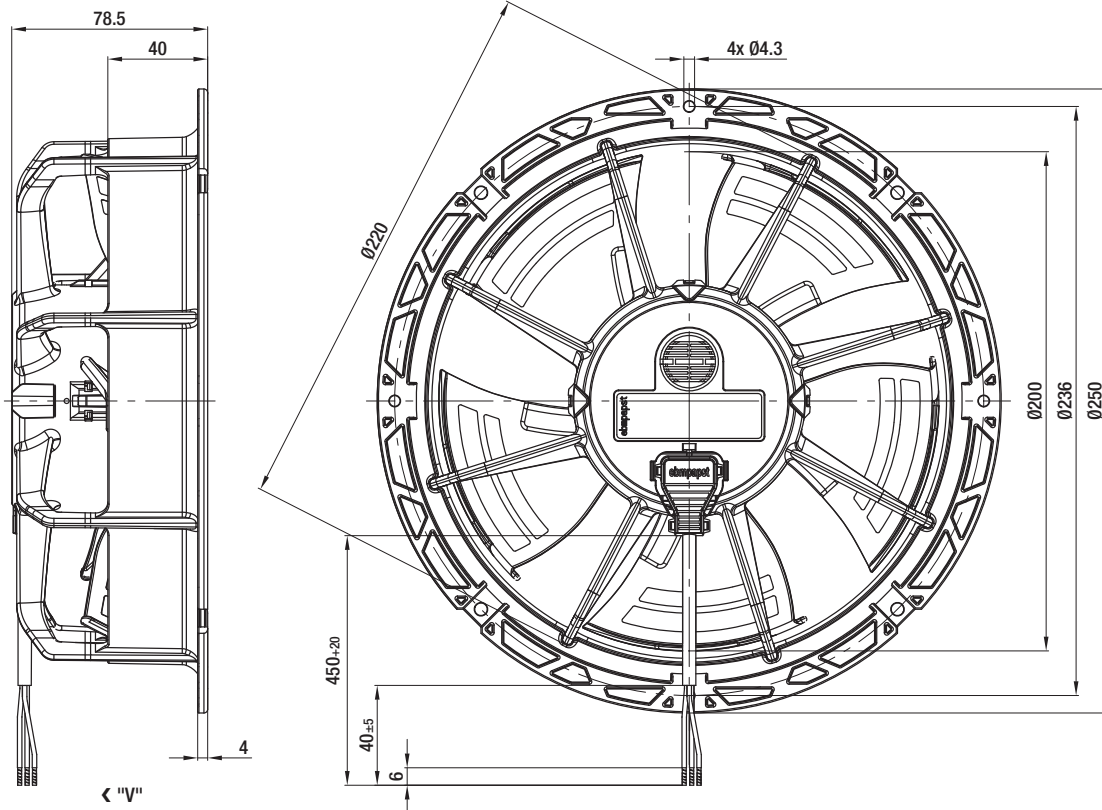
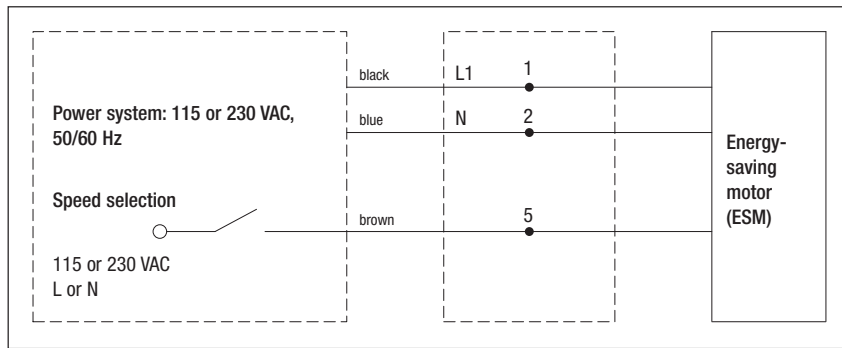
⁽¹⁾ Nominal data in operating point with maximum load and 115 or 230 VAC

Curves



| | n [rpm] | P ₁ [W] | I [A] | Lp _A [dB(A)] |
|-----|---------|--------------------|-------|-------------------------|
| Ⓐ 1 | 1300 | 7 | 0,09 | 42 |
| Ⓐ 2 | 1300 | 8 | 0,10 | 41 |
| Ⓐ 3 | 1300 | 8 | 0,10 | 41 |
| Ⓐ 4 | 1300 | 8 | 0,11 | 42 |
| Ⓐ 5 | 900 | 3 | 0,05 | 33 |
| Ⓐ 6 | 900 | 4 | 0,05 | 32 |
| Ⓐ 7 | 900 | 4 | 0,05 | 32 |
| Ⓐ 8 | 900 | 4 | 0,05 | 33 |
| Ⓑ 1 | | | | |
| Ⓑ 2 | | | | |
| Ⓑ 3 | | | | |
| Ⓑ 4 | | | | |
| Ⓑ 5 | | | | |
| Ⓑ 6 | | | | |
| Ⓑ 7 | | | | |
| Ⓑ 8 | | | | |

- Electr. connection:



Energy-saving axial fans

Ø 200



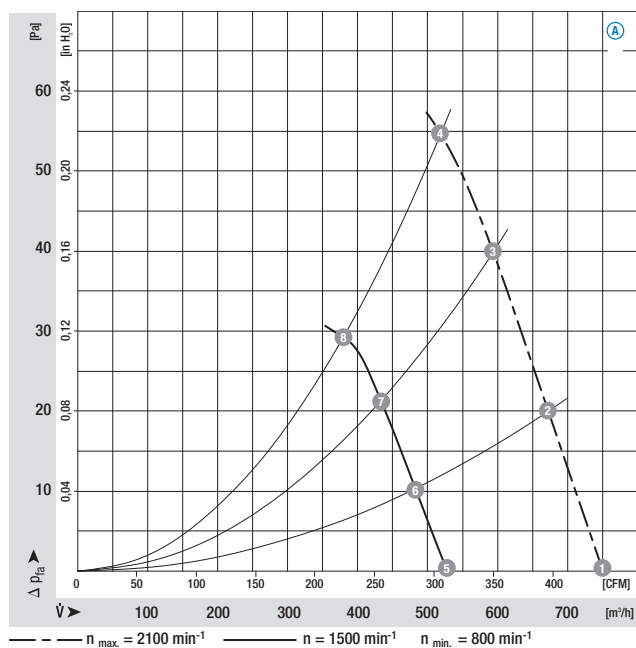
- **Material:** Wall ring: Plastic PP
Blade: Plastic PA
- **Number of blades:** 5
- **Direction of air flow:** "V", exhaust over struts
- **Direction of rotation:** Counter-clockwise seen on rotor
- **Type of protection:** IP 54
- **Insulation class:** "B"
- **Mounting position:** Any
- **Condensate discharges:** None
- **Mode of operation:** Continuous operation (S1)
- **Bearings:** Maintenance-free ball bearings
- **Motor protection:** Via electronics and TOP
- **Electrical connection:** Line cord with plug
- **Protection class:** II
- **Product conforming to standard:** CE
- **Approvals:** VDE; UL, CSA is applied for
- **Speed:** Using the programming unit, 2 speeds between n_{min} and n_{max} can be programmed.

| Nominal data | | Curve | Nominal voltage | Frequency | Speed ⁽¹⁾ | Max. Power input ⁽¹⁾ | Max. Current draw ⁽¹⁾ | Max. operative range | Perm. amb. temp. | Mass |
|-----------------|-----------|-------|-----------------|-----------|----------------------|---------------------------------|----------------------------------|----------------------|------------------|------|
| Type | Motor | VAC | Hz | rpm | W | A | Pa | °C | kg | |
| W1G200-EC95 -47 | M1G055-BD | Ⓐ | 115 | 50/60 | 2100 | 31 | 0,48 | 55 | -30..+50 | 1,0 |

subject to alterations

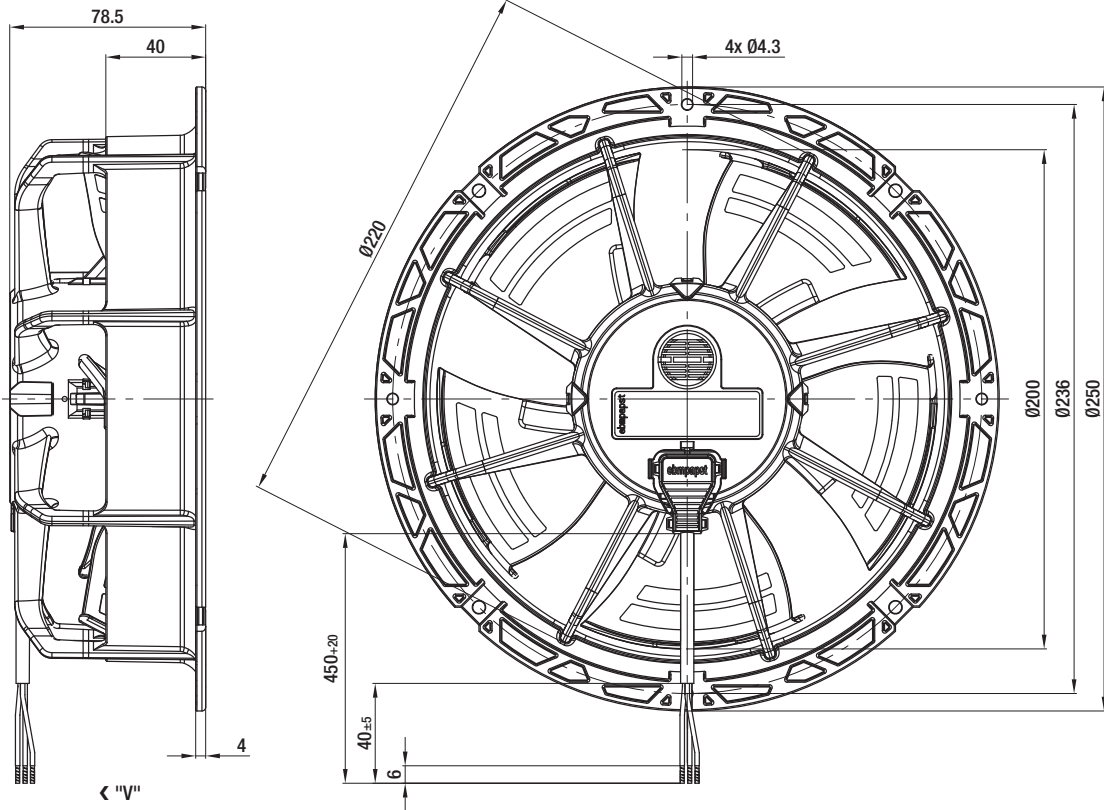
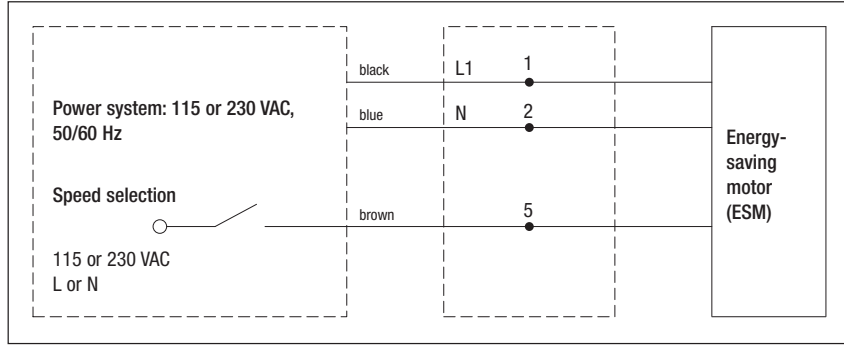
⁽¹⁾ Nominal data in operating point with maximum load and 115 or 230 VAC

Curves



| | n [rpm] | P ₁ [W] | I [A] | Lp _A [dB(A)] |
|-----|---------|--------------------|-------|-------------------------|
| Ⓐ 1 | 2100 | 29 | 0,44 | 55 |
| Ⓐ 2 | 2100 | 30 | 0,46 | 54 |
| Ⓐ 3 | 2100 | 31 | 0,48 | 53 |
| Ⓐ 4 | 2100 | 31 | 0,48 | 55 |
| Ⓐ 5 | 1500 | 14 | 0,22 | 46 |
| Ⓐ 6 | 1500 | 16 | 0,24 | 45 |
| Ⓐ 7 | 1500 | 16 | 0,26 | 45 |
| Ⓐ 8 | 1500 | 16 | 0,26 | 46 |
| Ⓑ 1 | | | | |
| Ⓑ 2 | | | | |
| Ⓑ 3 | | | | |
| Ⓑ 4 | | | | |
| Ⓑ 5 | | | | |
| Ⓑ 6 | | | | |
| Ⓑ 7 | | | | |
| Ⓑ 8 | | | | |

- Electr. connection:



Energy-saving axial fans

Ø 230



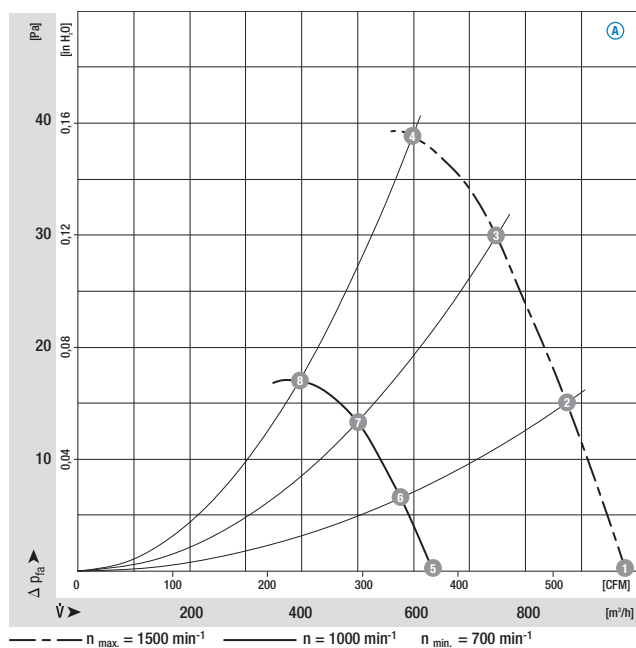
- **Material:** Wall ring: Plastic PP
Blade: Plastic PA
- **Number of blades:** 5
- **Direction of air flow:** "V", exhaust over struts
- **Direction of rotation:** Counter-clockwise seen on rotor
- **Type of protection:** IP 54
- **Insulation class:** "B"
- **Mounting position:** Any
- **Condensate discharges:** None
- **Mode of operation:** Continuous operation (S1)
- **Bearings:** Maintenance-free ball bearings
- **Motor protection:** Via electronics and TOP
- **Electrical connection:** Line cord with plug
- **Protection class:** II
- **Product conforming to standard:** CE
- **Approvals:** VDE; UL, CSA is applied for
- **Speed:** Using the programming unit, 2 speeds between n_{min} and n_{max} can be programmed.

| Nominal data | | Curve | Nominal voltage | Frequency | Speed ⁽¹⁾ | Max. Power input ⁽¹⁾ | Max. Current draw ⁽¹⁾ | Max. operative range | Perm. amb. temp. | Mass |
|-----------------|-----------|-------|-----------------|-----------|----------------------|---------------------------------|----------------------------------|----------------------|------------------|------|
| Type | Motor | VAC | Hz | rpm | W | A | Pa | °C | kg | |
| W1G230-EB97 -01 | M1G055-BD | Ⓐ | 115 | 50/60 | 1500 | 23 | 0,35 | 38 | -30..+50 | 1,05 |

subject to alterations

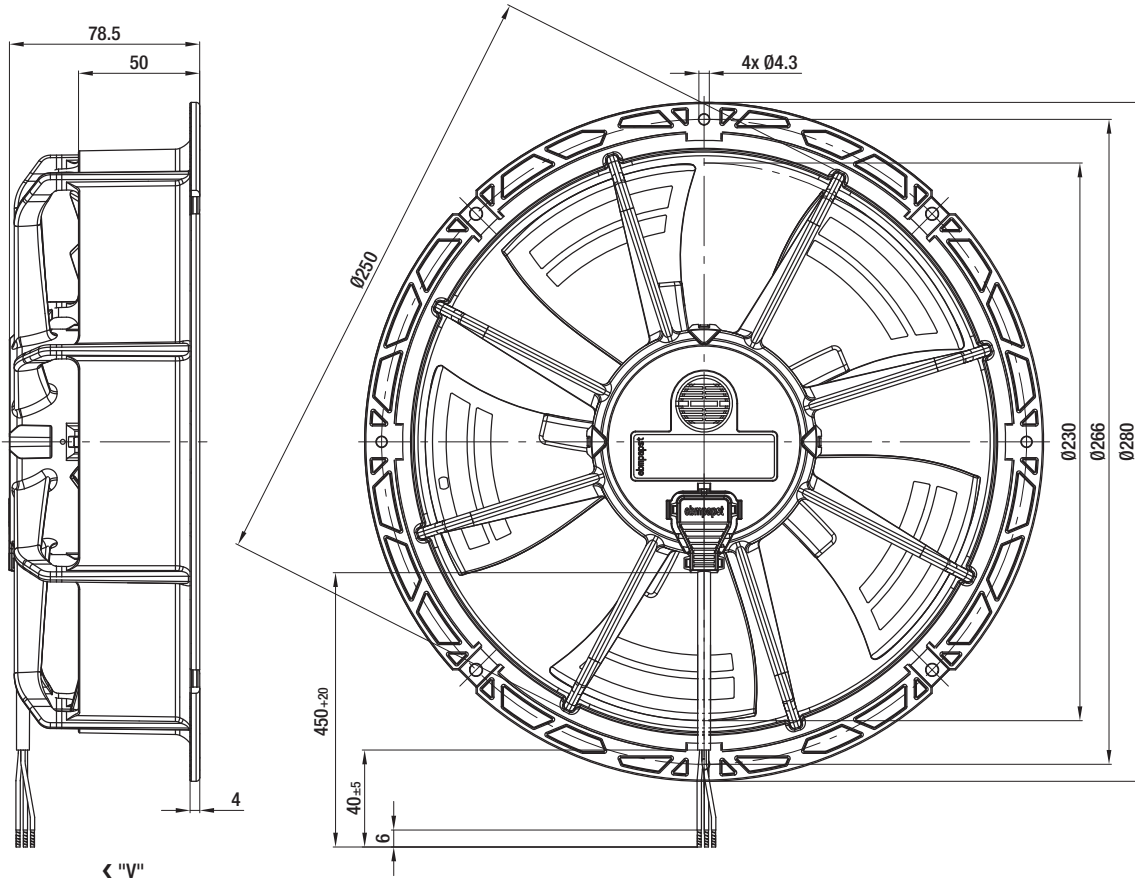
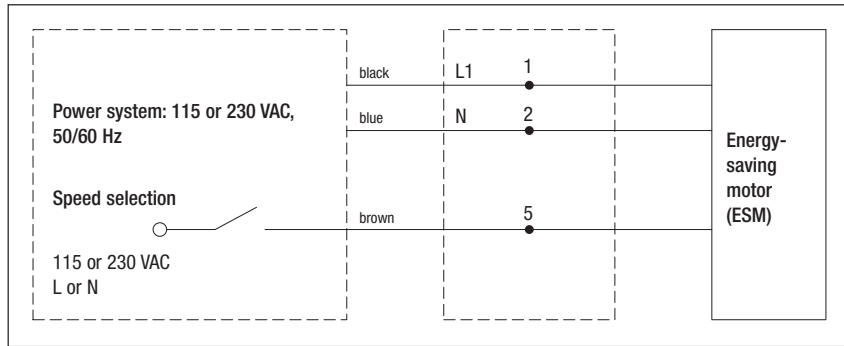
⁽¹⁾ Nominal data in operating point with maximum load and 115 or 230 VAC

Curves



| | n [rpm] | P ₁ [W] | I [A] | Lp _A [dB(A)] |
|-----|---------|--------------------|-------|-------------------------|
| Ⓐ 1 | 1500 | 23 | 0,35 | 51 |
| Ⓐ 2 | 1500 | 23 | 0,35 | 51 |
| Ⓐ 3 | 1500 | 23 | 0,35 | 50 |
| Ⓐ 4 | 1500 | 23 | 0,35 | 50 |
| Ⓐ 5 | 1000 | 9 | 0,15 | 39 |
| Ⓐ 6 | 1000 | 10 | 0,16 | 39 |
| Ⓐ 7 | 1000 | 10 | 0,16 | 40 |
| Ⓐ 8 | 1000 | 10 | 0,16 | 40 |
| Ⓑ 1 | | | | |
| Ⓑ 2 | | | | |
| Ⓑ 3 | | | | |
| Ⓑ 4 | | | | |
| Ⓑ 5 | | | | |
| Ⓑ 6 | | | | |
| Ⓑ 7 | | | | |
| Ⓑ 8 | | | | |

- Electr. connection:



Energy-saving axial fans

Ø 250



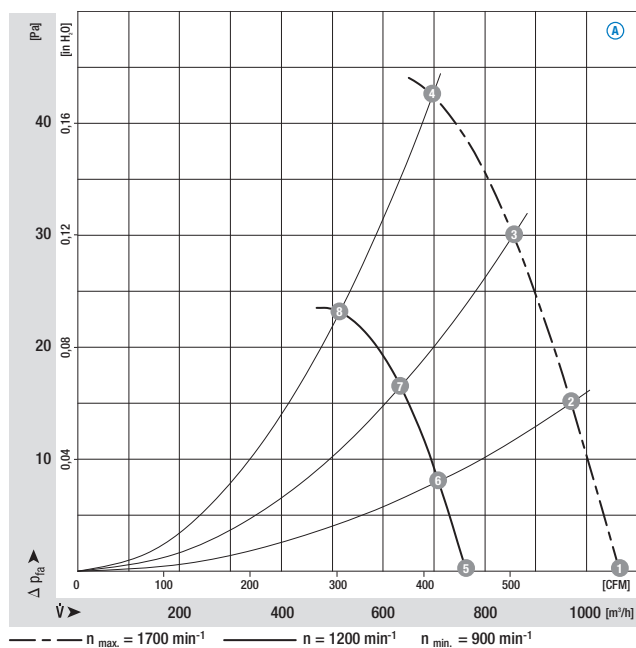
- **Material:** Wall ring: Plastic PP
Blade: Plastic PA
- **Number of blades:** 5
- **Direction of air flow:** "V", exhaust over struts
- **Direction of rotation:** Counter-clockwise seen on rotor
- **Type of protection:** IP 54
- **Insulation class:** "B"
- **Mounting position:** Any
- **Condensate discharges:** None
- **Mode of operation:** Continuous operation (S1)
- **Bearings:** Maintenance-free ball bearings
- **Motor protection:** Via electronics and TOP
- **Electrical connection:** Line cord with plug
- **Protection class:** II
- **Product conforming to standard:** CE
- **Approvals:** VDE, UL, CSA is applied for
- **Speed:** Using the programming unit, 2 speeds between n_{min} and n_{max} can be programmed.

| Nominal data | | Curve | Nominal voltage | Frequency | Speed ⁽¹⁾ | Max. Power input ⁽¹⁾ | Max. Current draw ⁽¹⁾ | Max. operative range | Perm. amb. temp. | Mass |
|-----------------|-----------|-------|-----------------|-----------|----------------------|---------------------------------|----------------------------------|----------------------|------------------|------|
| Type | Motor | VAC | Hz | rpm | W | A | Pa | °C | kg | |
| W1G250-BB21 -01 | M1G055-BI | Ⓐ | 115 | 50/60 | 1700 | 32 | 0,47 | 42 | -30..+50 | 1,55 |

subject to alterations

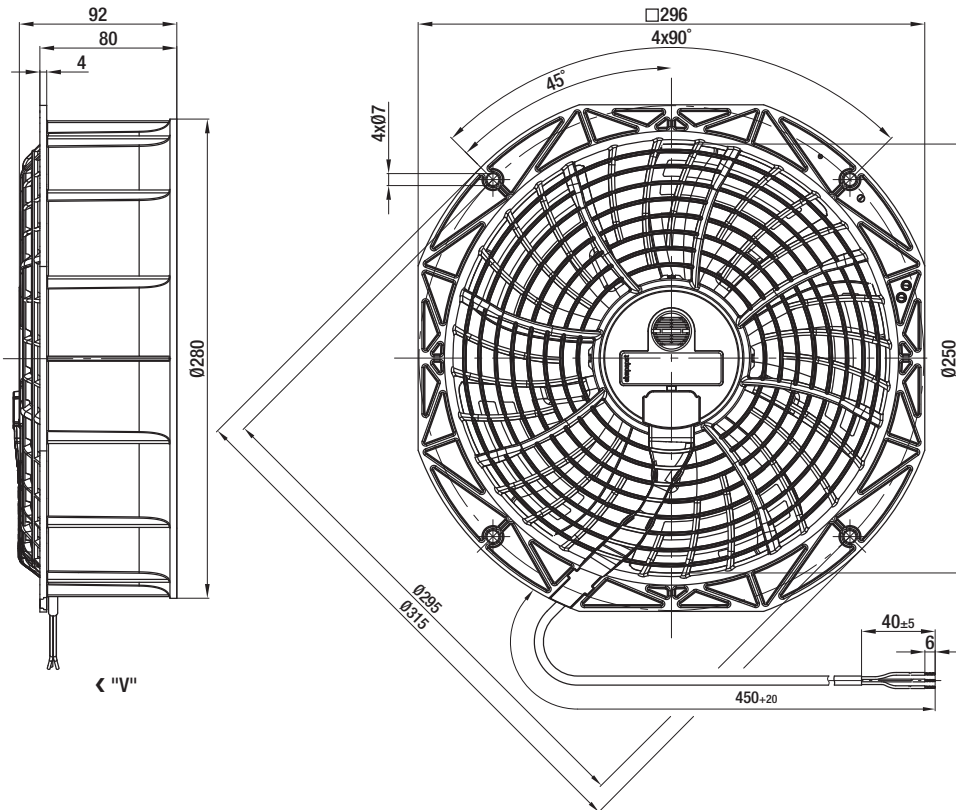
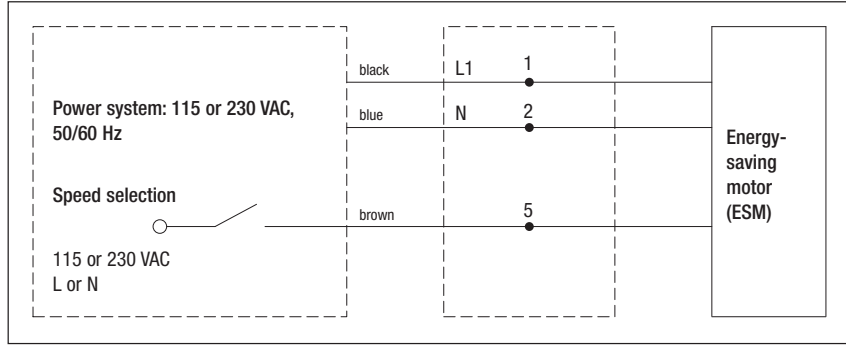
⁽¹⁾ Nominal data in operating point with maximum load and 115 or 230 VAC

Curves



| | n [rpm] | P ₁ [W] | I [A] | Lp _A [dB(A)] |
|-----|---------|--------------------|-------|-------------------------|
| Ⓐ 1 | 1700 | 30 | 0,44 | 55 |
| Ⓐ 2 | 1700 | 31 | 0,45 | 56 |
| Ⓐ 3 | 1700 | 32 | 0,47 | 56 |
| Ⓐ 4 | 1700 | 32 | 0,47 | 57 |
| Ⓐ 5 | 1200 | 14 | 0,22 | 46 |
| Ⓐ 6 | 1200 | 15 | 0,24 | 46 |
| Ⓐ 7 | 1200 | 16 | 0,25 | 47 |
| Ⓐ 8 | 1200 | 17 | 0,26 | 48 |
| Ⓑ 1 | | | | |
| Ⓑ 2 | | | | |
| Ⓑ 3 | | | | |
| Ⓑ 4 | | | | |
| Ⓑ 5 | | | | |
| Ⓑ 6 | | | | |
| Ⓑ 7 | | | | |
| Ⓑ 8 | | | | |

- Electr. connection:



Energy-saving axial fans

Ø 300



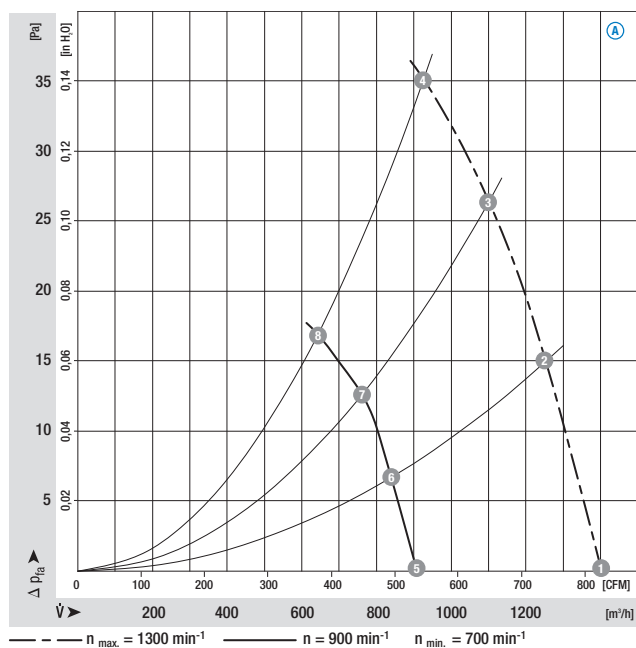
- **Material:** Wall ring: Plastic PP
Blade: Plastic PA
- **Number of blades:** 5
- **Direction of air flow:** "V", exhaust over struts
- **Direction of rotation:** Counter-clockwise seen on rotor
- **Type of protection:** IP 54
- **Insulation class:** "B"
- **Mounting position:** Any
- **Condensate discharges:** None
- **Mode of operation:** Continuous operation (S1)
- **Bearings:** Maintenance-free ball bearings
- **Motor protection:** Via electronics and TOP
- **Electrical connection:** Line cord with plug
- **Protection class:** II
- **Product conforming to standard:** CE
- **Approvals:** VDE, UL, CSA is applied for
- **Speed:** Using the programming unit, 2 speeds between n_{min} and n_{max} can be programmed.

| Nominal data | | Curve | Nominal voltage | Frequency | Speed ⁽¹⁾ | Max. Power input ⁽¹⁾ | Max. Current draw ⁽¹⁾ | Max. operative range | Perm. amb. temp. | Mass |
|-----------------|-----------|-------|-----------------|-----------|----------------------|---------------------------------|----------------------------------|----------------------|------------------|------|
| Type | Motor | VAC | Hz | rpm | W | A | Pa | °C | kg | |
| W1G300-BB23 -01 | M1G055-BI | Ⓐ | 115 | 50/60 | 1300 | 35 | 0,50 | 35 | -30..+50 | 1,75 |

subject to alterations

⁽¹⁾ Nominal data in operating point with maximum load and 115 or 230 VAC

Curves



| | n [rpm] | P ₁ [W] | I [A] | Lp _A [dB(A)] |
|-----|---------|--------------------|-------|-------------------------|
| Ⓐ 1 | 1300 | 28 | 0,41 | 52 |
| Ⓐ 2 | 1300 | 31 | 0,46 | 52 |
| Ⓐ 3 | 1300 | 32 | 0,47 | 51 |
| Ⓐ 4 | 1300 | 35 | 0,50 | 52 |
| Ⓐ 5 | 900 | 12 | 0,24 | 43 |
| Ⓐ 6 | 900 | 14 | 0,26 | 42 |
| Ⓐ 7 | 900 | 15 | 0,28 | 42 |
| Ⓐ 8 | 900 | 16 | 0,30 | 43 |
| Ⓑ 1 | | | | |
| Ⓑ 2 | | | | |
| Ⓑ 3 | | | | |
| Ⓑ 4 | | | | |
| Ⓑ 5 | | | | |
| Ⓑ 6 | | | | |
| Ⓑ 7 | | | | |
| Ⓑ 8 | | | | |

- Electr. connection:

