


[Product Catalog for Marine](#) > [3M™ Electrical Products](#) > [3M™ Electrical Connectors](#) > [3M™ Scotchlok™ Electrical Connector 314](#) >

 [Printer-friendly format](#) **3M™ Scotchlok™ 314 Electrical Connector 09230, 50 per box, 10 boxes per case**




A special compound inside the connector to protect against corrosion in damp conditions. Handles 22-14 AWG solid or stranded wire. Wires held with a double U element to provide a much stronger connection while reducing electrical resistance.

[\[click to enlarge\]](#)

GTIN(UPC/EAN) : 0 00 54007 09230 8
 3M Id : 80-6102-5366-0
 Buyer's Part Number : 09230

Additional Information

Learn More . . .
<p>Packaging Data</p> <p>MSDS (United States)</p> <p>314orderinginfo.pdf - Product Selection Guide (PDF 9.0 K)</p> <p>Ordering Information for Scotchlok™ 314 Insulation Displaceme - Product Selection Guide (HTML 1.5 K)</p> <p>Pigtail 2 Diagram - Illustration/Line Art (TIFF 3.5 K)</p> <p>Pigtail 3 Diagram - Illustration/Line Art (TIFF 3.6 K)</p> <p>Scotchlok 314 IDC Connector - Data Sheet (PDF 59.6 K)</p> <p>Please Note: Adobe® Acrobat® Reader is required to view PDF documents.</p> <p></p>

Characteristics

- ▼ Marine Products
 - ▼ Product Catalog for Marine
 - 3M™ Abrasive Accessories
 - 3M™ Abrasives
 - 3M™ Adhesives, Sealants and Fasteners
 - 3M™ Cleaning Products
 - 3M™ Compounds, Glazes and Buffing Pads
 - 3M™ Conspicuity Tapes
 - 3M™ Electrical Products
 - 3M™ Fiberglass Fillers
 - 3M™ Lubricants
 - 3M™ Masking Films, Sheeting, Papers, and Tapes
 - 3M™ Matting Products
 - 3M™ Paint & Varnish Remover & Accessories Products
 - 3M™ PPS™ Paint Preparation System
 - 3M™ Reflective Products
 - 3M™ Safety Products
 - 3M™ Tape and Scotch® Tapes
 - 3M™ Wax and Maintenance Products
 - 2006 Marine Products & Systems Catalog
 - Scotchgard™ Paint Protection Film & 3M™ Scotchcal™ Striping Tape
 - Thinsulate™ Acoustic Insulation

Agency Approvals	UL and CSA
China RoHS - Below MCV	Yes
Color	Blue
EU RoHS Compliant	Yes
Maximum Recommended Voltage Rating	600 Volt
Units per Box	1000
Wire Range Capabilities	22 to 14



Scotchlok™ 314

Self-Stripping Moisture Resistant, Electrical Pigtail Connectors



Data Sheet

Application

Use Part No. 314 to electrically connect two or three wire ends, insulate the connection, and provide a moisture resistant seal.

Wire Range

22-14 AWG Solid or stranded, tinned or untinned (0,5-1.5 mm²) copper conductors. For use with common thermoplastic insulated wires: T, TF, TFF, TFN, TFFN, AWM, TEW, SAE-GPT with a maximum insulation diameter of .150 inches (3,8 mm). Maximum recommended current for general purpose applications: 22 AWG - 3 AMPS, 20 AWG - 5 AMPS, 18 AWG - 7 AMPS, 16 AWG - 10 AMPS, 14 AWG - 15 AMPS.

Construction

U-contact - Tin plated brass, .02 in. (0,5 mm) thick

Insulator - Flame retardant nylon,
Color - cap/dk. blue, body/white

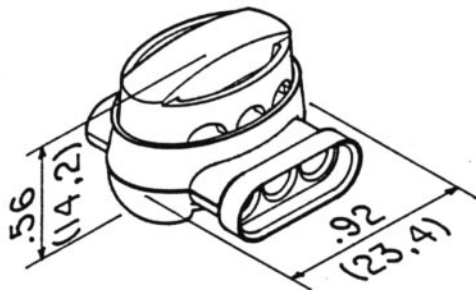
Sealant - Mineral Oil Base EG-3 Grease

Weight

.0077 lb. (3,49 gm)

Recommended Installation Tools

3M™ Crimping Tool No. E-9BM
Mechanics (slip joint) Pliers



Installation Instructions

⚠ WARNING

Turn power off before installing or removing terminal. All electrical work should be done according to appropriate electrical codes.

1. Insert 2 or 3 unstripped wires completely into connector and check their position by looking through the translucent connector body.
2. Hold tool perpendicular to the wires and make the connection by driving the cap down flush with the top edge of the connector body.

Regulatory Agencies

UL Listed - Tested per UL Standard 486C

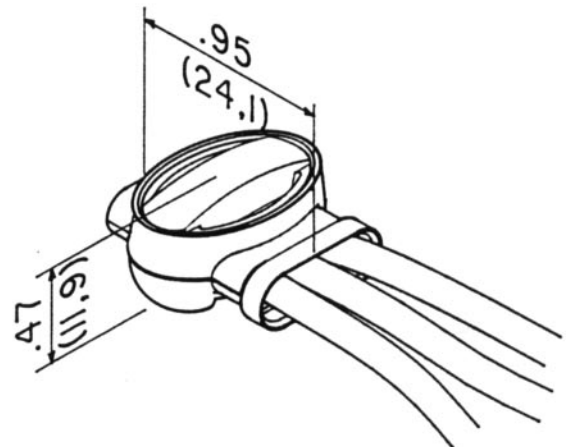
UL file No. E23438

CSA certified - CSA Std. C22.2 No. 0. 188-MI983

CSA File No. LR15503

(Voltage rated at 600 volts maximum, building wire: 1000 volts maximum, signs, fixtures and luminaires. Operating Temperature: 105°C.)

*Note: UL Listed and CSA Certified for AWG only.
Connector is not recommended for direct underground burial or other submerged applications.*



Engineering Specification

Self-Stripping Electrical Connector (as manufactured by 3M, part No. 314) capable of connecting 2 or 3 wires in the range of No. 22 thru No. 14 AWG solid or stranded copper wire in a pigtail application while insulating the connection and providing a moisture resistant seal. Connector shall be UL Listed and CSA Certified for 600 volts maximum, building wire: 1000 volts maximum, signs, fixtures and luminaires, and temperature rated 105°C maximum.

3M and Scotchlok are trademarks of 3M Company.



is a trademark of Underwriters Laboratories.



is a trademark of Canadian Standards Association.

IMPORTANT NOTICE

Before using this product, you must evaluate it and determine if it is suitable for your intended application. You assume all risks and liability associated with such use.

Warranty; Limited Remedy; Limited Liability. This product will be free from defects in material and manufacture as of the date of purchase. **3M MAKES NO OTHER WARRANTIES INCLUDING, BUT NOT LIMITED TO, ANY IMPLIED WARRANTY OF MERCHANTABILITY OR FITNESS FOR A PARTICULAR PURPOSE.** If this product is defective within the warranty period stated above, your exclusive remedy shall be, at 3M's option, to replace or repair the 3M product or refund the purchase price of the 3M product. **Except where prohibited by law, 3M will not be liable for any loss or damage arising from this 3M product, whether direct, indirect, special, incidental or consequential regardless of the legal theory asserted.**

3M

Electrical Products Division

6801 River Place Blvd.
Austin, TX 78726-9000
www.3M.com/elpd

Litho in USA
©3M 2003 78-8126-5515-3-A