

Product Catalog > [Diodes](#) > [Switching Diodes](#) >

Part Number	1N4448W
product family	SWITCHING DIODES
package type	SOD-123
VRM(PRV)	100V
Ifsm	500mA
IF(AV)	150mA
@Vf	1.0V
@If	100mA
Trr	4ns
IR	25nA
@VR	75V
Package Qty	Tape : 3K/Reel, 120K/Ctn;

This product is listed under the following categories where you may find similar products:
[Diodes](#)
[Switching Diodes](#)



Micro Commercial Components

1N4448W

500mW 100 Volts Switching Diode

Features

- Fast Switching Speed
- For General Purpose Switching Applications
- Surface Mount Package Ideally Suited for Automatic Insertion
- Lead Free Finish/RoHS Compliant ("P" Suffix designates RoHS Compliant. See ordering information)

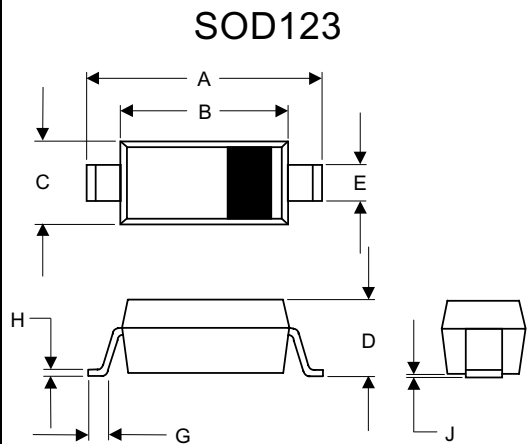
Mechanical Data

- Marking Code: T5
- Case Material: Molded Plastic. UL Flammability Classification Rating 94V-0 and MSL Rating 1

Maximum Ratings

Maximum Ratings @ 25°C Unless Otherwise Specified

Reverse Voltage	V_R	75	V
Peak Reverse Voltage	V_{RM}	100	V
Average Rectified Current	I_b	250	mA
Peak Forward Surge Current	I_{FSM}	2	A
Power Dissipation	P_D	500	mW
Thermal Resistance*	R	35	°C/W
Operation/Storage Temp. Range	T_J, T_{STG}	-55 to +150	°C



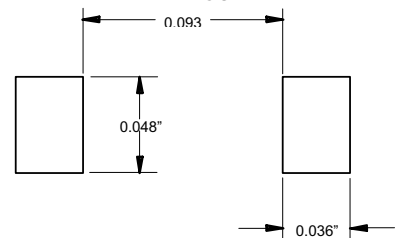
DIM	DIMENSIONS				NOTE
	INCHES		MM		
A	.140	.152	3.55	3.85	
B	.100	.112	2.55	2.85	
C	.055	.071	1.40	1.80	
D	-----	.053	-----	1.35	
E	.012	.031	0.30	.78	
G	.006	-----	0.15	-----	
H	-----	.01	-----	.25	
J	-----	.006	-----	.15	

Electrical Characteristics @ 25°C Unless Otherwise Specified

Maximum Instantaneous Forward Voltage	V_F	1.0V	$I_{FM} = 100mA;$ $T_J = 25^\circ C$ (Note 1)
Maximum DC Reverse Current At Rated DC Blocking Voltage	I_R	25nA 50µA 2.5uA	$V_R = 20Volts$ $T_J = 25^\circ C$ $T_J = 150^\circ C$ $V_R = 75Volts$
Typical Junction Capacitance	C_J	4pF	Measured at 1.0MHz, $V_R = 4.0V$
Reverse Recovery Time	T_{rr}	4nS	$I_F = 10mA$ $V_R = 6V$ $R_L = 100\Omega$

Note: 1. Valid provided that terminals are kept at ambient temperature

SUGGESTED SOLDER PAD LAYOUT





Micro Commercial Components

Ordering Information

Device	Packing
(Part Number)-TP	Tape&Reel;3Kpcs/Reel

IMPORTANT NOTICE

Micro Commercial Components Corp. reserves the right to make changes without further notice to any product herein to make corrections, modifications, enhancements, improvements, or other changes. *Micro Commercial Components Corp.* does not assume any liability arising out of the application or use of any product described herein; neither does it convey any license under its patent rights, nor the rights of others. The user of products in such applications shall assume all risks of such use and will agree to hold *Micro Commercial Components Corp.* and all the companies whose products are represented on our website, harmless against all damages.

APPLICATIONS DISCLAIMER

Products offer by *Micro Commercial Components Corp.* are not intended for use in Medical, Aerospace or Military Applications.