

SPECCLEADS
by Silvertronix

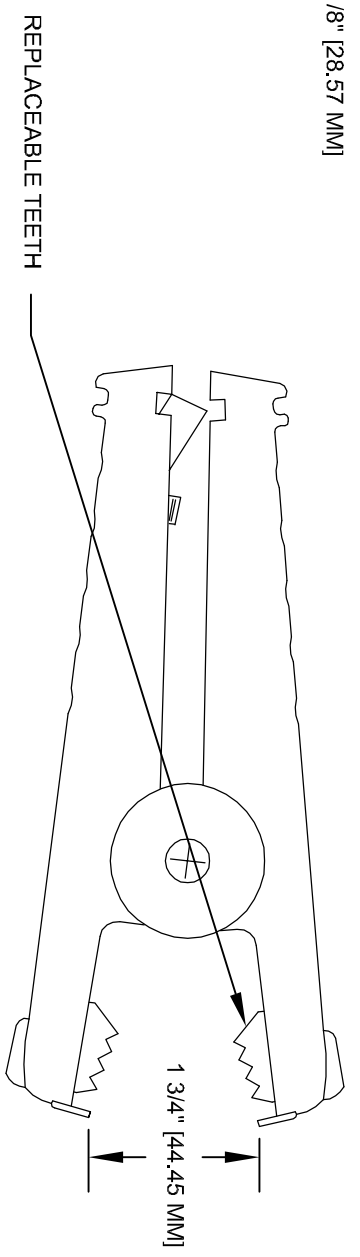
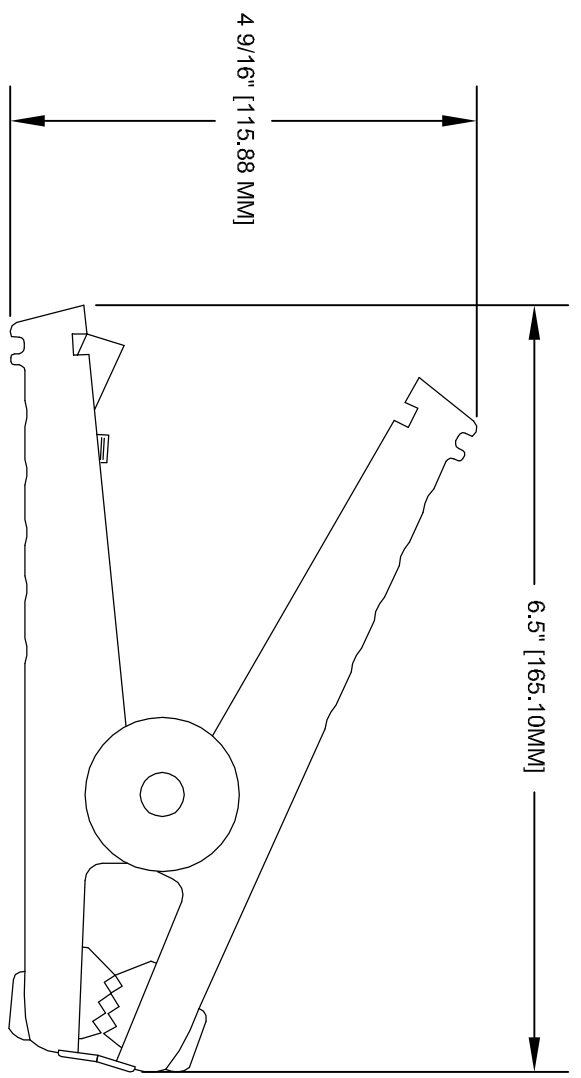
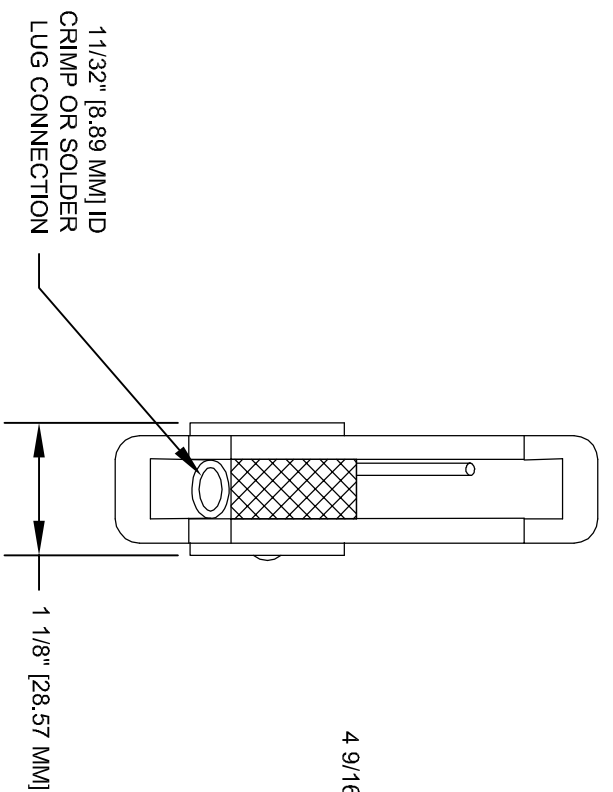
This drawing is not to be disclosed to a third party without the authority from the company ©

Date	8-24-09	DRN BY	MEA	TITLE	INSULATED HEAVY DUTY CLAMP W SERRATED TEETH
MAT'L	COPPER	SCALE	NONE	CURRENT RATING:	500 AMP

ISSUE NO.	8-24-09								
-----------	---------	--	--	--	--	--	--	--	--

PART NO.	502012
PROJ. NO.	

502012B = BLACK INSULATION
502012R = RED INSULATION



TEETH FINISH: NONE

ASSEMBLY NO.	PACKAGING:	PRINTING AS ILLUSTRATED	CONCENTRICITY:	ANGLES
--------------	------------	-------------------------	----------------	--------