

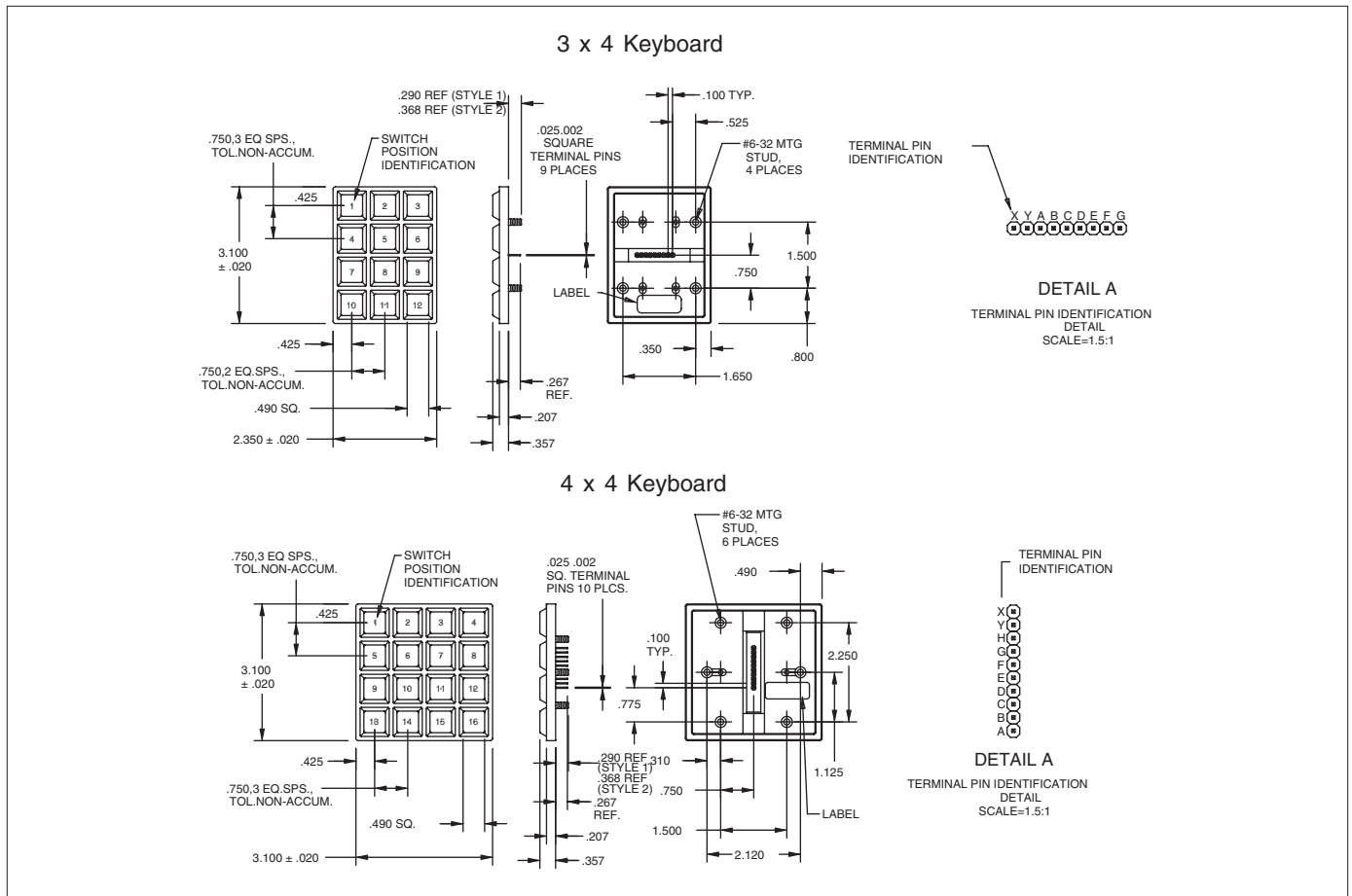
SERIES 84BL
Standard Backlit

FEATURES

- Backlit for Low Light Applications
- Waterproof Silicone Rubber
- Audible, Tactile Contacts
- Low Contact Resistance
- Optional RFI/EMI Shielding
- 3,000,000 Operations per Button

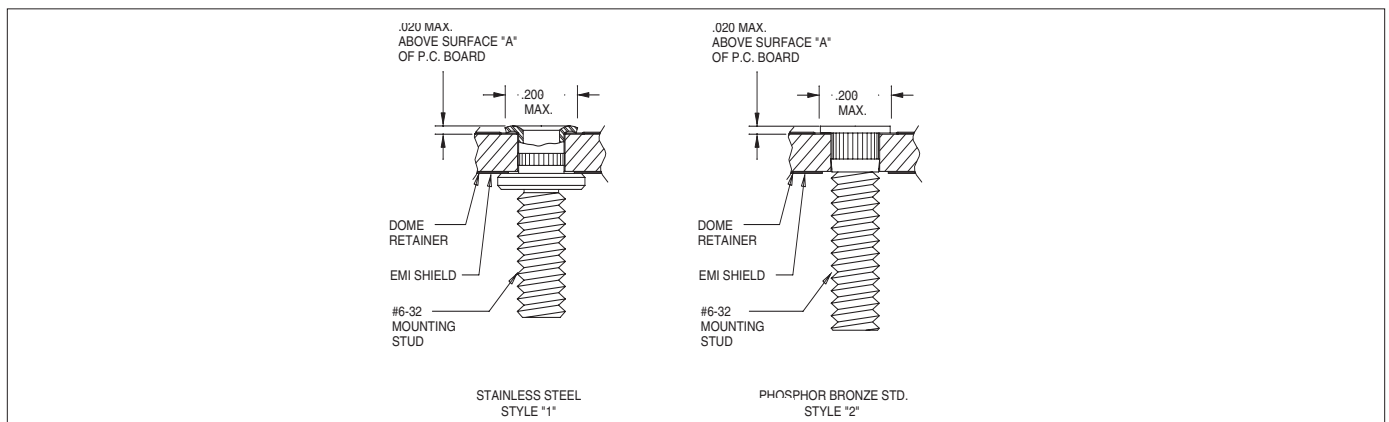


DIMENSIONS In inches (and millimeters)



Keyboards and Keypads

Stud Detail



SCHEMATIC AND TRUTH TABLE

LED Color	Forward Voltage			Resistor (OHMS)	Typ. Current Consumption (With 5V Pwr. Supply)	
	Min.	Typ.	Max.		3 x 4	4 x 4
Red	-	1.95	2.40	43	155mA	205mA
Yellow	-	1.95	2.40	43	155mA	205mA
Green	1.50	-	2.40	43	155mA	205mA
Orange	-	1.95	2.40	43	155mA	205mA

STANDARD LEGENDS

Available through Grayhill Distributors To order one of the configurations below, use the dash number shown here; select the keypad size and order the part number with the appropriate legend dash number. Contact Grayhill for Customs.

SPECIFICATIONS

Rating Criteria
Rating at 24 Vdc: - 10 milliamps resistive
Contact Bounce: 4 milliseconds maximum at make; 10 milliseconds, at break
Contact Resistance: 10 ohms maximum

Life Expectancy: 3 million operations/button
Insulation Resistance: •1,000 megohms
Operating Features
Pre-Travel: .030 inches minimum
Operating Force: 20 ± 4 ounces
Humidity: 0 to 98% (no condensation)

Materials and Finishes
Terminal Pins: Copper alloy CDA 725
PC Board: FR-4 glass cloth epoxy
Dome Retainer/Rear Seal Sheet: Polyester
Mounting Studs: Style 1: Stainless steel, Style 2: Phosphor bronze
Optional Hex Nut: Stainless steel, passivated
Optional EMI Shield: Aluminum foil
Keypad: Silicone rubber

ORDERING INFORMATION

84BL = Printed Legend, Sealed and Shielded
84BLN = Printed Legend, Sealed and Non-Shielded
Keyboard Size: A = 3 x 4, B = 4 x 4
B = Matrix Code
1 = Style "1" Terminal Pin Header (see stud detail), **2** = Style "2" Terminal Pin Header (see stud detail)

84BLN-AB1-XXXAN

N = Mounting Nuts Supplied and Shipped Loose, Blank = No Nuts Supplied
Led Color: A = Red, B = Yellow, C = Green, D = Orange
Standard Legends: -112 or -113 for 3x4, -014 or -016 for 4x4