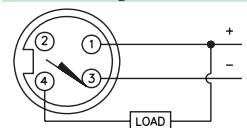
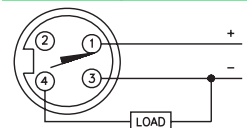
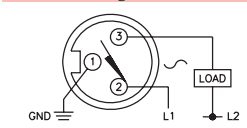


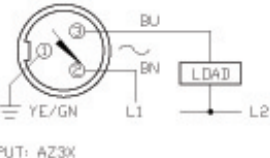
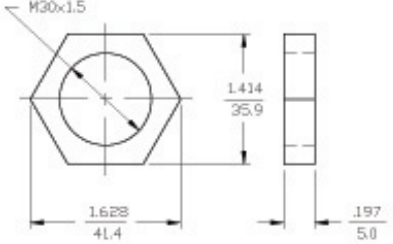
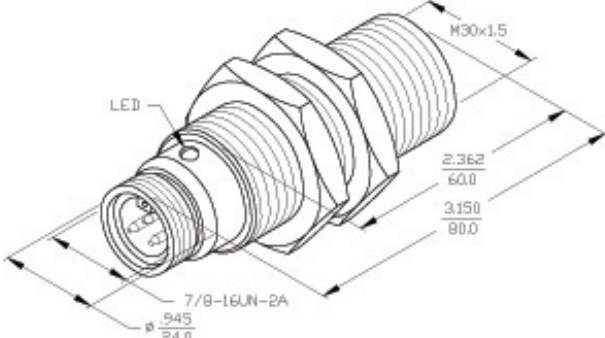
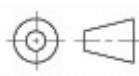

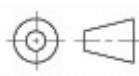

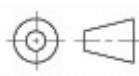

# Inductive Sensors



Housing Style	Part Number	ID Number	Features	Sensing Range (mm)	Output
<b>30 mm - Embeddable, minifast® Connection</b> 	Bi10-G30-AN6X-B1141	T4695400		10	3-Wire DC NPN
	Bi10-G30-AP6X-B1141	T4696500		10	3-Wire DC PNP
<b>30 mm - Embeddable, minifast Right Angle Connection</b> 	Bi10-G30-AN6X-B1441	T4695800		10	3-Wire DC NPN
	Bi10-G30-AP6X-B1441	T4696900		10	3-Wire DC PNP
<b>30 mm - Embeddable, minifast Connection</b> 	Bi10-G30-ADZ30X2-B1131	T4207500		10	2-Wire AC/DC Short-Circuit Protected
	Bi10U-G30-ADZ30X2-B1131	M4281612	<i>Uprox</i>	10	
	Bi15-EG30H-ADZ30X2-B1131	T4207292	<i>Extended Range</i>	15	
	Bi15-G30-ADZ30X2-B1131	T4207202	<i>Extended Range</i>	15	
	Bi10-G30-AZ3X-B1131	T4372200			10
<b>30 mm - Embeddable, minifast Connection</b> 	Bi10-EG30-AZ3X-B1131/S120	M4372202	<i>High Temp. +120° C</i>	10	2-Wire AC/DC

Voltage	Switching Freq. (Hz)	Operating Current (mA) VAC/VDC	Operating Temp. (°C)	Protection	Housing	Face	Power LED	Output LED	Mating Cordset	Wiring Diagram #	Wiring Diagrams
10-30 VDC	500	≤200	-25 to +70	IP 67	CPB	PA 12	N/A	YE	RKM 40-*M	1	<p><b>Diagram 1</b></p> 
10-30 VDC	500	≤200	-25 to +70	IP 67	CPB	PA 12	N/A	YE	RKM 40-*M	2	<p><b>Diagram 2</b></p> 
10-30 VDC	500	≤200	-25 to +70	IP 67	CPB	PA 12	N/A	YE	RKM 40-*M	1	<p><b>Diagram 3</b></p> 
10-30 VDC	500	≤200	-25 to +70	IP 67	CPB	PA 12	N/A	YE	RKM 40-*M	2	
20-250 VAC 10-300 VDC	20	≤400/300	-25 to +70	IP 67	CPB	PA 12	GN	RD	RKM 30-*M	3	
	20	≤400/300	-30 to +85	IP 67	CPB	PA 12	GN	YE	RKM 30-*M	3	
	20	≤400/300	-25 to +70	IP 67	SS	SF	GN	RD	RKV 30-*M	3	
	20	≤400/300	-25 to +70	IP 67	CPB	PA 12	GN	RD	RKM 30-*M	3	
20-250 VAC 10-300 VDC	20	≤400/300	-25 to +70	IP 67	CPB	PA 12	N/A	RD	RKM 30-*M	3	
20-250 VAC 10-300 VDC	20	≤400/300	-25 to +120	IP 67	CPB	PTFE	N/A	YE	2M/PTFE	3	

\* Length in meters.

WIRING DIAGRAMS	LOCKNUT LN-M30	SPECIFICATIONS																																															
 <p>OUTPUT: AZ3X</p> <p><b>WARNING: NO SHORT-CIRCUIT PROTECTION</b> ALWAYS WIRE A LOAD IN SERIES WITH THE SENSOR.</p>		<table border="1"> <tr><td>OPERATING VOLTAGE</td><td>20-250 VAC</td></tr> <tr><td>LINE FREQUENCY</td><td>40-60 Hz</td></tr> <tr><td>DIFFERENTIAL TRAVEL (HYSTERESIS)</td><td>3-15% (5% TYPICAL)</td></tr> <tr><td>VOLTAGE DROP ACROSS CONDUCTING SENSOR</td><td>≤7.0 V at 500 mA</td></tr> <tr><td>OUTPUT FUNCTION -AZ</td><td>NORMALLY OPEN 2-WIRE AC SELF-CONTAINED</td></tr> <tr><td>SHORT-CIRCUIT PROTECTED</td><td>NO</td></tr> <tr><td>CONTINUOUS LOAD CURRENT</td><td>≤500 mA</td></tr> <tr><td>OFF-STATE (LEAKAGE) CURRENT</td><td>≤1.7 mA</td></tr> <tr><td>MINIMUM LOAD CURRENT</td><td>≥5.0 mA</td></tr> <tr><td>INRUSH CURRENT</td><td>≤8.0 A(≤30 ns/5 Hz)</td></tr> <tr><td>TIME DELAY BEFORE AVAILABILITY</td><td>≤25 ms</td></tr> <tr><td>POWER-ON EFFECT PROTECTION</td><td>INCORPORATED</td></tr> <tr><td>PROTECTION AGAINST TRANSIENTS</td><td>5 kV, 10 ns, 10 kΩ</td></tr> <tr><td>OPERATING TEMPERATURE</td><td>-25°C to +70°C (-13°F to +158°F)</td></tr> <tr><td>ENCLOSURE</td><td>MEETS NEMA 1, 3, 4, 6, 13 AND IEC IP67</td></tr> <tr><td>SHOCK</td><td>30 g, 11 ms</td></tr> <tr><td>VIBRATION</td><td>55 Hz, 1 mm AMPLITUDE (ON ALL 3 PLANES)</td></tr> <tr><td>LED FUNCTION</td><td>RED OUTPUT ENERGIZED</td></tr> <tr><td>SENSING RANGE</td><td>10 mm = .394" (NOMINAL)</td></tr> <tr><td>SWITCHING FREQUENCY</td><td>20 Hz</td></tr> <tr><td>REPEATABILITY</td><td>≤2% OF RATED OPERATING DISTANCE</td></tr> <tr><td>EMBEDDABLE (SHIELDED)</td><td>YES</td></tr> <tr><td>MATING PLUGS/CABLES</td><td>3-PIN "MINI" CONSTRUCTION</td></tr> </table>		OPERATING VOLTAGE	20-250 VAC	LINE FREQUENCY	40-60 Hz	DIFFERENTIAL TRAVEL (HYSTERESIS)	3-15% (5% TYPICAL)	VOLTAGE DROP ACROSS CONDUCTING SENSOR	≤7.0 V at 500 mA	OUTPUT FUNCTION -AZ	NORMALLY OPEN 2-WIRE AC SELF-CONTAINED	SHORT-CIRCUIT PROTECTED	NO	CONTINUOUS LOAD CURRENT	≤500 mA	OFF-STATE (LEAKAGE) CURRENT	≤1.7 mA	MINIMUM LOAD CURRENT	≥5.0 mA	INRUSH CURRENT	≤8.0 A(≤30 ns/5 Hz)	TIME DELAY BEFORE AVAILABILITY	≤25 ms	POWER-ON EFFECT PROTECTION	INCORPORATED	PROTECTION AGAINST TRANSIENTS	5 kV, 10 ns, 10 kΩ	OPERATING TEMPERATURE	-25°C to +70°C (-13°F to +158°F)	ENCLOSURE	MEETS NEMA 1, 3, 4, 6, 13 AND IEC IP67	SHOCK	30 g, 11 ms	VIBRATION	55 Hz, 1 mm AMPLITUDE (ON ALL 3 PLANES)	LED FUNCTION	RED OUTPUT ENERGIZED	SENSING RANGE	10 mm = .394" (NOMINAL)	SWITCHING FREQUENCY	20 Hz	REPEATABILITY	≤2% OF RATED OPERATING DISTANCE	EMBEDDABLE (SHIELDED)	YES	MATING PLUGS/CABLES	3-PIN "MINI" CONSTRUCTION
OPERATING VOLTAGE	20-250 VAC																																																
LINE FREQUENCY	40-60 Hz																																																
DIFFERENTIAL TRAVEL (HYSTERESIS)	3-15% (5% TYPICAL)																																																
VOLTAGE DROP ACROSS CONDUCTING SENSOR	≤7.0 V at 500 mA																																																
OUTPUT FUNCTION -AZ	NORMALLY OPEN 2-WIRE AC SELF-CONTAINED																																																
SHORT-CIRCUIT PROTECTED	NO																																																
CONTINUOUS LOAD CURRENT	≤500 mA																																																
OFF-STATE (LEAKAGE) CURRENT	≤1.7 mA																																																
MINIMUM LOAD CURRENT	≥5.0 mA																																																
INRUSH CURRENT	≤8.0 A(≤30 ns/5 Hz)																																																
TIME DELAY BEFORE AVAILABILITY	≤25 ms																																																
POWER-ON EFFECT PROTECTION	INCORPORATED																																																
PROTECTION AGAINST TRANSIENTS	5 kV, 10 ns, 10 kΩ																																																
OPERATING TEMPERATURE	-25°C to +70°C (-13°F to +158°F)																																																
ENCLOSURE	MEETS NEMA 1, 3, 4, 6, 13 AND IEC IP67																																																
SHOCK	30 g, 11 ms																																																
VIBRATION	55 Hz, 1 mm AMPLITUDE (ON ALL 3 PLANES)																																																
LED FUNCTION	RED OUTPUT ENERGIZED																																																
SENSING RANGE	10 mm = .394" (NOMINAL)																																																
SWITCHING FREQUENCY	20 Hz																																																
REPEATABILITY	≤2% OF RATED OPERATING DISTANCE																																																
EMBEDDABLE (SHIELDED)	YES																																																
MATING PLUGS/CABLES	3-PIN "MINI" CONSTRUCTION																																																
		<table border="1"> <tr> <td>MATERIAL</td> <td>BRASS BARREL</td> <td>3RD ANGLE PROJECTION</td> <td rowspan="2">  </td> <td rowspan="2">  </td> </tr> <tr> <td>FINISH</td> <td>COPPER, NICKEL, CHROME PLATING</td> <td></td> </tr> <tr> <td>DRFT</td> <td>SMW</td> <td>DATE</td> <td>3/3/87</td> <td>PART NO./DESCR.</td> <td>B110-G30-AZ3X-B1131</td> </tr> <tr> <td>OSDN</td> <td></td> <td></td> <td>Y#</td> <td></td> <td></td> </tr> <tr> <td colspan="2">DIMENSION UNITS:</td> <td>SIZE</td> <td>ID NO.</td> <td>REV</td> <td></td> </tr> <tr> <td colspan="2">[INCHES]</td> <td>B</td> <td>4372200</td> <td>B</td> <td></td> </tr> <tr> <td colspan="2">[MILLIMETERS]</td> <td>SCALE</td> <td>NONE</td> <td>BMOD-A\4372200</td> <td>SHEET OF</td> </tr> </table>		MATERIAL	BRASS BARREL	3RD ANGLE PROJECTION			FINISH	COPPER, NICKEL, CHROME PLATING		DRFT	SMW	DATE	3/3/87	PART NO./DESCR.	B110-G30-AZ3X-B1131	OSDN			Y#			DIMENSION UNITS:		SIZE	ID NO.	REV		[INCHES]		B	4372200	B		[MILLIMETERS]		SCALE	NONE	BMOD-A\4372200	SHEET OF								
MATERIAL	BRASS BARREL	3RD ANGLE PROJECTION																																															
FINISH	COPPER, NICKEL, CHROME PLATING																																																
DRFT	SMW	DATE	3/3/87	PART NO./DESCR.	B110-G30-AZ3X-B1131																																												
OSDN			Y#																																														
DIMENSION UNITS:		SIZE	ID NO.	REV																																													
[INCHES]		B	4372200	B																																													
[MILLIMETERS]		SCALE	NONE	BMOD-A\4372200	SHEET OF																																												
<p>NOTES: 1. PROTECTIVE TEFLON CAP AVAILABLE FOR SENSING HEAD. TURK PART NO. CAP-30-PTFE.</p> <table border="1"> <tr> <td>B</td> <td>SEE REVISION DOCUMENT 4372200</td> <td>SWC</td> <td>12/28/93</td> <td></td> </tr> <tr> <td>REV</td> <td>DESCRIPTION</td> <td>DRFT</td> <td>DATE</td> <td>ECO NO.</td> </tr> <tr> <td></td> <td>REVISIONS</td> <td></td> <td></td> <td></td> </tr> </table>		B	SEE REVISION DOCUMENT 4372200	SWC	12/28/93		REV	DESCRIPTION	DRFT	DATE	ECO NO.		REVISIONS																																				
B	SEE REVISION DOCUMENT 4372200	SWC	12/28/93																																														
REV	DESCRIPTION	DRFT	DATE	ECO NO.																																													
	REVISIONS																																																