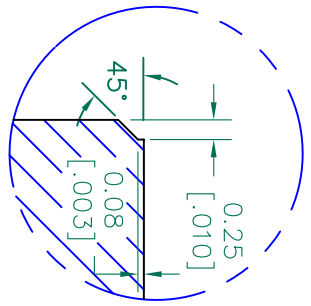
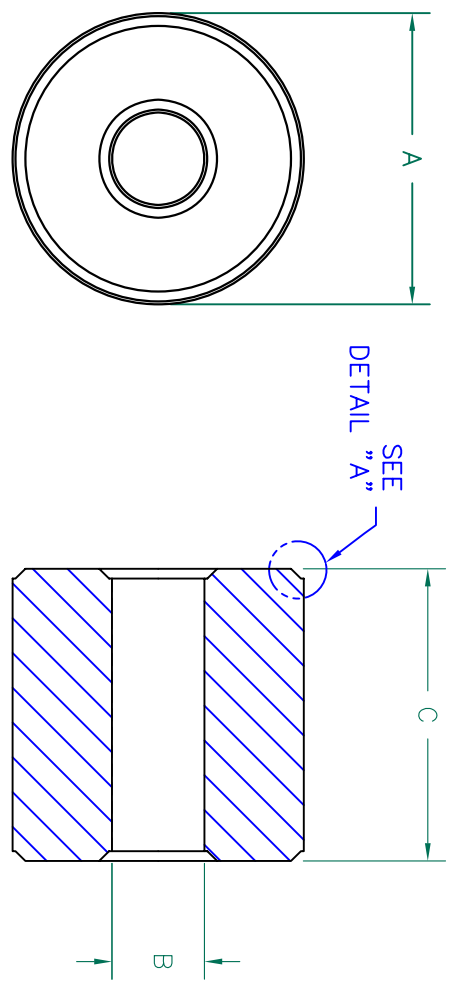
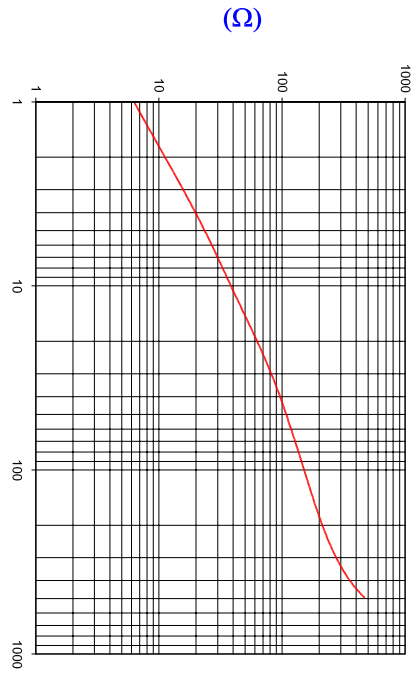


IMPEDANCE (Z)				
Frequency	25 MHz	100 MHz	300 MHz	
Nominal (REF)	75 Ω	160 Ω	270 Ω	
Minimum	- Ω	128 Ω	- Ω	

Z vs. FREQUENCY
(REF. ONLY)



DETAIL "A"
CHAMFER
SCALE=7:1

UNCONTROLLED DOCUMENT

AGILENT E4991A Impedance/Material Analyzer
HP 16092A Test Fixture
FERRITE CORE DIMENSIONS :

A	7.52 [.296]	+	0.15 [.006]
B	2.39 [.094]	+	0.15 [.006]
C	7.54 [.297]	+	0.25 [.010]

WEIGHT/1000 1.45 kgs [3.25 Lbs]

DIMENSIONS ARE IN mm [INCHES].

REV	DESCRIPTION	DATE	INT
F	CHANGE TOLERANCE AND UPDATE THE LOGO	10/27/09	Jcd
E	UPDATE FORMAT,CURVE, UPDATE Z SPECS	05/12/03	JRK
D	UPDATE FORMAT, UPDATE Z SPECS	11/15/02	JRK
C	UPDATE PRINT FORMAT	04/02/02	JRK
B	UPDATE FORMAT	03/15/99	I.S.
A	ORIGINAL DRAFT	08/03/92	LNK

This print is the property of Laird Techn. and is loaned in confidence subject to return upon request and with the understanding that no copies shall be made without the written consent of Laird Techn. All rights to design or invention are reserved.



PROJECT/PART NUMBER:	REV	PART TYPE:	DRAWN BY:
28B0296-000	F	FERRITE CORE	LNK
DATE: 08/03/92	SCALE: 5:1		
CAD # 28B0296-000-F	TOOL # B0296		
			MATERIAL: Ferrite

SCALE DRAWING 1:1



28B0296-000