

STABILINE®

**DIN2R-40 Series — Surge Protective Devices (SPD)
Parallel-Connected Design/Single Pole (Mode) Protectors**



UL Recognized for USA and Canada

DIN2R-40 Series Benefits

- ◆ **DIN Rail mountable surge protection devices**
- ◆ **Replaceable SPD modules**
 - **eliminate costly, time-consuming replacement wiring**
 - **simple snap "in/out" design for rapid maintenance**
 - **compact, lightweight yet rugged**
- ◆ **Visual monitor advises protection present status**
- ◆ **Model choices allow for single mode or all-mode protection strategies**
- ◆ **Each protector module / fixed base are "keyed" to ensure proper application**
- ◆ **All protectors (except N-G model) equipped with signaling relay contacts for remote monitoring of protection status**

Replaceable Plug-In Surge Protection Module

DIN2R-40 Series STABILINE Transient Voltage Surge Suppressors are single pole, parallel-connected, MOV technology Class II, Category B Surge Protective Devices suitable for use in AC electrical power systems for protection against surge and transient activity. Each protector provides 40 kA Surge Amp Capacity protection in maintenance free, low profile, IP20 enclosure, DIN Rail mountable module.

Installation

DIN2R-40 Protectors are installed/connected in parallel with the line and the equipment to be protected. The DIN2R-40 unit should be installed down stream of a 125 A maximum fuse or breaker. If pre-existing fuses or breakers are present, then the fusing or breaker used for the DIN2R-40 protector should have a lower rating in order to be properly coordinated, as per applicable electrical regulatory standards. The short circuit current rating for these DIN2R-40 protectors are 25,000 Amps using a 50A Class J time delayed fuse.

Remote Monitoring

All DIN2R-40 protectors (except N - G protector) come standard with one remote monitoring relay with "dry Form C contacts" per module. The contact can be used to drive several different types of indicators such as a remote light indicator or an audible alarm. The contact ratings are 250V RMS max, 2A max. The connection to the remote signal is through the screw terminals.

Visual Protection Status

All DIN2R-40 protectors are maintenance free devices. If the unit is subjected to a prolonged over-voltage condition, an internal thermal element will activate, disconnecting the DIN2R-40 from the line. When the unit is no longer providing protection the window on the front of the DIN2R-40 becomes red and a replacement module will be required.

Automatic Voltage Regulators • Power Conditioners • Uninterruptible Power Supplies

DIN2R-40 Series Features

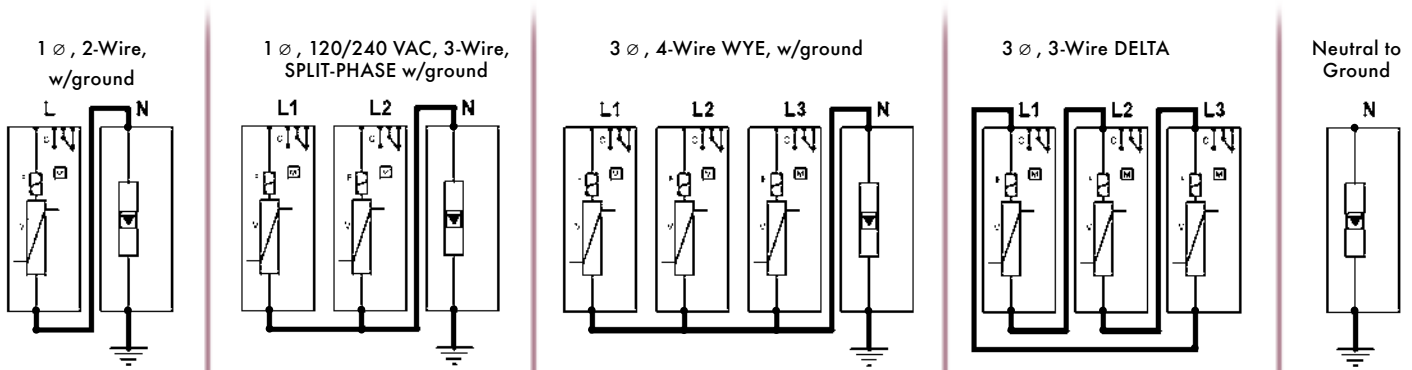
- ◆ 120,220, 240-277, 480 VAC and N-G models
- ◆ Replaceable plug-in surge protection module and fixed base
- ◆ Form C (SPDT) relay contacts for remote monitoring
- ◆ Low profile, DIN Rail (35mm symmetrical) mounting
- ◆ Window monitor allows for visual protection status of MOV Element
- ◆ 10 -Year warranty
- ◆ 40 kA surge amp capacity protection
- ◆ Protectors incorporate internal thermal disconnect system
- ◆ UL 1449, 2nd Edition

Model Numbers	Typical Service Configurations	Protection Mode	Protector Quantity Required (Quantities in both columns are needed)		Replacement Modules
			Line Voltage Version	N-G Version	
DIN2R-40-120-L1	1 Ø, 120 VAC, 2-Wire, w/ground	L-N, N-G	1	1	DIN2R-40-120-M
	1 Ø, 120/240 VAC, 3-Wire SPLIT-PHASE, w/ground	L-N / L-N, N-G	2	1	
	3 Ø, 208Y/120 VAC, 4-Wire WYE, w/ground	L-N / L-N / L-N, N-G	3	1	
DIN2R-40-220-L1	1 Ø, 220 VAC, 2-Wire, w/ground	L-N, N-G	1	1	DIN2R-40-220-M
	3 Ø, 380Y/220 VAC, 4-Wire WYE, w/ground	L-N / L-N / L-N, N-G	3	1	
	3 Ø, 220 VAC, 3-Wire DELTA	L-L / L-L / L-L	3	N/A	
DIN2R-40-277-L1	1 Ø, 240-277 VAC, 2-Wire, w/ground	L-N, N-G	1	1	DIN2R-40-277-M
	3 Ø, 480Y/277 VAC, 4-Wire WYE, w/ground	L-N / L-N / L-N, N-G	3	1	
DIN2R-40-480-L1	1 Ø, 480 VAC, 2-Wire, w/grounded neutral	L-N, N-G	1	1	DIN2R-40-480-M
	3 Ø, 380 or 480 VAC, 3-Wire DELTA	L-L / L-L / L-L	3	N/A	
DIN2R-40-NG1	120, 120/240, 220, 277, 380, 480 VAC Neutral to Ground	N-G	N/A	1	DIN2R-40-NG1-M

● For a minimum of (20) 8 x 20usec surges ● UL 1449 2nd Edition, (6kV, 500A 8 x 20usec) Surge Voltage Rating ● C3 Combination Wave, 20kV, 8 x 20usec, 10kA

Typical Service Configurations

Contact factory for additional configurations

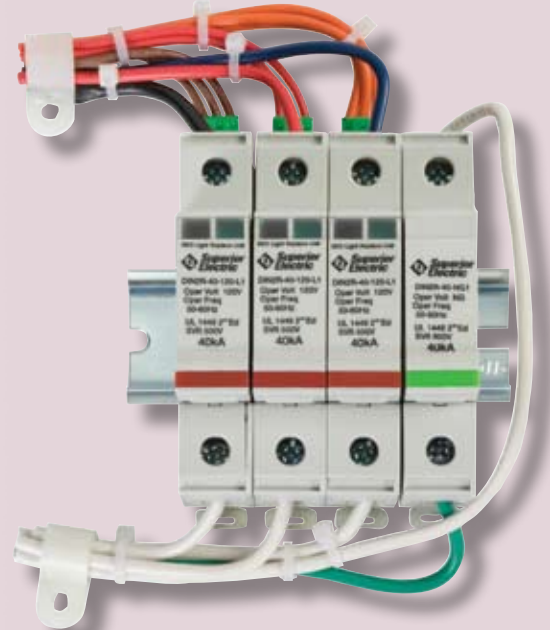


REPLACEMENT MODULES

Applications

- ◆ Control panels feeding PLCs, VSDs and other control system components
- ◆ Surveillance and irrigation control systems
- ◆ Lighting and fire alarm systems

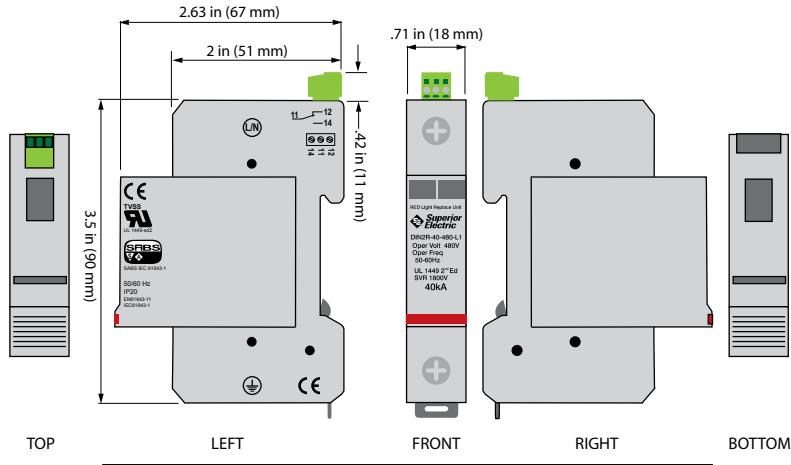
	Surge Performance				
	MCOV	Max Surge Current Rating	Nominal Surge Current Rating ①	UL 1449 SVR Rating ②	C3 Comb Wave ③
MOD	150 VAC	40 kA	20 kA	500 VAC	500 VAC
MOD	255 VAC	40 kA	20 kA	700 VAC	900 VAC
MOD	320 VAC	40 kA	20 kA	800 VAC	1000 VAC
MOD	550 VAC	40 kA	20 kA	1800 VAC	2100 VAC
MOD	600 VAC	40 kA	20 kA	800 VAC	500 VAC



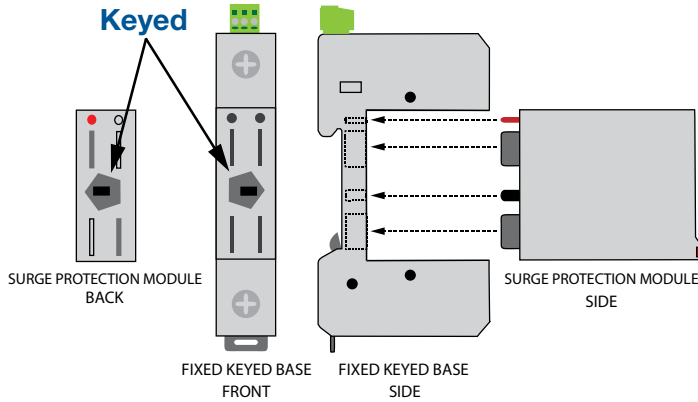
Specifications

General	Standards Compliance and Safety Approvals:	Meets UL 1449, 2nd Edition, EN61643-11 (Europe), ANSIIIIEEE C62.41-2002, NF EN 61643-11 (France), VDE0675-6, CSA-22.2 and CE marked
	Warranty:	Ten Years
Environmental	Operating Temperature:	-40° C to 85° C (-40° F to 185° F)
	Relative Humidity:	5% to 95% non-condensing
	Max. Operating Attitude:	4,000 meters (13,000 feet)
Mechanical	Enclosure:	IP20 enclosures (UL94VO thermoplastic housing material)
	Surge Protection:	Replaceable plug-in surge protection module and fixed base
	Mounting:	DIN Rail 35mm symmetrical
	Connection Method:	Screw terminal # 4 - 10 AWG
	Size (H x W x D):	3.5 x .71 x 2.63 inches (90.0 x 18.0 x 67 mm)
	Weight (Shipping):	0.25 lbs (0.11 kg)
Electrical	Modes of Protection:	L-N; L-G; L-L protectors use MOV technology and N-G protector uses Gas Tube
	Input Power Frequency:	47-64 Hz
	Associated Fusing:	DIN2R-40 protectors incorporate an internal thermal disconnect system with time-delayed Class J,30A-125A over current fuses

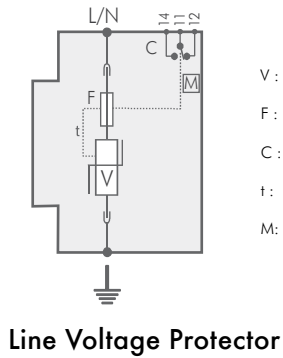
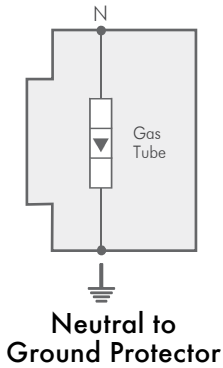
Dimensions



Each protector module and fixed base are "keyed" for service configuration

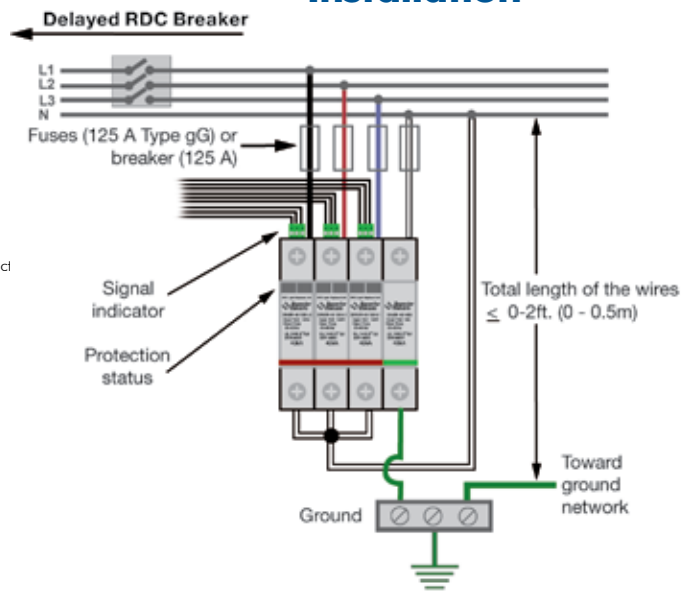


Internal Schematics



- V : Heavy Duty Varistor
- F : Thermal Fuse
- C : Remote and Signal Contact
- t : Thermal Disconnect
- M : Monitor (Window)

Installation



(Example: Service Configuration 3Ø, 4-Wire WYE, w/ground)



28 Spring Lane • Suite 3
Farmington, CT 06032 USA
www.superiorelectric.com
info@superiorelectric.com

Telephone and Fax Numbers

Telephone: 860-507-2025
 Fax: 860-507-2050
 Customer Service: 860-507-2025, Ext 70782
 Product Application: 860-507-2025, Ext 72058

Toll-Free (in USA and Canada only)

1-800-787-3532
 1-800-821-1369
 1-800-787-3532, Ext 70782
 1-800-787-3532, Ext 72058

