

General characteristics

Noise data

Acoustic measurements made at a distance of 1.0 metre from the surface of the fan (inner side) and 45° radially off the fan axis.

Air flow performance data

The performance data were determined in accordance with AMCA standard 210-74 on a double chamber test set up with measurement on the suction side.

Overload

All Crouzet fans have integrated protection against locked rotor condition to avoid damage to windings and electronic components. Restarting is automatic as soon as any constraints on running have been removed.

Bearing systems

All Crouzet fans have specially designed and precision lubricated sleeve bearings for long, maintenance-free performance at low noise level. Ball bearing on request.

Safety

All fans are designed and manufactured in conformance with the requirements of UL, CSA and VDE.

Life

AC fans

Bearings sleeve

□ 120 x 38 mm	100 000 hours at 25 °C 25 000 hours at 55 °C 10 000 hours at 70 °C
□ 82 x 25 mm 80 x 38 mm 80 x 25 mm	80 000 hours at 25 °C 20 000 hours at 55 °C 10 000 hours at 70 °C

AC fans

Ball bearings

□ 120 x 38 mm	100 000 hours at 25 °C 25 000 hours at 55 °C 10 000 hours at 70 °C
□ 82 x 25 mm 80 x 38 mm 80 x 25 mm	80 000 hours at 25 °C 25 000 hours at 55 °C 10 000 hours at 80 °C

DC fans

Bearings sleeve

□ 120 x 38 mm 92 x 25 mm 80 x 25 mm	100 000 hours at 25 °C 80 000 hours at 25 °C 80 000 hours at 25 °C
□ 80 x 25 mm	65 000 hours at 25 °C 30 000 hours at 55 °C 20 000 hours at 65 °C

Operating temperature

AC :	-10 °C at + 70 °C
DC :	0 °C at + 70 °C

Storage temperature

AC :	-30 °C at + 75 °C
DC :	-30 °C at + 75 °C

Operating voltage

AC :	115 V : 85 V - 125 V 220 V : 185 V - 245 V
DC :	12 V : 10.2 V - 13.8 V 24 V : 20.4 V - 27.6 V

Dielectric strength

AC :	1500 V ~ for one minute
DC :	600 V ~ for 2 seconds

Insulation resistance

AC :	500 V = 100 M
DC :	250 V = 10 M

Flow conversion table

	CFM	m ³ /h	m ³ /min	l/min	l/s
1 CFM	1	1.7	0.028	28.3	0.47
1 m ³ /h	0.588	1	0.017	16.67	0.28
1 m ³ /min	35.28	60	1	1000	16.67
1 l/min	0.035	0.06	0.001	1	0.017
1 l/s	2.12	3.6	0.06	60	1

The new KDE range

Self-commutated DC fans

The range of DC fans have the advantage of a new, patented design referred to as "single winding".

This new range, the KDE range, forms a useful replacement for the MD range and provides the following improvements:

- higher air flow thanks to smaller motor diameter,
- quieter (gain of at least 2 dB),
- longer life,
- greater dielectric strength.

The new range offers upward compatibility (1) with the MD range (see table below) and allows us to offer fans even more compact than the 0 x 0, 0 x 0, 0 x 0, and 0 x 0 models.

(1) Current consumption should be checked however, as it may be higher in some cases.

Old part no	New part no	Old part no	New part no
□ 60		□ 120	
99 486 177	99 484 401	99 487 477	99 484 001
99 486 179	99 484 403	99 487 478	99 484 003
99 486 179	99 484 404	99 487 479	99 484 004
□ 80		99 487 487	99 484 005
99 486 277	99 484 301	99 487 488	99 484 007
99 486 279	99 484 303	99 487 489	99 484 008
99 486 287	99 484 304	99 487 377	99 484 101
99 486 287	99 484 354	99 487 378	99 484 102
99 486 289	99 484 306	99 487 379	99 484 103
□ 92		99 487 387	99 484 104
99 486 377	99 484 201	99 487 388	99 484 105
99 486 377	99 484 251	99 487 389	99 484 106
99 486 379	99 484 203		
99 486 387	99 484 204		
99 486 389	99 484 206		

AC Axial Fans



General Specifications

Material:
Body Aluminum
Fan PBT UL 94V-0

Insulation: Class B

Approvals: UL, cUL
Recognized
VDE pending
E118508

Box Count:

172 x 51 12 pieces
120 x 38 40 pieces
120 x 25 40 pieces
92 x 25 50 pieces
80 x 38 50 pieces
80 x 25 50 pieces

Part Number	Voltage (V)	Frequency (Hz)	Current (A) [50/60 Hz]	Speed (RPM) [50/60 Hz]	Power (W) [50/60 Hz]	Airflow (CFM) [50/60 Hz]	Maximum Air Pressure (Inch-H2O) [50/60 Hz]	Noise (dBA) [50/60 Hz]	Weight (g)	Connection	Bearing Type
172 x 151 x 51mm (6 3/4 x 6 x 2")											
99489701	115	50/60	0.60/0.55	2800/3200	49/45	180/200	0.48/0.48	52/55	942	Terminals	Ball
99489702	220/240	50/60	0.25/0.22	2650/2800	39/35	178/192	0.38/0.44	52/54	942	Terminals	Ball
99489703	115	50/60	0.60/0.55	2650/2950	49/45	180/200	0.48/0.48	52/55	942	Leads	Ball
99489704	220/240	50/60	0.25/0.22	2600/2800	39/35	178/192	0.38/0.44	52/54	942	Leads	Ball
120 x 120 x 38mm (4 3/4 x 1 1/2")											
99487421	220/240	50/60	0.14/0.12	2700/3100	22/21	95/115	0.33/0.38	44/48	550	Leads	Sleeve
99487420	220/240	50/60	0.14/0.12	2700/3100	22/21	95/115	0.33/0.38	44/48	550	Terminals	Sleeve
99487400	220/240	50/60	0.13/0.11	2550/2900	20/19	85/105	0.25/0.30	43/48	550	Leads	Sleeve
99487401	220/240	50/60	0.13/0.11	2550/2900	20/19	85/105	0.25/0.30	43/48	550	Terminals	Sleeve
99487405	220/240	50/60	0.08/0.06	2000/2200	10/10	70/76	0.08/0.12	36/38	550	Leads	Sleeve
99487403	220/240	50/60	0.08/0.06	2000/2200	10/10	70/76	0.08/0.12	36/38	550	Terminals	Sleeve
99487410	115	50/60	0.12/0.18	2550/2900	20/18	85/105	0.25/0.30	43/48	550	Leads	Sleeve
99487411	115	50/60	0.12/0.18	2550/2900	20/18	85/105	0.25/0.30	43/48	550	Terminals	Sleeve
99487415	115	50/60	0.13/0.11	2000/2200	11/11	70/76	0.08/0.12	36/38	550	Leads	Sleeve
99487413	115	50/60	0.13/0.11	2000/2200	11/11	70/76	0.08/0.12	36/38	550	Terminals	Sleeve
99489421	220/240	50/60	0.14/0.12	2850/3150	22/21	97/117	0.34/0.39	45/50	550	Leads	Ball
99489420	220/240	50/60	0.14/0.12	2850/3150	22/21	97/117	0.34/0.39	45/50	550	Terminals	Ball
99489400	220/240	50/60	0.12/0.18	2750/3050	20/19	87/107	0.28/0.32	45/50	550	Leads	Ball
99489401	220/240	50/60	0.12/0.18	2750/3050	20/19	87/107	0.28/0.32	45/50	550	Terminals	Ball
99489405	220/240	50/60	0.08/0.06	2150/2300	10/10	72/78	0.09/0.13	37/39	550	Leads	Ball
99489403	220/240	50/60	0.08/0.06	2150/2300	10/10	72/78	0.09/0.13	37/39	550	Terminals	Ball
99489431	115	50/60	0.26/0.24	2850/3150	22/20	97/117	0.34/0.39	45/50	550	Leads	Ball
99489430	115	50/60	0.26/0.24	2850/3150	22/20	97/117	0.34/0.39	45/50	550	Terminals	Ball
99489410	115	50/60	0.12/0.18	2750/3050	20/18	87/107	0.28/0.32	45/50	550	Leads	Ball
99489411	115	50/60	0.12/0.18	2750/3050	20/18	87/107	0.28/0.32	45/50	550	Terminals	Ball
99489415	115	50/60	0.13/0.11	2150/2300	11/11	72/78	0.09/0.13	37/39	550	Leads	Ball
99489413	115	50/60	0.13/0.11	2150/2300	11/11	72/78	0.09/0.13	37/39	550	Terminals	Ball
120 x 120 x 25mm (4 3/4 x 1")											
99489301	220/240	50/60	0.09/0.09	2150/2300	19/18	66/78	0.14/0.16	44/46	330	Terminals	Ball
92 x 92 x 25mm (3 9/16 x 1")											
99487104	220/240	50/60	0.07/0.06	2250/2750	14.5/14	29/36	0.12/0.18	36/39	280	Leads	Sleeve
99487102	220/240	50/60	0.07/0.06	2250/2750	14.5/14	29/36	0.12/0.18	36/39	280	Terminals	Sleeve
99487114	115	50/60	0.12/0.11	2250/2750	13/12	29/36	0.12/0.18	36/39	280	Leads	Sleeve
99487112	115	50/60	0.12/0.11	2250/2750	13/12	29/36	0.12/0.18	36/39	280	Terminals	Sleeve
99489102	220/240	50/60	0.07/0.06	2350/2850	14.5/14	30/37	0.13/0.19	37/40	280	Terminals	Ball

Other Information

For dimensions and air flow performance see page 154.

To Order, Specify:

99484002

Standard, normally stocked products

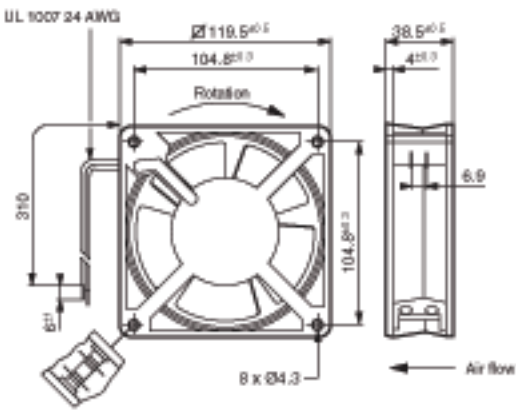
99484003

Products produced to order - minimum quantities may apply

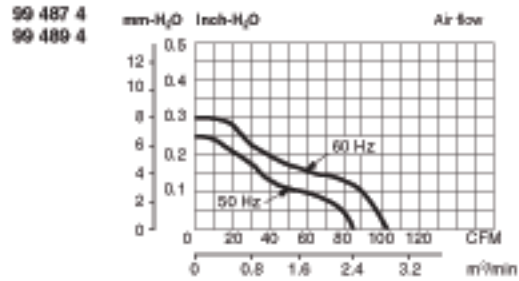
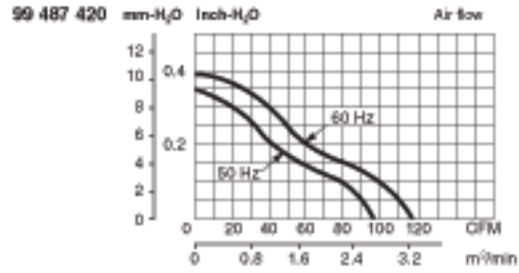
AC Axial Fans - Dimensions and Performance

Dimensions

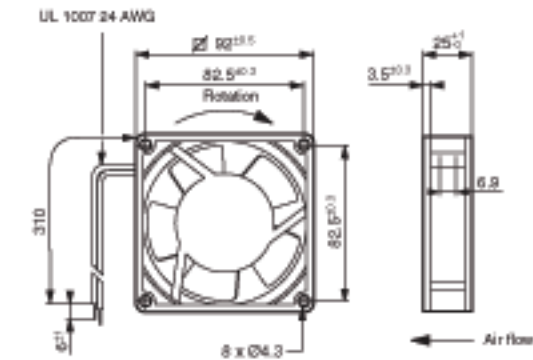
Ø 120 x 38



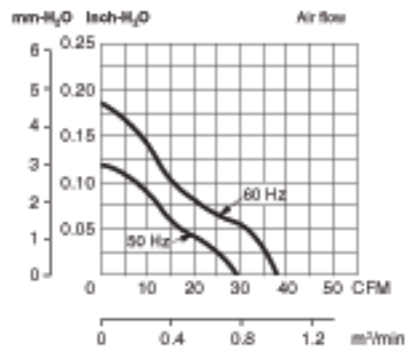
Air performance



Ø 92 x 25

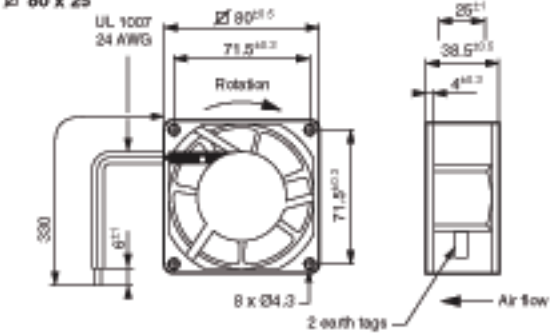


99 487 1



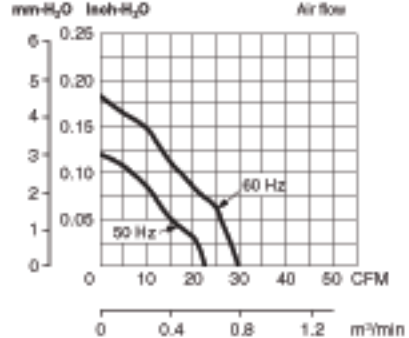
Ø 80 x 38

Ø 80 x 25



99 486 914

99 486 904



99 486 814

99 486 804

