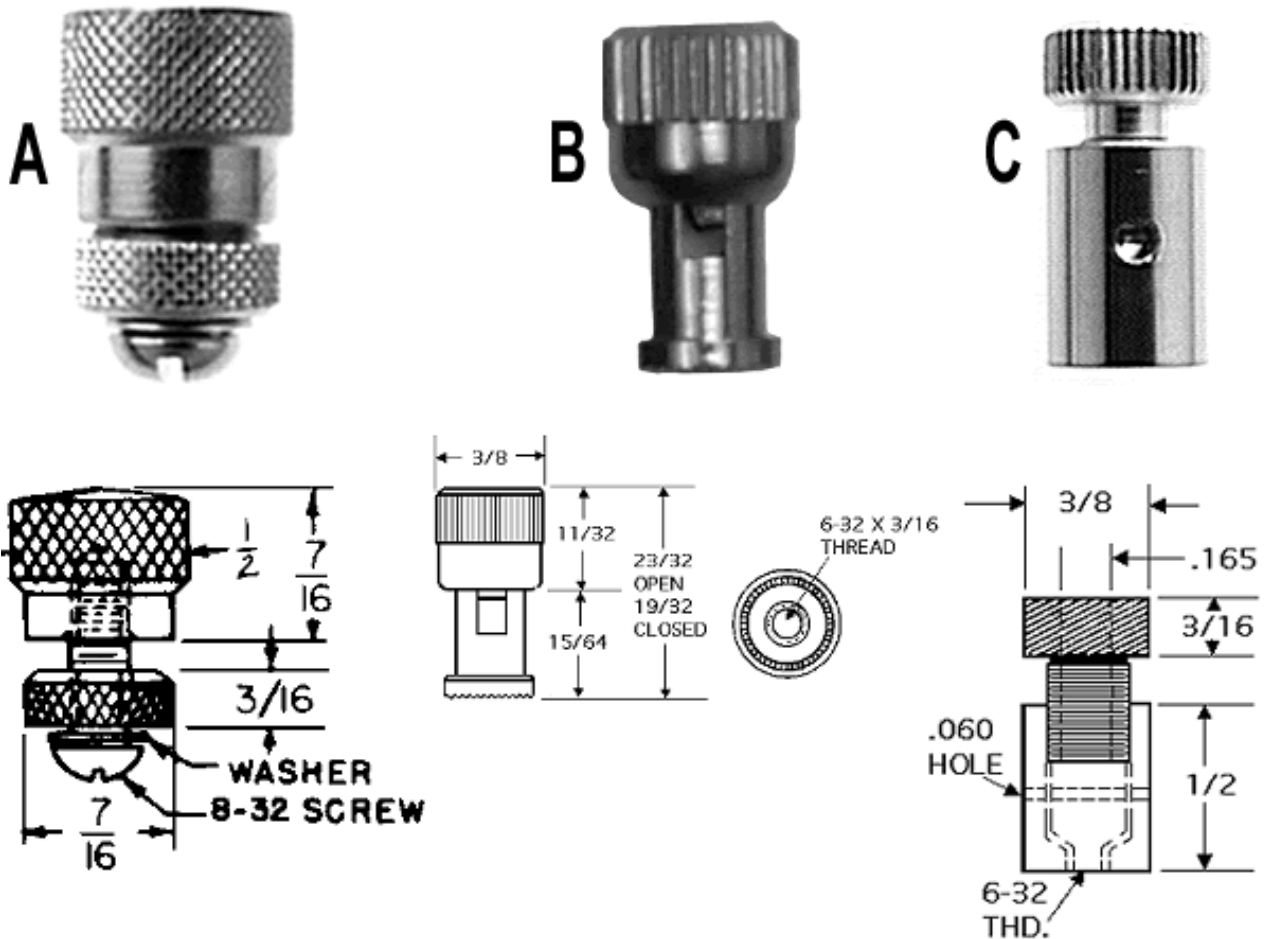


Knob Type Binding Posts

- Where only a simple, grounded, single wire connection is to be made to a panel or chassis, these metal compression type posts are recommended
- Body is brass with tin plating, as are heads on part numbers 209 and 1807
- Insulated washers are molded polycarbonate and completely insulate post from panel. Keyed to panel and body to prevent rotation
- Body mounts into dual holes with 3/4" centers
- Connects with .080" phone tip plug, spade lug(1/4") standard banana plug, alligator clip, wire(to #14) and shorting links
- To connect circuit, wrap wire around solder turret or attach to solder lug between nuts(Lug not supplied)
- All posts shown here are available for alternating head colors in red or black as indicated in table

[More information about Binding Posts](#)



PART NO.	FIGURE	MOUNTING HOLE	MOUNTING THREAD
110	A	#8	8-32 Screw
159	B	#6	6-32 Thread
136	C	#6	6-32 Thread

Inventory Search

Cross Reference

UPS Tracking

632 Arch Street, POB
726 Meadville, PA
16335 USA 814-724-
6440 [Contact](#)
[Webmaster](#)
© May 6, 2005

