

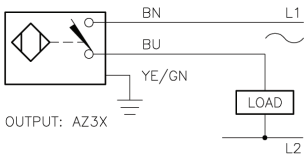
Inductive Sensors



Housing Style	Part Number	ID Number	Features	Sensing Range (mm)	Output	
30 mm - Embeddable, Potted-In Cable 	Bi10-G30K-AD4X	T4670695	Short Barrel	10	2-Wire DC	
	Bi10-G30K-AN6X	T4671600	Short Barrel	10	3-Wire DC NPN	
	Bi10-G30K-AP6X	T4670600	Short Barrel	10	3-Wire DC PNP	
	Bi15-G30K-AP6X	T4207300	Short Barrel	15		
	Bi10-G30-Y0	T1006200	Short Barrel	10	2-Wire DC NAMUR	
	Bi10-G30-Y0X	T4020000	Short Barrel	10		
Bi10-G30-Y0X/S90	T4617691		10			
30 mm - Embeddable, Potted-In Cable 	Bi10-G30-AN6X	T4647500		10	3-Wire DC NPN	
	Bi10-G30-AN7X	T1714800		10		
	Bi10-G30-AP6X	T4647400			10	3-Wire DC PNP
	Bi10-EG30-ADZ30X2	T4256095			10	2-Wire AC/DC Short-Circuit Protection
	Bi10-G30-ADZ30X2	T4207000			10	
	Bi15-G30-ADZ30X2	T4207200			15	
Bi10-EG30-AZ3X	T4345699			10	2-Wire AC/DC	
Bi10-G30-AZ3X	T4345400			10		
30 mm - Embeddable, Potted-In Cable, Teflon Coated 	Bi10-GT30-ADZ30X2/S34	T4256000	WFI	10	2-Wire AC/DC Short-Circuit Protection	

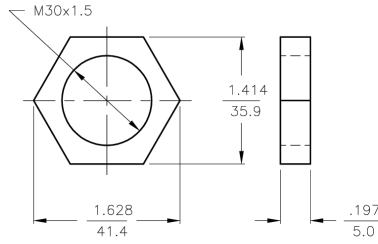
Voltage	Switching Freq. (Hz)	Operating Current AC/DC (mA)	Operating Temp. (°C)	Protection	Housing	Face	End Cap	Power LED	Output LED	Cable Length/ Cable /Mat.	Wiring Diagram #	Wiring Diagrams
10-65 VDC	500	≤100	-25 to +70	IP 67	CPB	PA 12	EPTR	N/A	YE	2M/PVC	1	Diagram 1
10-30 VDC	500	≤200	-25 to +70	IP 67	CPB	PA 12	EPTR	N/A	YE	2M/PVC	2	
10-30 VDC	500	≤200	-25 to +70	IP 67	CPB	PA 12	EPTR	N/A	YE	2M/PVC	3	Diagram 2
	500	≤200	-25 to +70	IP 67	CPB	PA 12	EPTR	N/A	YE	2M/PVC	3	
5-30 VDC	200	Remote	-25 to +70	IP 67	CPB	PA 12	EPTR	N/A	N/A	2M/PVC	4	Diagram 3
	200	Remote	-25 to +70	IP 67	CPB	PA 12	EPTR	N/A	YE	2M/PVC	4	
	200	Remote	-25 to +70	IP 67	CPB	EPTR	EPTR	N/A	YE	2M/PUR	4	
10-30 VDC	500	≤200	-25 to +70	IP 67	CPB	PA 12	EPTR	N/A	YE	2M/PVC	2	Diagram 3
	500	≤200	-25 to +70	IP 67	CPB	PA 12	EPTR	N/A	YE	2M/PVC	2	
10-30 VDC	500	≤200	-25 to +70	IP 67	CPB	PA 12	EPTR	N/A	YE	2M/PVC	3	
20-250 VAC 10-300 VDC	20	≤400/300	-25 to +70	IP 67	SS	PA 12	EPTR	GN	RD	2M/PVC	5	Diagram 4
	20	≤400/300	-25 to +70	IP 67	CPB	PA 12	EPTR	GN	RD	2M/PVC	5	
	20	≤400/300	-25 to +70	IP 67	CPB	PA 12	EPTR	GN	RD	2M/PVC	5	
20-250 VAC 10-300 VDC	20	≤400/300	-25 to +70	IP 67	SS	PA 12	EPTR	N/A	YE	2M/PVC	5	Diagram 5
	20	≤400/300	-25 to +70	IP 67	CPB	PA 12	EPTR	N/A	YE	2M/PVC	5	
20-250 VAC 10-300 VDC	20	≤400/300	-25 to +70	IP 67	TC	TC	EPTR	GN	RD	2M/PVC	5	

WIRING DIAGRAMS



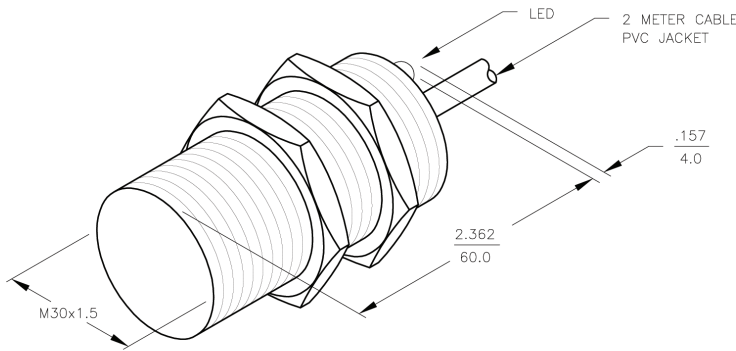
WARNING: NO SHORT-CIRCUIT PROTECTION.
ALWAYS WIRE A LOAD IN SERIES WITH THE SENSOR.

LOCKNUT LN-M30



SPECIFICATIONS

OPERATING VOLTAGE	20-250 VAC/DC
LINE FREQUENCY	40-60 Hz
DIFFERENTIAL TRAVEL (HYSTERESIS)	3-15% (5% TYPICAL)
VOLTAGE DROP ACROSS CONDUCTING SENSOR	≤ 7.0 V at 500 mA
OUTPUT FUNCTION -AZ	NORMALLY OPEN 2-WIRE AC SELF-CONTAINED
SHORT-CIRCUIT PROTECTED	NO
CONTINUOUS LOAD CURRENT	≤ 500 mA
OFF-STATE (LEAKAGE) CURRENT	≤ 1.7 mA
MINIMUM LOAD CURRENT	≥ 5.0 mA
INRUSH CURRENT	≤ 8.0 A (≤ 10 ms/5 Hz)
TIME DELAY BEFORE AVAILABILITY	≤ 25 ms
POWER-ON EFFECT PROTECTION	INCORPORATED
PROTECTION AGAINST TRANSIENTS	5 kV, 10 ms, 10 kΩ
OPERATING TEMPERATURE	-25°C to +70°C (-13°F to +158°F)
ENCLOSURE	MEETS NEMA 1, 3, 4, 6, 13 AND IEC IP67
SHOCK	30 g, 11 ms
VIBRATION	55 Hz, 1 mm AMPLITUDE (IN ALL 3 PLANES)
LED FUNCTION	RED: OUTPUT ENERGIZED
SENSING RANGE	10 mm = .394" (NOMINAL)
SWITCHING FREQUENCY	20 Hz
REPEATABILITY	≤ 2% of RATED OPERATING DISTANCE
EMBEDDABLE (SHIELDED)	YES



RELATED DOCUMENTS 1. 2. 3. 4.	3RD ANGLE PROJECTION 	THIS DRAWING IS PROPERTY OF TURCK INC. USE OF THIS DOCUMENT WITHOUT WRITTEN PERMISSION IS PROHIBITED.		TURCK INC High Technology Sensors and Automation Controls	
	MATERIAL BRASS BARREL	TOLERANCES UNLESS OTHERWISE SPECIFIED .X ±0.02 .XX ±0.01 .XXX ±0.005 ANGLES ±1° ALL MILLIMETER DIMENSIONS ARE REFERENCE ONLY	DRFT GMB DSGN	DATE 7/11/88 SCALE NONE	DESCRIPTION B110-G30-AZ3X
FINISH COPPER, NICKEL, CHROME PLATING		UNIT OF MEASUREMENT INCH [MILLIMETER]		IDENTIFICATION NO. T4345400	REV D
D UPDATE OPERATING VOLTAGE, SEE ECO	RWC 08/09/07 18320	DO NOT SCALE THIS DRAWING		FILE: T4345400	SHEET 1 OF 1
REV DESCRIPTION	BY DATE ECO NO.				