

Current refinements (click  to remove)

[Search Tips](#) 
 [Region](#)  [USA](#)  [Product Family](#)  [One-Hole, Single Barrel Lug](#)  [Text Search: 'LAMA2/0-14-QY'](#)
[Joint Compounds](#)
**Your search criteria matched only one product, shown below.**


For Use with Stranded Aluminum or Copper Code Conductors

- Made from high strength, extruded aluminum alloy to provide premium electrical and mechanical performance
- Tin-plated to inhibit corrosion
- Compact design saves space
- Wide wire range-taking capability minimizes inventory requirements
- Inspection window to visually assure full conductor insertion
- Plated steel or aluminum set screw provides high strength, durable electrical contact between conductor and connector
- UL Listed and CSA Certified for use up to 600 V and UL temperature rated 90°C

Part Number:	LAMA2/0-14-QY
RoHS Compliancy Status:	Compliant
Note:	LAMA2/0-14-QY replaces LAMA2/0-14-Q
Part Description:	Aluminum, single barrel, one-hole tongue connector, type LAMA.
Product Type:	Mechanical Connectors - Lugs
CSA Certified:	Yes
UL Listed:	Yes
Height (In.):	.81
Height (mm):	20.6
Length (In.):	1.47
Length (mm):	37.3
Stud Hole Size (In.):	1/4
Tongue Width (In.):	.62
Aluminum or Copper Conductor Size Range:	#14 AWG – 2/0 AWG
Tightening Torque (In-Lbs):	50*
Tongue Length:	.84
Tongue Thickness:	.19
Tongue Width (mm):	15.7
Min. Order UOM:	PC
Min. Order Qty.:	1
BOM Qty. (# of Pkgs.)	

[Add to My Catalog](#)

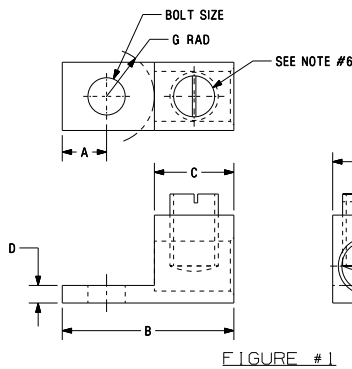


FIGURE #1

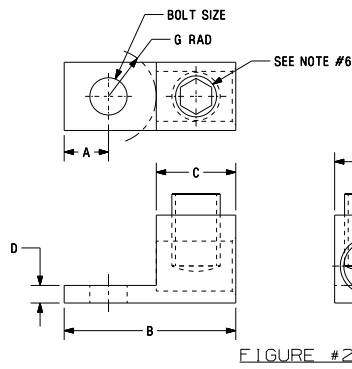


FIGURE #2

NOTES:

1. U.L. LISTED PER 486B UP TO 600V. TEMPERATURE RATED 90° C
2. C.S.A. CERTIFIED UP TO 600V.
3. ALUMINUM PARTS AND SCREWS ARE TIN PLATED. STEEL SCREWS ARE ZINC PLATED
4. TO BE USED WITH COPPER OR ALUMINUM STRANDED WIRE.
5. MADE IN U.S.A.
6. \*S - DESIGNATES SLOTTED SCREW.
7. PKG. QTY.: -0=25
8. THIS PART IS RoHS COMPLIANT.

ALUMINUM MECHANICAL CONNECTORS TYPE: LAMA

\*PART WEIGHT INCLUDES SCREW AND BODY

CAT. NO.	FIGURE	WIRE RANGE COPPER/ALUMINUM	WIRE STRIP LENGTH IN. (mm)	BOLT SIZE IN.	DIM A IN.	DIM B IN.	DIM C IN.	DIM D IN.	DIM E IN.	DIM F IN.	DIM G IN.	INSTALLATION TORQUE in-lbs (N-m)	HEX KEY	SCREW MAT'L	PART WEIGHT lb (kg)
LAMA6-14-0Y	1	6-14AWG	.38 (9.7)	1/4	.25	1.06	.38	.09	.38	.50	.43	45 (5.1)	*S	STEEL	.016 lb (.007 kg)
LAMA2-14-0Y	1	2-14AWG	.47 (11.9)	1/4	.32	1.16	.47	.09	.50	.56	.37	12-14AWG-15 (1.7) 6-10AWG-40 (4.5) 2-4AWG-50 (5.6)	*S	STEEL OR AL	.020 lb (.009 kg)
LAMA1/0-14-0Y	1	1/0-14AWG	.63 (16.0)	1/4	.44	1.47	.63	.19	.62	.81	.40	10-14AWG-35 (3.9) 8AWG-40 (4.5) 4-6AWG-45 (5.1) 1/0-3AWG-50 (5.6)	*S	AL	.036 lb (.016 kg)
LAMA2/0-14-0Y	1	2/0-14AWG	.63 (16.0)	1/4	.44	1.47	.63	.19	.62	.81	.40	10-14AWG-35 (3.9) 8AWG-40 (4.5) 4-6AWG-45 (5.1) 2/0-3AWG-50 (5.6)	*S	AL	.036 lb (.016 kg)
LAMA250-56-0Y	2	250MCM-6AWG	1.00 (25.4)	5/16	.44	2.00	1.00	.22	.90	1.06	.56	2-6AWG-275 (31.1) 250MCM-1AWG-375 (42.4)	3/8	AL	.092 lb (.042 kg)

CAD FILENAME/LAYERS		C41566_06	
PANDUIT		CORP TINLEY PARK, ILLINOIS	
LAMA SERIES 6AWG THRU 250kcmil		ALUMINUM MECHANICAL LUGS	
UNLESS OTHERWISE SPECIFIED, DIMENSIONAL TOLERANCES ARE: (.XX) ± .005 (.XXX) ± .005 ANGLES ± .005		UNLESS OTHERWISE SPECIFIED, ALL DIMENSIONS ARE GIVEN IN INCHES, THIRD ANGLE PROJECTION	
SCALE	NONE	DRAWING NO.	C41566
DATE	2/06	DRW	B
SEE NOTES		SIZE	

REV	DATE	BY	CHK	DESCRIPTION	ECN #	CUST	GM/SH	CR'D
06	1/07	JHNU	JHNU	ADDED PART WEIGHT COLUMN TO TABLE	PC00639			
--	-----	---	---	ADDED VIEWS OF PART WITH SLOTTED SCREWS ADDED NOTE TO REFERENCE NOTE 6. ADDED FIGURE COLUMN TO TABLE.	-----			
05	1/07	JHNU	JHNU	ADDED VIEWS OF PART WITH SLOTTED SCREWS ADDED NOTE TO REFERENCE NOTE 6. ADDED FIGURE COLUMN TO TABLE.	PC00629			
04	11/06	JHNU	JHNU	REVISED NOTES 1 AND 2: ADDED 600V AND TEMPERATURE RATED 90° C.	PC00611			
03	7/06	JHNU	LEM	REVISED PART NUMBER: LAMA2/0-14-0Y WAS LAMA2/0-14-0	PC00487			
02	6/06	JHNU	LEM	REVISED PART NUMBERS: LAMA6-14-0Y WAS LAMA6-14-0 LAMA2-14-0Y WAS LAMA2-14-0	PC00485			
01	3/06	JHNU	LEM	REVISED ROHS NOTE	PC00334			
00	2/06	JHNU	LEM	DRAWING RELEASED - ROHS COMPLIANT	PC00299			