

MICRO SWITCH

A DIVISION OF HONEYWELL INTERNATIONAL COMPANY
MILWAUKEE, WISCONSIN

FED. MFR. CODE 91929

ACTUATOR - SWITCH

CATALOG LISTING

JS-7

(M) JS-7
ISSUE 5

REPLACES

RELEASE NO.

CHECK

REVISIONS

A CO 9800
R. E. R.
23 FEB. 56

B CORR.
K. A. F.
13 AUG. 57

C CORR.
K. A. F.
19 AUG. 57

D CO 12901
M. B. F.
11 MAY 59

E CO 17304
M. B. F.
20 JUNE 63

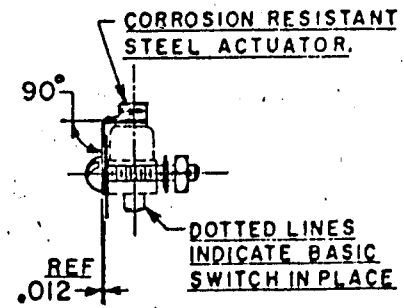
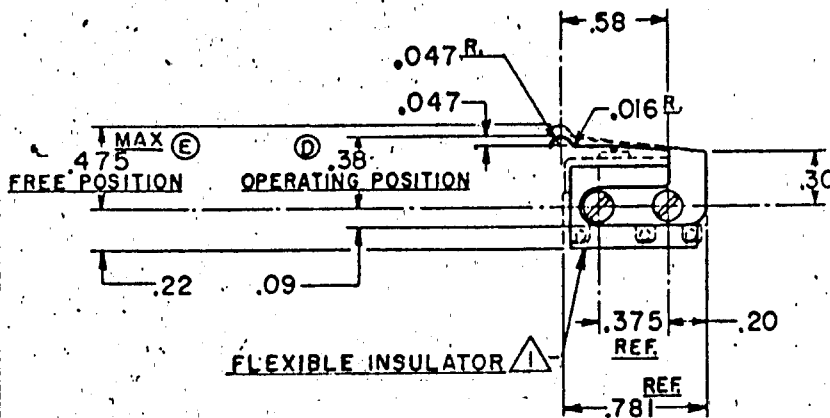
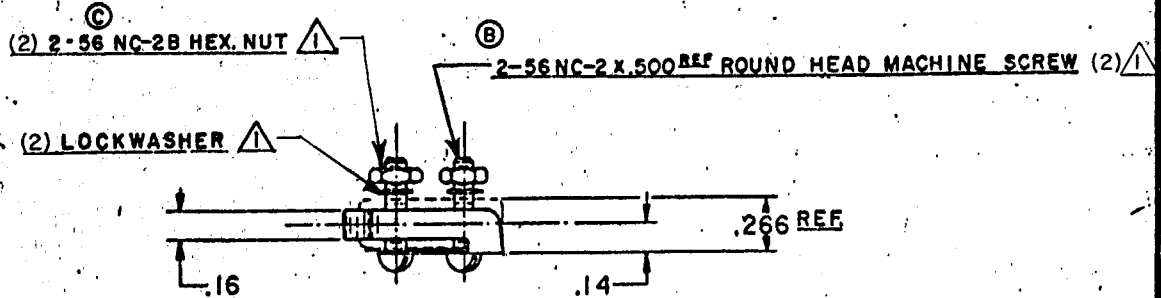
F CO 38560
J. A. L.
13 JUN 77

G CO 47771
C. J. H.
17 MAY 80

H CO 79303
D. L. T.
7 MAR. 95

74-98

74-98
DRAWN
R. E. R. 23 FEB. 56
CHECK



NOTE:
▲ FURNISHED UNASSEMBLED

THIS DRAWING COVERS A PROPRIETARY ITEM AND IS THE PROPERTY OF MICRO SWITCH, A DIVISION OF HONEYWELL. THIS DRAWING IS NOT TO BE COPIED OR USED WITHOUT THE APPROVAL OF MICRO SWITCH.

CHARACTERISTICS WITH ISMI BASIC SWITCH INSTALLED

OPERATING FORCE - - - - - 10 OZ. MAX.
(E) RELEASE FORCE - - - - - 2 OZ. MIN.
PRETRAVEL - - - - - .094 MAX.
DIFFERENTIAL TRAVEL - - - - .015 MAX.
OVERTRAVEL - - - - - .015 MIN.
(D)

ELECTRICAL DATA

CONTACT ARRANGEMENT

BREAK DISTANCE

SCALE FULL

DO NOT SCALE PRINT

UNLESS OTHERWISE SPECIFIED
DIMENSIONS ARE IN INCHES
TOLERANCES ARE:
ONE PLACE (.0) ±.030
TWO PLACE (.00) ±.015
THREE PLACE (.000) ±.005
ANGLES ± 1°

WEIGHT