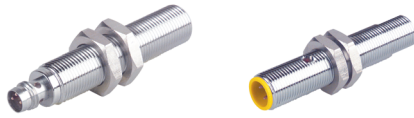
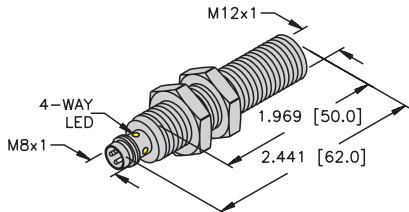
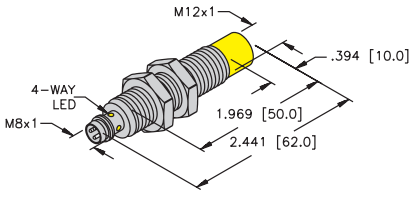
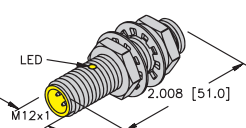
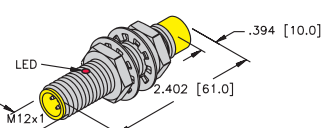
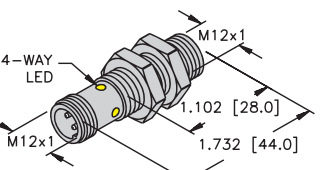



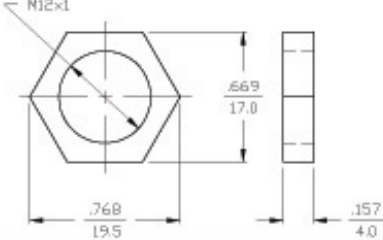
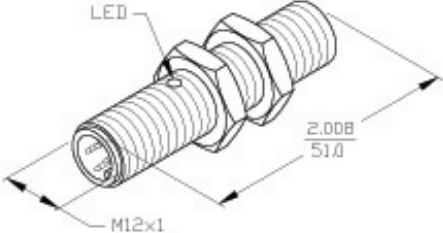
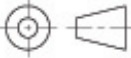
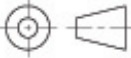
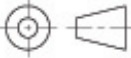
Inductive Sensors



Housing Style	Part Number	ID Number	Features	Sensing Range (mm)	Output
12 mm - Embeddable, <i>picofast</i>® Connection 	Bi 2-G12-AN6X-V1131	T4635583		2	3-Wire DC NPN
	Bi 4-G12-AN6X-V1131	M1690707	Extended Range	4	
	Bi 2-G12-AP6X-V1131	T4606597		2	3-Wire DC PNP
	Bi 4-G12-AP6X-V1131	M1690703	Extended Range	4	
12 mm - Nonembeddable, <i>picofast</i> Connection 	Ni 5-G12-AN6X-V1131	T4635721		5	3-Wire DC NPN
	Ni 5-G12-AP6X-V1131	T4635690		5	3-Wire DC PNP
12 mm - Embeddable, <i>eurofast</i>® Connection 	Bi 2-G12-AN6X-H1141	T4606693		2	3-Wire DC NPN
	Bi 2-G12-AP6X-H1141	T4606595		2	3-Wire DC PNP
	Bi 4-EG12-AP6X-H1141	T4607091	Extended Range	4	
12 mm - Nonembeddable, <i>eurofast</i> Connection 	Ni 5-G12-AN6X-H1141	T4635793		5	3-Wire DC NPN
	Ni 5-G12-AN7X-H1141	T1714593		5	
	Ni 8-G12-AN6X-H1141	T4611383	Extended Range	8	
	Ni 5-G12-AP6X-H1141	T4635692		5	3-Wire DC PNP
	Ni 5-G12-Y0-H1141	T1005594		5	2-Wire DC NAMUR
12 mm - Embeddable, <i>eurofast</i> Connection 	Bi 2-G12K-AP6X-H1141	M4670260		2	3-Wire DC PNP

Voltage	Switching Freq. (Hz)	Operating Current (mA)	Operating Temp. (°C)	Protection	Housing	Face	Power LED	Output LED	Mating Cordset	Wiring Diagram #	Wiring Diagrams
10-30 VDC	2000	≤200	-25 to +70	IP 67	CPB	PA 12	N/A	YE	PKG 3Z-*	1	<p>Diagram 1</p>
	2000	≤200	-25 to +70	IP 67	CPB	PA 12	N/A	YE	PKG 3Z-*	1	
10-30 VDC	2000	≤200	-25 to +70	IP 67	CPB	PA 12	N/A	YE	PKG 3Z-*	2	<p>Diagram 2</p>
	2000	≤200	-25 to +70	IP 67	CPB	PA 12	N/A	YE	PKG 3Z-*	2	
10-30 VDC	2000	≤200	-25 to +70	IP 67	CPB	PA 12	N/A	YE	PKG 3Z-*	1	<p>Diagram 3</p>
10-30 VDC	2000	≤200	-25 to +70	IP 67	CPB	PA 12	N/A	YE	PKG 3Z-*	2	
10-30 VDC	2000	≤200	-25 to +70	IP 67	CPB	PA 12	N/A	YE	RK 4T-*	3	<p>Diagram 4</p>
10-30 VDC	2000	≤200	-25 to +70	IP 67	SS	PA 12	N/A	YE	RKV 4T-*	4	
10-30 VDC	2000	≤200	-25 to +70	IP 67	CPB	PA 12	N/A	YE	RK 4T-*	3	<p>Diagram 5</p>
	2000	≤200	-25 to +70	IP 67	CPB	PA 12	N/A	YE	RK 4T-*	3	
	2000	≤200	-25 to +70	IP 67	CPB	PA 12	N/A	YE	RK 4T-*	3	
10-30 VDC	2000	≤200	-25 to +70	IP 67	CPB	PA 12	N/A	YE	RK 4T-*	4	<p>Diagram 5</p>
5-30 VDC	2000	Remote	-25 to +70	IP 67	CPB	PA 12	N/A	N/A	RK 4.21T-*	5	
10-30 VDC	2000	≤200	-25 to +70	IP 67	CPB	PA 12	N/A	N/A	RK 4T-*	4	<p>Diagram 5</p>
10-30 VDC	2000	≤200	-25 to +70	IP 67	CPB	PA 12	N/A	N/A	RK 4T-*	4	

* Length in meters.

WIRING DIAGRAMS	LOCKNUT LN-M12	SPECIFICATIONS																																																			
 <p>OUTPUT: AN6X</p> <p>SHORT-CIRCUIT AND OVERLOAD PROTECTED</p>		<table border="1"> <tr><td>OPERATING VOLTAGE</td><td>10-30 V DC (SHORT-CIRCUIT PROTECTED)</td></tr> <tr><td>RIPPLE</td><td>≤10%</td></tr> <tr><td>HYSTERESIS (DIFFERENTIAL TRAVEL)</td><td>3-15% (5% TYPICAL)</td></tr> <tr><td>VOLTAGE DROP ACROSS CONDUCTING SENSOR</td><td>≤1.8 V at 200 mA</td></tr> <tr><td>OUTPUT FUNCTION</td><td>NORMALLY OPEN 3-WIRE DC SELF-CONTAINED</td></tr> <tr><td>TTL COMPATIBLE</td><td>NO</td></tr> <tr><td>SHORT-CIRCUIT PROTECTED</td><td>YES</td></tr> <tr><td>TRIGGER CURRENT FOR OVERLOAD PROTECTION</td><td>≥220 mA</td></tr> <tr><td>CONTINUOUS LOAD CURRENT</td><td>≤200 mA</td></tr> <tr><td>LEAKAGE (OFF-STATE) CURRENT</td><td><10 μA</td></tr> <tr><td>NO-LOAD CURRENT</td><td>5.5-9.5 mA</td></tr> <tr><td>TIME DELAY BEFORE AVAILABILITY</td><td>≤8 ms</td></tr> <tr><td>POWER-ON EFFECT PROTECTION</td><td>INCORPORATED</td></tr> <tr><td>POLARITY INVERSION PROTECTION</td><td>INCORPORATED</td></tr> <tr><td>WIRE BREAK PROTECTION</td><td>INCORPORATED</td></tr> <tr><td>PROTECTION AGAINST TRANSIENTS</td><td>≥ 4kV, 1 ns, 1 kΩ</td></tr> <tr><td>OPERATING TEMPERATURE</td><td>-25°C to +70°C (-13°F to +158°F)</td></tr> <tr><td>ENCLOSURE</td><td>MEETS NEMA 1, 3, 4, 6, 13 AND IEC IP67</td></tr> <tr><td>SHOCK</td><td>30 g, 11 ms</td></tr> <tr><td>VIBRATION</td><td>55 Hz, 1 mm AMPLITUDE (ON ALL 3 PLANES)</td></tr> <tr><td>LED FUNCTION</td><td>RED OUTPUT ENERGIZED</td></tr> <tr><td>SENSING RANGE</td><td>2 mm = .079" (NOMINAL)</td></tr> <tr><td>SWITCHING FREQUENCY</td><td>2000 Hz</td></tr> <tr><td>REPEATABILITY</td><td>≤2%</td></tr> <tr><td>SHIELDED</td><td>YES</td></tr> </table>		OPERATING VOLTAGE	10-30 V DC (SHORT-CIRCUIT PROTECTED)	RIPPLE	≤10%	HYSTERESIS (DIFFERENTIAL TRAVEL)	3-15% (5% TYPICAL)	VOLTAGE DROP ACROSS CONDUCTING SENSOR	≤1.8 V at 200 mA	OUTPUT FUNCTION	NORMALLY OPEN 3-WIRE DC SELF-CONTAINED	TTL COMPATIBLE	NO	SHORT-CIRCUIT PROTECTED	YES	TRIGGER CURRENT FOR OVERLOAD PROTECTION	≥220 mA	CONTINUOUS LOAD CURRENT	≤200 mA	LEAKAGE (OFF-STATE) CURRENT	<10 μA	NO-LOAD CURRENT	5.5-9.5 mA	TIME DELAY BEFORE AVAILABILITY	≤8 ms	POWER-ON EFFECT PROTECTION	INCORPORATED	POLARITY INVERSION PROTECTION	INCORPORATED	WIRE BREAK PROTECTION	INCORPORATED	PROTECTION AGAINST TRANSIENTS	≥ 4kV, 1 ns, 1 kΩ	OPERATING TEMPERATURE	-25°C to +70°C (-13°F to +158°F)	ENCLOSURE	MEETS NEMA 1, 3, 4, 6, 13 AND IEC IP67	SHOCK	30 g, 11 ms	VIBRATION	55 Hz, 1 mm AMPLITUDE (ON ALL 3 PLANES)	LED FUNCTION	RED OUTPUT ENERGIZED	SENSING RANGE	2 mm = .079" (NOMINAL)	SWITCHING FREQUENCY	2000 Hz	REPEATABILITY	≤2%	SHIELDED	YES
OPERATING VOLTAGE	10-30 V DC (SHORT-CIRCUIT PROTECTED)																																																				
RIPPLE	≤10%																																																				
HYSTERESIS (DIFFERENTIAL TRAVEL)	3-15% (5% TYPICAL)																																																				
VOLTAGE DROP ACROSS CONDUCTING SENSOR	≤1.8 V at 200 mA																																																				
OUTPUT FUNCTION	NORMALLY OPEN 3-WIRE DC SELF-CONTAINED																																																				
TTL COMPATIBLE	NO																																																				
SHORT-CIRCUIT PROTECTED	YES																																																				
TRIGGER CURRENT FOR OVERLOAD PROTECTION	≥220 mA																																																				
CONTINUOUS LOAD CURRENT	≤200 mA																																																				
LEAKAGE (OFF-STATE) CURRENT	<10 μA																																																				
NO-LOAD CURRENT	5.5-9.5 mA																																																				
TIME DELAY BEFORE AVAILABILITY	≤8 ms																																																				
POWER-ON EFFECT PROTECTION	INCORPORATED																																																				
POLARITY INVERSION PROTECTION	INCORPORATED																																																				
WIRE BREAK PROTECTION	INCORPORATED																																																				
PROTECTION AGAINST TRANSIENTS	≥ 4kV, 1 ns, 1 kΩ																																																				
OPERATING TEMPERATURE	-25°C to +70°C (-13°F to +158°F)																																																				
ENCLOSURE	MEETS NEMA 1, 3, 4, 6, 13 AND IEC IP67																																																				
SHOCK	30 g, 11 ms																																																				
VIBRATION	55 Hz, 1 mm AMPLITUDE (ON ALL 3 PLANES)																																																				
LED FUNCTION	RED OUTPUT ENERGIZED																																																				
SENSING RANGE	2 mm = .079" (NOMINAL)																																																				
SWITCHING FREQUENCY	2000 Hz																																																				
REPEATABILITY	≤2%																																																				
SHIELDED	YES																																																				
		<table border="1"> <tr> <td>MATERIAL</td> <td>BRASS BARREL</td> <td rowspan="2">3RD ANGLE PROJECTION</td> <td rowspan="2"></td> <td rowspan="2">TUBOK INC</td> </tr> <tr> <td>FINISH</td> <td>COPPER/NICKEL/ CHROME PLATING</td> </tr> <tr> <td>DRWN</td> <td>GMB</td> <td>DATE</td> <td>4/4/89</td> <td>PART NO.</td> <td>Bi2-G12-AN6X-H1141</td> </tr> <tr> <td>DWG</td> <td></td> <td>DATE</td> <td></td> <td>SIZE</td> <td>B</td> </tr> <tr> <td>TITLE</td> <td></td> <td>DATE</td> <td></td> <td>ID NO.</td> <td>4606693</td> </tr> <tr> <td colspan="4">DIMENSIONS ARE IN INCHES</td> <td>SCALE</td> <td>NONE</td> </tr> <tr> <td colspan="4">REVISIONS</td> <td>SCALE</td> <td>BMOD\4606693</td> </tr> </table>		MATERIAL	BRASS BARREL	3RD ANGLE PROJECTION		TUBOK INC	FINISH	COPPER/NICKEL/ CHROME PLATING	DRWN	GMB	DATE	4/4/89	PART NO.	Bi2-G12-AN6X-H1141	DWG		DATE		SIZE	B	TITLE		DATE		ID NO.	4606693	DIMENSIONS ARE IN INCHES				SCALE	NONE	REVISIONS				SCALE	BMOD\4606693													
MATERIAL	BRASS BARREL	3RD ANGLE PROJECTION		TUBOK INC																																																	
FINISH	COPPER/NICKEL/ CHROME PLATING																																																				
DRWN	GMB	DATE	4/4/89	PART NO.	Bi2-G12-AN6X-H1141																																																
DWG		DATE		SIZE	B																																																
TITLE		DATE		ID NO.	4606693																																																
DIMENSIONS ARE IN INCHES				SCALE	NONE																																																
REVISIONS				SCALE	BMOD\4606693																																																
<table border="1"> <tr> <td>A</td> <td>SEE REVISION DOCUMENT G12H-AN6</td> <td>GMB</td> <td>3/22/91</td> <td></td> </tr> <tr> <td>REV</td> <td>DESCRIPTION</td> <td>DRFT</td> <td>DATE</td> <td>CHKD</td> </tr> </table>		A	SEE REVISION DOCUMENT G12H-AN6	GMB	3/22/91		REV	DESCRIPTION	DRFT	DATE	CHKD	<table border="1"> <tr> <td>REV</td> <td>A</td> </tr> <tr> <td>SHEET</td> <td>OF</td> </tr> </table>		REV	A	SHEET	OF																																				
A	SEE REVISION DOCUMENT G12H-AN6	GMB	3/22/91																																																		
REV	DESCRIPTION	DRFT	DATE	CHKD																																																	
REV	A																																																				
SHEET	OF																																																				