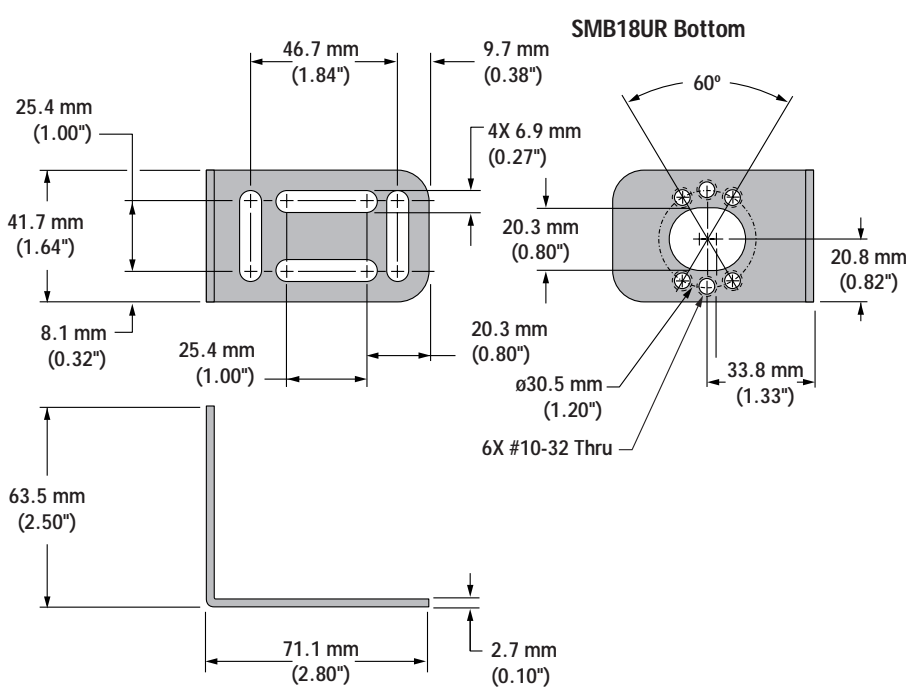
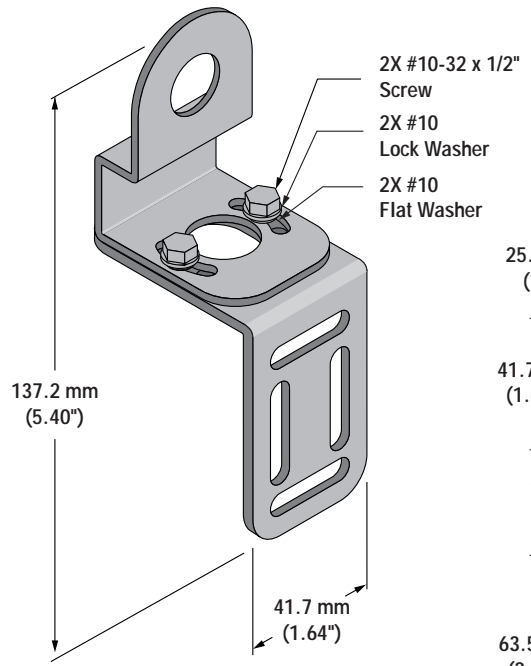
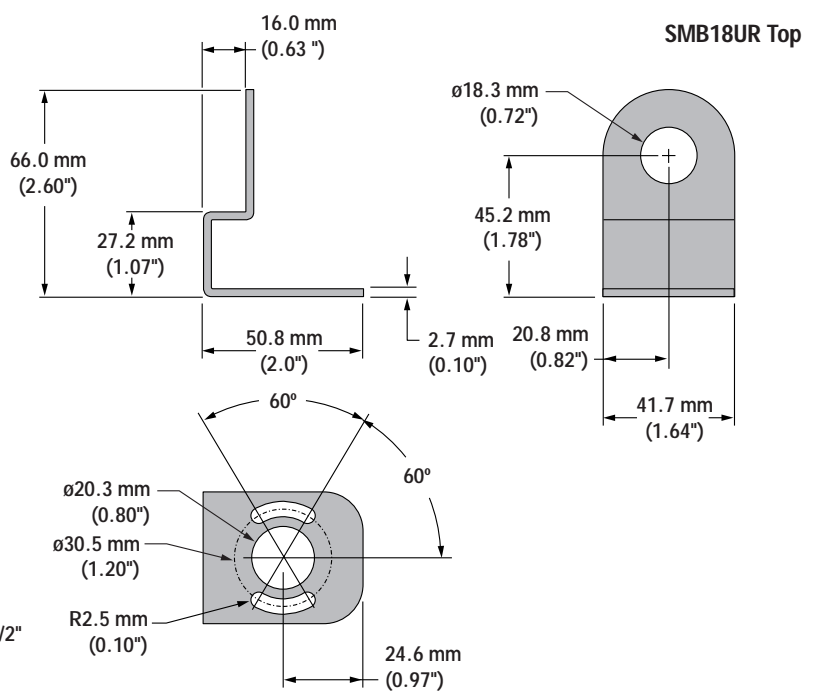


SMB18UR Mounting Bracket

For use with T18, S18, M18 and MINI-BEAM Sensors



Material: 300 Series Stainless Steel