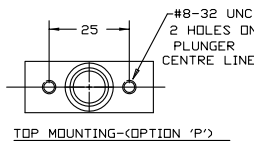
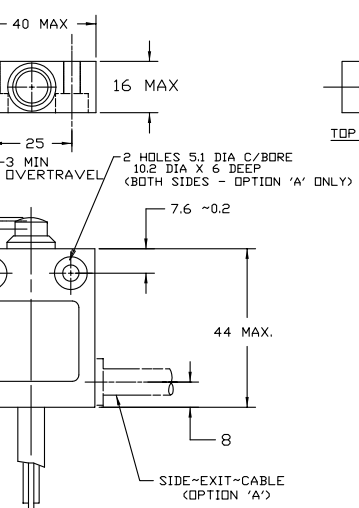


SMALL PRECISION LIMIT SWITCH

CATALOGUE LISTING
914CE SERIES
CHART MTG-CE-10



SWITCH TYPE	ISSUE	RELEASE NUMBER	OPTIONS	DIFF. TRAVEL (MAX.)	OPERATING FORCE (MAX)		RELEASE FORCE (MIN)		OPERATING POSITION	MAX FREE LENGTH
					NEWTONS	GMF	NEWTONS	GMF		
914CE1	5	MEC87/118	NDNE,A,F,G,P,L1,V C.	0.1 0.5	11.8	1200	4.4	450	15.7±1.0	54
914CE2	5	MEC87/118	NDNE,A,F,G,P,L1,V,K C.	0.1 0.5	11.8	1200	4.4	450	28.5±1.0	67
914CE18	5	MEC87/118	NDNE,A,F,G,P,L1,V C.	0.1 0.5	22.5	2300	4.4	450	24.9±1.0	63
914CE19	6	MEC87/118	NDNE,A,F,G,P,L1,V C.	0.1 0.5	17.5	1800	4.4	450	ADJUSTABLE 32 TO 39	77.4
914CE22	6	MEC87/118	NDNE,A,F,G,L1,V C.	0.1 0.5	11.8	1200	3	300	27.4 MAX	64.1
914CE27	5	MEC87/118	NDNE,A,F,G,L1,V C.	0.1 0.5	11.8	1200	4.4	450	29.3±1.0	67.2
914CE28	5	MEC87/118	NDNE,A,F,G,L1,V C.	0.1 0.5	11.8	1200	4.4	450	42.5±1.0	81
914CE29	3	MS-11125	NDNE,A,F,G,P,L1,V C.	0.1 0.5	22.5	2300	4.4	450	34.4±1.0	73
914CE31	2	MEC87/118	NDNE,A,F,G,P,L1,V C.	0.1 0.5	11.8	1200	4.4	450	24.4±1.0	63

LISTING CONVENTION
WITHIN LOGICAL LIMITS (EG 914CE2-3AK)

- CABLE LENGTH OPTIONS
- LENGTH IN FEET
- A - SIDE ENTRY
 - C - DOUBLE BREAK BASIC
 - F - BIFURCATED GOLD CONTACTS
 - G - GOLD CONTACTS
 - K - NOT TO BE USED FOR NEW APPLICATIONS
 - P - TOP MOUNTING
 - L1 - LOW TEMP. (-40°C) CONSTRUCTION
 - CABLE NOT SUITABLE FOR FLEXING
 - V - 'VITON' SEALS

FINISHED IN GREY PAINT

THROUGH A 14.5 DIA HOLE

THICKNESS = 4.2

THROUGH 10.5 DIA HOLE

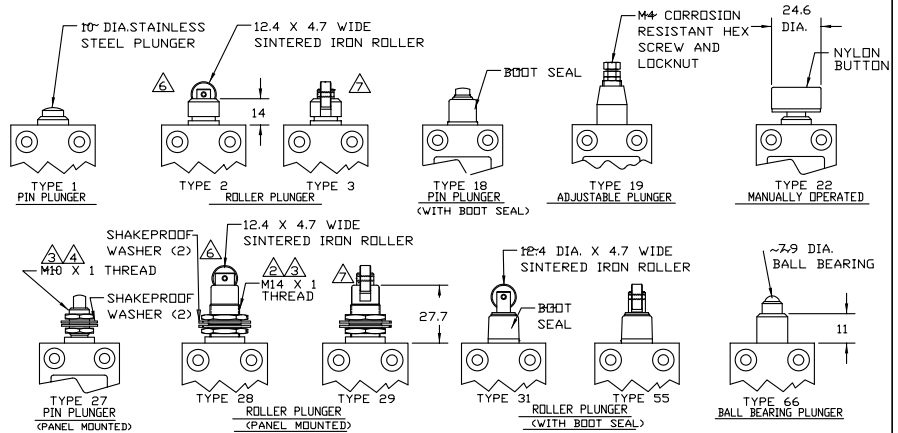
RANGE : 0° TO +70° (STANDARD)

PARALLEL WITHIN 3° TO MOUNTING FACE

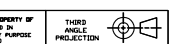
PENDICULAR WITHIN 3° TO MOUNTING FACE

RANGE : -40° TO +70°.

LISTINGS ARE IEC 947-5-1 APPROVED EXCEPT:



BASIC SWITCH	ELECTRICAL RATINGS	CIRCUIT DIAGRAM	CABLE	
STANDARD SILVER CONTACTS	5A - 250VAC 1/10HP - 125/250VAC	IEC 947-5-1 EN60947-5-1 AC14 D300 DC13 R300	S.P.D.T. RED 2 BLACK 1 GREEN 1 WHITE 3	4 X 18 A.W.G. SJT/D (UL/CSA APPROVED)
BIFURCATED GOLD - OPTION 'F' OR GOLD CONTACTS - OPTION 'G'	5-25mA, 5-50VDC			
DOUBLE BREAK SILVER CONTACTS OPTION - 'C'	5A - 250VAC 1/10HP - 125/250VAC		5 CORE P.V.C. SHEATHED (UL LISTED)	



THIRD ANGLE PROJECTION
PLOT SCALE 1/1