

814 / 816 Series Panel-Mount Electronic Timers

[Crouzet Products / Automation Controls / Panel-Mount Timers / Multifunction LCD Timers](#)

PRODUCT FEATURES

814 Series

- ✚ DIN-Sized (48 x 48mm) Housing
- ✚ 6 Modes of Operation
- ✚ Large LCD Display
- ✚ Up or Down Timing
- ✚ [814 Instructions](#)

816 Series

- ✚ DIN-Sized (48 x 48mm) Housing
- ✚ Red LCD Backlit Actual Timing Display
- ✚ High Contrast LCD Setpoint Display
- ✚ 6 Modes of Operation
- ✚ [816 Instructions](#)



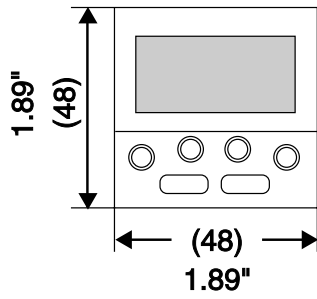
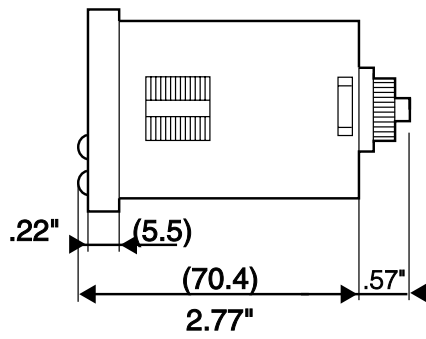
814 Series

Function	Connection	Supply Voltage	Nominal Rating	Part number	
A, B, C, D, DI, H	8-Pin	24VACDC, 110/220VAC	10A SPDT	88857005	Check Stock
A, B, C, D, DI, H	8-Pin	12VDC, 24/48VACDC	10A SPDT	88857003	Check Stock
A, B, C, D, DI, H	11-Pin	24VACDC, 110/220VAC	8A SPDT	88857105	Check Stock
A, B, C, D, DI, H	11-Pin	12VDC, 24/48VACDC	8A SPDT	88857103	Check Stock

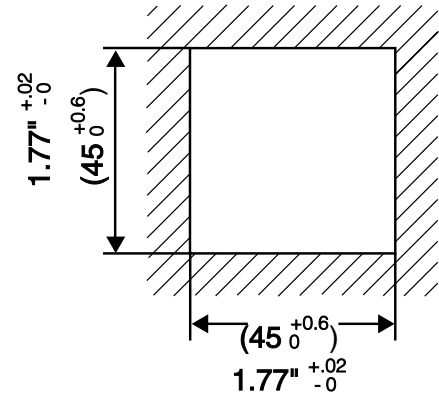
816 Series

Function	Connection	Supply Voltage	Nominal Rating	Part number	
A, B, C, D, DI, H	8-Pin	24VACDC, 110VAC	8A SPDT	88857607	Check Stock
A, B, C, D, DI, H	8-Pin	24VACDC, 220VAC	8A SPDT	88857601	Check Stock
A, B, C, D, DI, H	11-Pin	24VACDC, 110VAC	8A SPDT	88857707	Check Stock
A, B, C, D, DI, H	11-Pin	24VACDC, 220VAC	8A SPDT	88857701	Check Stock

812, 814, 815, 816 Series

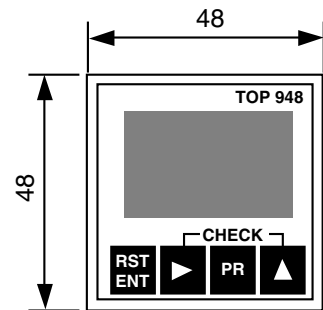
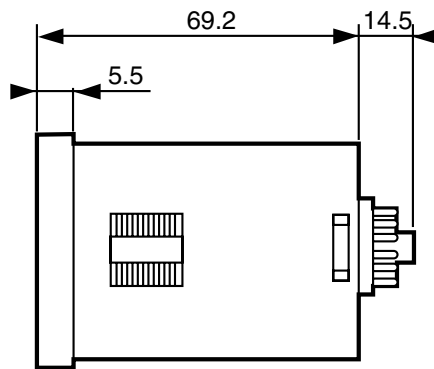
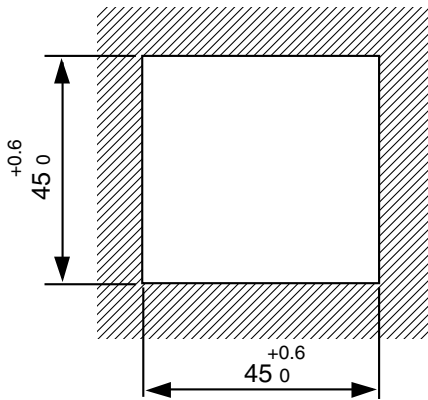


Panel cut-out



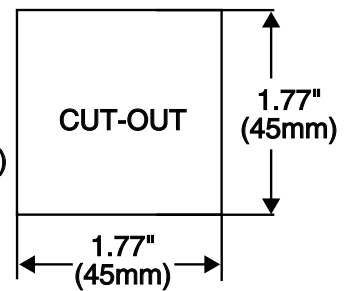
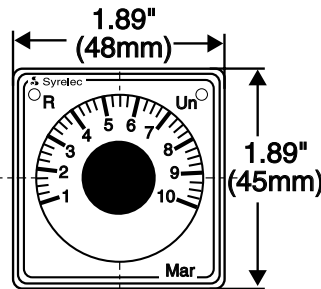
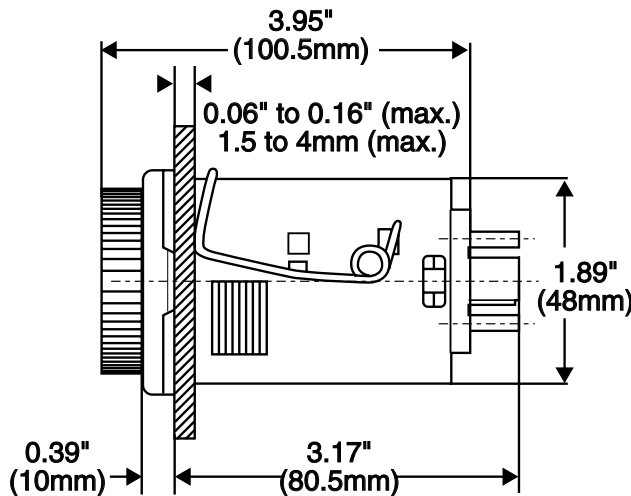
88857 Series

Cut-out



M/F/G Models

M and G Socket



816 SERIES MULTIFUNCTION TIMER

UL listed CSA recognized

- Red LCD Backlit Actual Timing Display
- High Contrast LCD Setpoint Display
- 6 Modes of Operation
- 11 Selectable Time Ranges

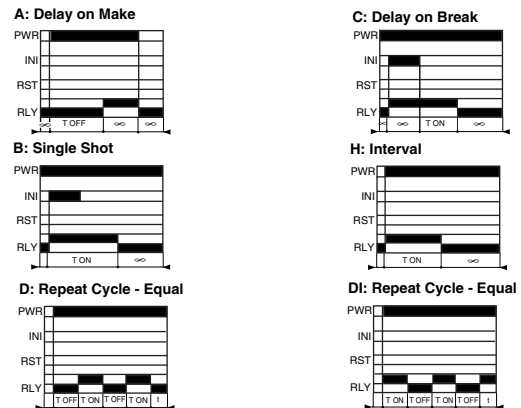


The 816 Series Timer is a multifunction timer with a red backlit LCD display showing actual process time and a high contrast LCD display showing set-point time. The 816 Timer has eleven selectable time ranges (.01 sec to 9999 hours) and is housed in a 1/16 DIN (48 x 48mm) style enclosure. Easy programming from the front panel push buttons allows selection of up or down timing. 6 different timing functions (Delay on Make, Delay on Break, Interval, Single Shot, Repeat Cycle ON Time First and Repeat Cycle OFF Time First) and 11 different timing ranges. The LCD display also shows relay output, power input and initiate switch status. Slide switch on side of unit provide lock-out of front panel access to operating mode programming.

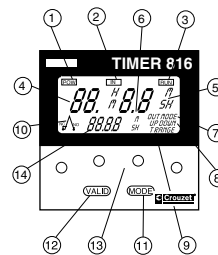
SPECIFICATIONS:

Input Power	220 VAC, 110 VAC, 24 VAC/DC, +10%, -15%
Input Power Consumption ..	1 VA at 24 VAC, 4 VA at 110 VAC, 12 VA at 230 VAC, .5 W at 24 VDC
Display	7 mm High, 4 Digit Backlit LCD
Initiate Switch Input	Dry Contact (50 ms min.)
Output	
Output	SPDT
Max Switching Current/Voltage	8 Amp 250 VAC
Max Power Rating	200 VA/190 W
Min Switch Current	100 mA
Electrical Life of Relay	10 ⁶ Operations at full load
Time Ranges	99.99 s 999.9 s
	9999 s 99 min 59 s
	99.99 min 999.9 min
	9999 min 99h 59 min
	99.99 hrs 999.9 hrs
	9999 hrs
	Note: The 99.99 s time range is not available in the Repeat Cycle Mode
Front Panel Rating	NEMA 12
Repeat Accuracy	±0.03%, ±20 ms
Reset Time	50 ms during timing
	50 ms after timing
Insulation Resistance	100 mΩ min @ 500 VAC to IEC 255.5
Dielectric Strength	2000 VAC @ 50 Hz for 1 min to VDE 0435
Noise Immunity/Interference ..	IEC 1000.4.4
	Level IV (Direct 4 KV)
	IEC 1000.4.3
	Level III (10 V/m)
Operating Temperature	+14°F to +140°F (-10°C to +60°C)
Weight	3.5 oz. (100g)
Panel Cutout	45 x 45mm (+0.6)

MODE OF OPERATIONS:

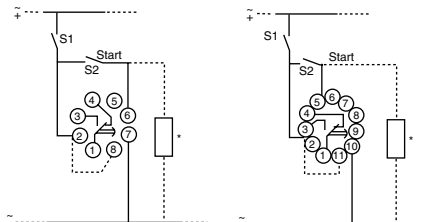


PROGRAMMING:



- 1: Power On Indicator
- 2: Initiate Switch Indicator
- 3: Timing Indicator
- 4: Timing Display
- 5: Timing Range Unit
- 6: Decimal Point
- 7: Mode of Operation
- 8: Up or Down Timing
- 9: Timing Range
- 10: Relay Output Status
- 11: Program Mode
- 12: Validation
- 13: Preset Keyboard
- 14: Preset Value Display

WIRING:



For 24 VAC/VDC service voltage for 8 pin versions jumper terminals 2 and 8. For 24 VAC/VDC service voltage for 11 pin versions jumper terminals 2 and 11.

"Load, such as light bulb or contractor, can be connected in parallel with the start switch"

DIMENSIONS See page 4-2

ORDERING INFORMATION:

<p>VOLTAGE</p> <p>110 VAC/24 VAC/DC</p> <p>220 VAC/24 VAC/VDC</p>	<p>VOLTAGE</p> <p>VOLTAGE</p>	<p>PART NUMBER</p> <p>8 PIN</p> <p>8 PIN VERSION</p> <p>88 857 607</p> <p>88 857 601</p>	<p>PART NUMBER</p> <p>11 PIN</p> <p>11 PIN VERSION</p> <p>88 857 707</p> <p>88 857 701</p>
--	---	--	--