

Current refinements (click  to remove)

[Search Tips](#) 
 Region [USA](#)  Product Family [Female Disconnect, Vinyl Barrel Insulated – Butted Seam](#)  Text Search: 'DV14-250B-C'

**Your search criteria matched only one product, shown below.**


- Disconnect can be inserted and removed from the male tab without the use of tools for lower installed cost
- Metal insulation grip sleeve crimps to wire insulation, providing protection to the crimp joint during high vibration applications
- Internal barrel serrations assure good wire contact and maximum tensile strength
- Internal wire stop assures proper length of insertion into terminal barrel, providing a higher quality connection
- UL Flammability UL 94V-0, maximum insulation temperature 221°F (105°C)

‡UL and CSA approved tooling/product combinations.

^ CSA approved tooling/product combinations.

**Related Products**

- [Male Disconnect, Vinyl Barrel Insul...](#)
- [Contour Crimp™ Control...](#)
- [Wire and Cable Stripping Tools](#)
- [Industrial Maintenance Kits](#)

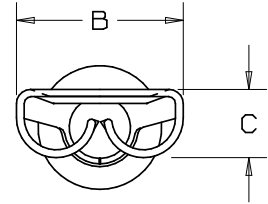
Part Number:	DV14-250B-C
RoHS Compliancy Status:	Compliant
Part Description:	Female Disconnect, vinyl barrel insulated, butted seam, 16 – 14 AWG, .250 x .032 tab size.
Product Type:	Disconnects
CSA Certified:	Yes
UL Recognized:	Yes
Height (In.):	.12
Length (In.):	.81
Width (In.):	.29
Max. Ins.:	.170
Panduit Color Code:	Blue
Tab Size (In.):	.250 x .032
Tool:	CT-1525 <sup>‡</sup> , CT-2500
Wire Range:	16 – 14 AWG
Min. Order UOM:	PC
Min. Order Qty.:	100
BOM Qty. (# of Pkgs.)	

[Add to My Catalog](#)

 Please [register](#) to utilize the 'Bill of Materials', 'Submit Quotes' and 'My Catalog' features.

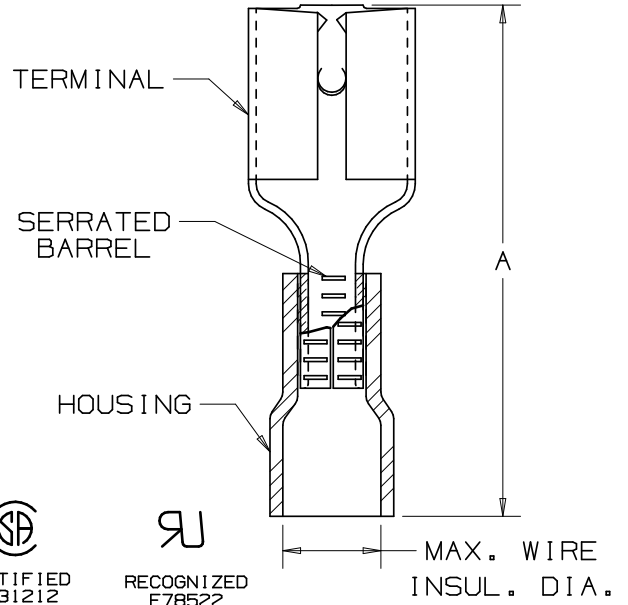
THIS COPY IS PROVIDED ON A RESTRICTED BASIS AND IS NOT TO BE USED IN ANY WAY DETRIMENTAL TO THE INTERESTS OF PANDUIT CORP.

PART NUMBER		TAB SIZE	WIRE RANGE AWG	MAX. INSUL. DIA.	DIMENSIONS in.			HOUSING COLOR
PREFIX	PK				A ±.03	B ±.01	C ±.01	
DV18-250B	-C -M -MY	.250 X .032 (6,3 X 0,8)	22-18 (0,5-1,0)	.150 (3,8)	.81 (20,6)	.29 (7,4)	.12 (3,0)	RED
*DV14-250B	-C -M	.250 X .032 (6,3 X 0,8)	16-14 (1,5-2,5)	.170 (4,3)	.81 (20,6)	.29 (7,4)	.12 (3,0)	BLUE



NOTES:

- UL LISTED, UL RECOGNIZED (DV14-250B ONLY),  
CSA CERTIFIED FOR:  
A. 600V. MAX. VOLTAGE RATING  
B. STRANDED COPPER WIRE ONLY  
C. 221° F (105° C) MAX. TEMP. RATING
- MATERIAL:  
A. STAMPING - .016" (0.41) THK BRASS,  
TIN PLATED  
B. HOUSING - VINYL
- PACKAGE QTY: STD. PKG. -C=100  
BULK PKG. -M=1000, -MY=1000
- INITIAL INSERTION FORCE - 12 LB. (53 N.) MAX  
INITIAL WITHDRAWAL FORCE - 12 LB. (53 N.) MAX  
6 LB. (27 N.) MIN
- DIMENSIONS IN BRACKETS ARE IN MILLIMETERS
- INSTALLATION TOOLS:  
A. UL LISTED AND CSA CERTIFIED: CT-520, CT-1525  
B. UL RECOGNIZED: CT-520, CT-1525
- WIRE STRIP LENGTH: 1/4 <sup>+1/32</sup> <sub>-0</sub> (6.3 <sup>+0.8</sup> <sub>-0</sub>)



09	6/06	DAW	DAW	REMOVED MAX. AMPERAGE NOTE	TRO0134				
08	5/05	JHNU		ADDED PACKAGING CODE "MY" TO DRAWING.					
07	7/03	KLFU	SKB	UPDATED DRAWING	12453	TRO	SKB		
06	5/99	JKD	SKB	ADDED CT-1525 TOOL	07634	TRO	JCJ		
05	10/94	MS	RS	UPDATED NOTES AND DIMENSIONS	02531	JM	LA		
REV	DATE	BY	CHK	DESCRIPTION	ECN #	PM	APP	DRAWN BY	CHK'D
								DAW	LA

A41307\_09

**PANDUIT** CORP.

TINLEY PARK, ILLINOIS

FEMALE DISCONNECT, VINYL INSULATED  
(.250 SERIES)

DRAWN BY DAW CHK'D LA SCALE NONE DRAWING NO. A41307