



PRODUCTS

Series SW

Medium Capacity Rocker Switches

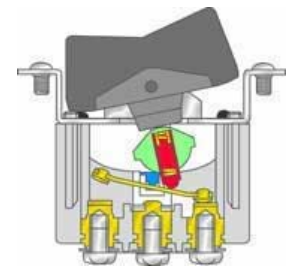


- [Download Specifications](#)
- [Configure This Switch!](#)

High Capacity Rockers



- [Download Specifications](#)
- [Configure This Switch!](#)



Standard Size Rocker Switches

SW Series are standard size rockers that are constructed of sturdy, high performance materials that include a zinc-plated steel mounting plate. The contacts are made of specially alloyed silver, which provide superior arc resistance, mechanical stability, and long electrical and mechanical life. Many of the SW series models are UL recognized and CSA certified. These rockers are designed for sub-panel mounting applications and screw lug models includes screws and mounting hardware.

GENERAL SPECIFICATIONS FOR SW3000s

Electrical Capacity (Resistive & Inductive Load)

Power Level: Shown in the following tables

Other Ratings

- Contact Resistance:** 10 milliohms maximum
- Insulation Resistance:** 1,000 megohms minimum @ 500V DC
- Dielectric Strength:** 2,000V AC minimum for 1 minute minimum
- Mechanical Life:** 30,000 operations minimum
- Electrical Life:** 10,000 operations minimum
- Angle of Throw (α):** Shown on drawings or following tables

Materials & Finishes

- Rocker:** Urea resin; all rockers are white.
- Mounting Frame:** Steel with chromate plating over zinc plating
- Case Cover/Insulator:** Phenolic resin
 - Case:** Melamine phenol
- Movable Contactor Plate:** Copper with silver plating
- Movable & Stationary Contacts:** Silver alloy plus copper with silver plating
- Terminals:** Copper with tin plating

Environmental Data

- Operating Temp Range:** -10°C through +70°C (+14°F through +158°F)
- Sealing:** Dustproof cover of silicone rubber on SW3006A, SW3007A, & SW3008A

Installation

- Maximum Panel Thickness:** Shown with following drawings
- Soldering Time & Temperature:** Manual Soldering: See Profile A in Supplement section.

Standards & Certifications



UL Recognized: Designated with UL recognized symbol beside part numbers on following pages
See Supplement section to find UL rating details. UL File No. WOYR2.E44145
Add "/U" to end of part number to order UL mark on switch.



C-UL Recognized: Designated with C-UL recognized symbol beside part numbers on following pages
See Supplement section to find C-UL rating details. C-UL File No. WOYR8.E44145
Add "/C-UL" to end of part number to order C-UL mark on switch.



CSA Certified: Designated with CSA certified symbol beside part numbers on following pages
See Supplement section to find CSA rating details. CSA File No. 023535-0-000;
Add "/C" to end of part number to order CSA mark on switch.



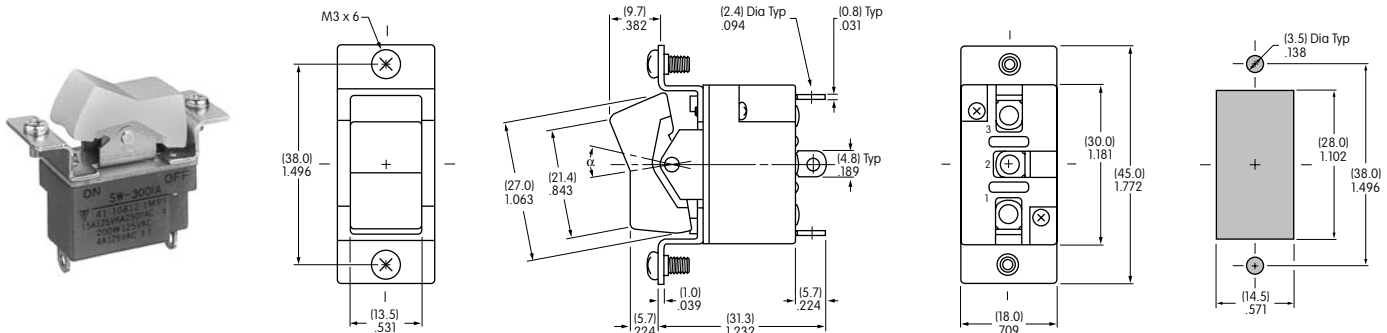
VDE Approved: SW3006A at 20A @ 125V AC & 10A @ 250V AC; VDE License No. 119189;
Add "/V" to end of part number to order VDE mark on switch.

SINGLE POLE WITH SOLDER LUG

Model	Approvals	Pole	Rocker Position/Connected Terminals			Electrical Capacity				$\alpha =$ Angle of Throw
			Down	Center	Up	Resistive			Inductive AC 125V PF 0.6	
						AC 125V	AC 250V	DC 30V		
SW3001A		SPST	ON 1-3	NONE	OFF —	15A	6A	15A	10A	24°
SW3002A		SPDT	ON 2-3	NONE	ON 2-1	15A	6A	15A	10A	24°
SW3003A		SPDT	ON 2-3	OFF	ON 2-1	15A	6A	15A	10A	28°

Throw & Schematics: SPST INTERNAL CONNECTION SPDT

Note: Terminal numbers are actually on the switch.



SW3001A

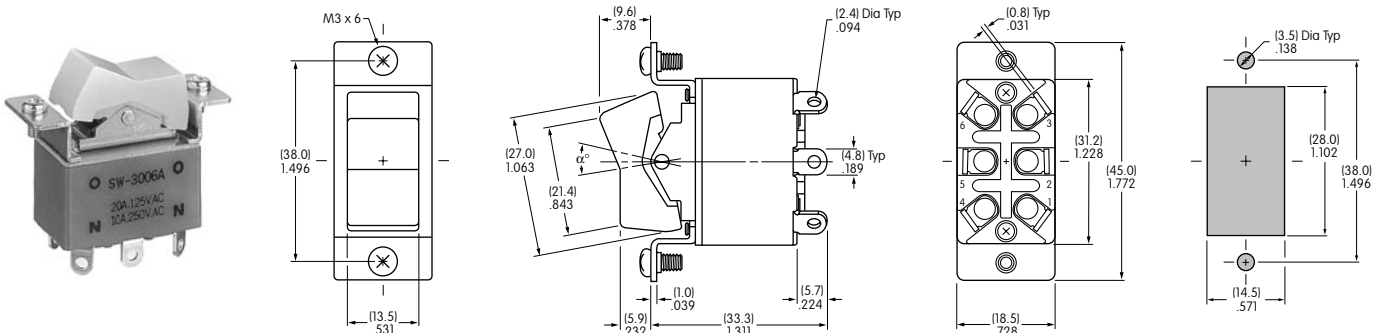
Maximum Effective Panel Thickness:
 .197" (5.0mm) for SW3001A & SW3002A models;
 .177" (4.5mm) for SW3003A models

DOUBLE POLE WITH SOLDER LUG

Model	Approvals	Pole	Rocker Position/Connected Terminals () = Momentary			Electrical Capacity				$\alpha =$ Angle of Throw
			Down	Center	Up	Resistive			Inductive AC 125V PF 0.6	
						AC 125V	AC 250V	DC 30V		
SW3006A		DPDT	ON 2-3 5-6	NONE	ON 2-1 5-4	20A	10A	20A	10A	24°
SW3007A		DPDT	ON 2-3 5-6	OFF	ON 2-1 5-4	15A	6A	15A	10A	28°
SW3008A		DPDT	(ON) 2-3 5-6	OFF	(ON) 2-1 5-4	15A	6A	15A	10A	24°

Throw & Schematic: DPDT

Note: Terminal numbers are actually on the switch.



SW3006A

Maximum Effective Panel Thickness:
 .197" (5.0mm) for SW3006A & SW3008A models;
 .177" (4.5mm) for SW3007A models