

# Product Data Sheet

## Amphenol® RADSOK® Power Bus

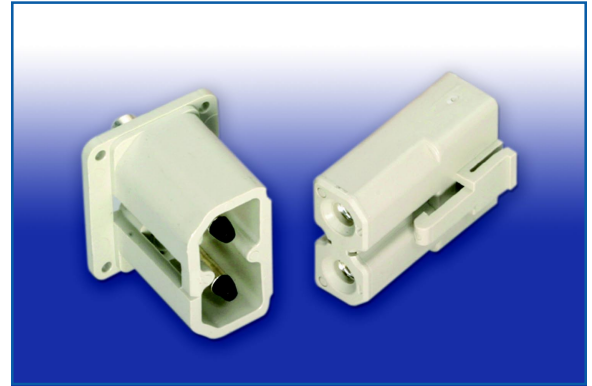
### Amphe-PD™ Connectors

No. 193

Amphenol Industrial Operations now introduces its Amphe-PD™ connector series. The Amphe-PD™ series features RADSOK® technology, a terminal that features a stamped hyperbolic grid providing low insertion force, high amperage, high reliability, and a longer cycle life. The Amphe-PD™ connector series is ideally suited for the datacom industry, as well as many other applications.

The Amphe-PD™ connectors generate more processing power with less heat than a similar-sized connector. The series produces greater amperage without wasting valuable space, offering a compact solution for datacom applications, which require small, yet powerful connectors.

The Amphe-PD™ solution is UL listed at 69A and CSA listed at 55A. Amphe-PD™ features a single position RADSOK® with molded socket shell or a dual-position TUV “touch-proof” with a V0 rating. In addition, the RADSOK® in the Amphe-PD™ supports a 50A to 70A continuous duty.



Amphe-PD

Amphenol's Amphe-PD™ series was developed with the ability to connect to wires, busbars, as well as circuit boards. This flexibility allows the Amphe-PD™ to be used in a wide variety of applications. Several different plastic receptacle-mounting variations are also available.

With millions of parts in the field, the RADSOK® electrical connection has proven to be extremely stable, with almost no reported connection failures in Amphenol-RADSOK®-designed applications. RADSOK® utilizes the tensile strength properties of the flat, high conductivity alloy grid for the high normal forces required for conductivity, while providing a large conductive surface area. This results in a correspondingly low voltage drop and low temperature rise while maintaining low insertion forces.

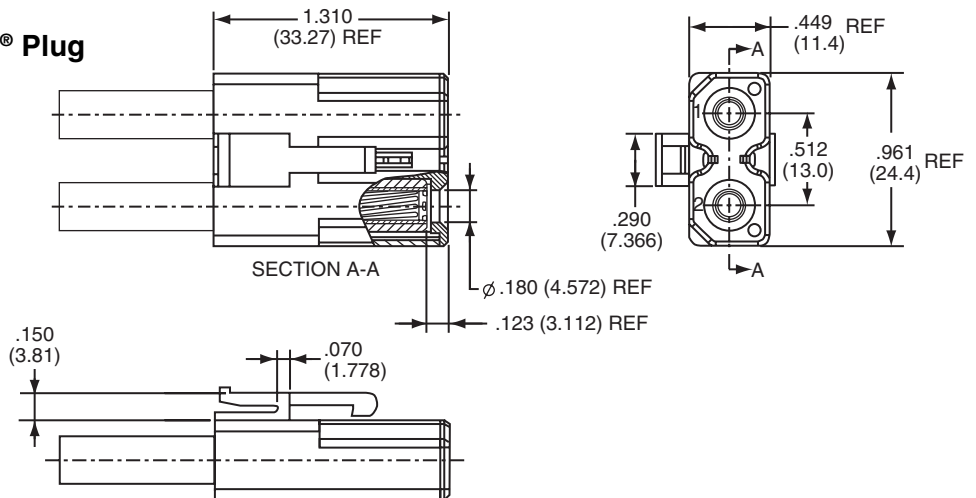
Additional benefits of the Amphe-PD™ product include:

- Low cost, 100% molded housings
- High Cycle Durability
- Integrated latching mechanism
- High Ampacity
- Easy, Tool-less assembly
- Tactile and audible locking
- Low Insertion Force
- Proven metal clip contact retention on receptacles
- High Reliability
- TPA device on plug to insure socket locking

**Technical Specifications:** UL rated 69 amps (6 AWG). CSA rated 55 Amps (6 AWG). Molded from UL94V-0 thermoplastic (self extinguishing). Meets RoHS and UL-94V-0 guidelines. 2-pole DC Power interconnect in about 1 square inch. Passes UL and TUV finger proof design standards.

### Plug

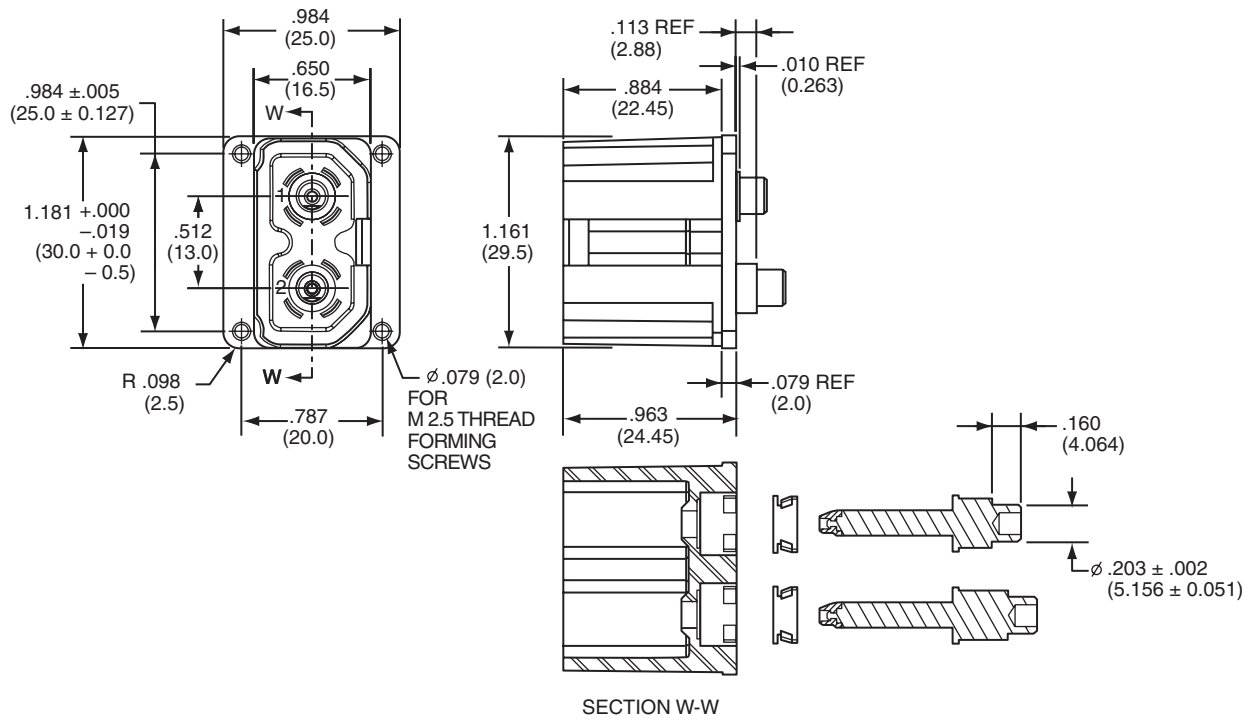
#### 10-638974-000 3.6mm RADSOK® Plug



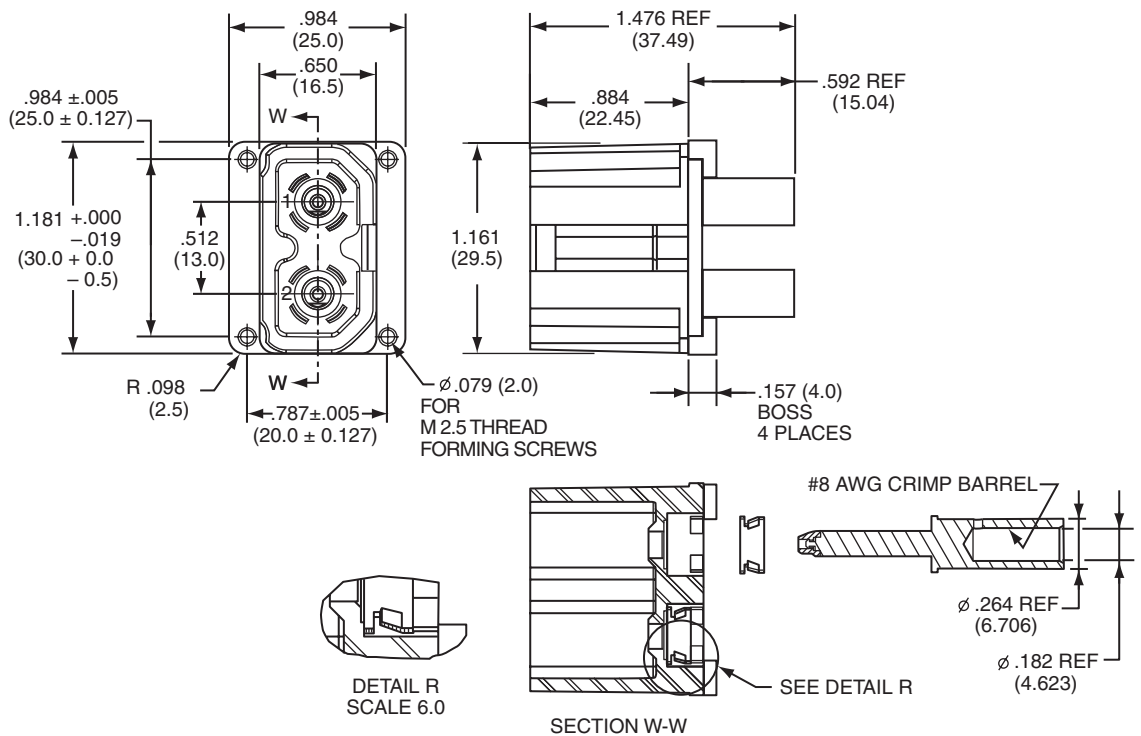
Amphenol

# Receptacles

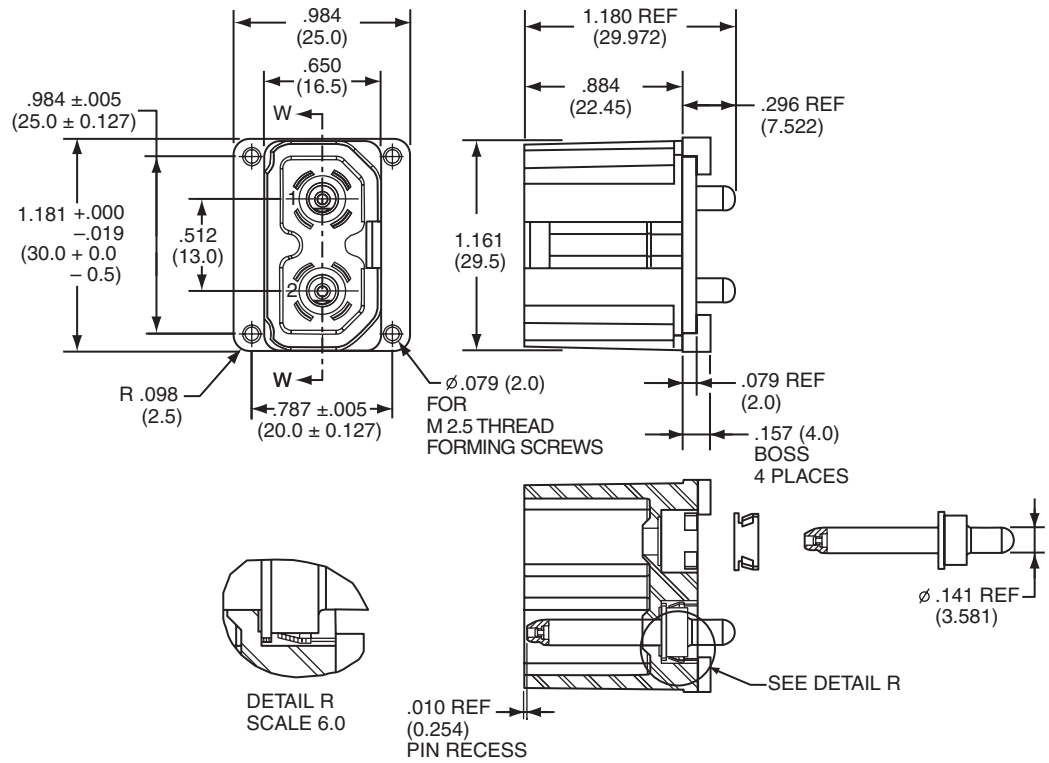
## 10-638975-000 Busbar Receptacle



## 10-638976-000 Busbar Receptacle



# 10-638977-000 PCB Tail Receptacle



For additional information on the GT Reverse Bayonet series of connectors, please ask for Catalog 12-024. For additional information on the Amphe-Power® family of connectors with RADSOK Technology, please ask for Catalog SL-391.

For further information on your individual application requirements, contact:

Amphenol Corporation  
 Amphenol Industrial Operations  
 40-60 Delaware Avenue  
 Sidney, NY 13838-1395

Phone: 1-607-563-5011 Fax: 1-607-563-5351

Internet: [www.amphenol-industrial.com](http://www.amphenol-industrial.com) and [www.radsok.com](http://www.radsok.com)

**Notice:** Specifications are subject to change without notice. Contact your nearest Amphenol Corporation Sales Office for the latest specifications. All statements, information and data given herein are believed to be accurate and reliable but are presented without guarantee, warranty, or responsibility of any kind, expressed or implied. Statements or suggestions concerning possible use of our products are made without representation or warranty that any such use is free of patent infringement and are not recommendations to infringe any patent. The user should assume that all safety measures are indicated or that other measures may not be required. Specifications are typical and may not apply to all connectors.

AMPHENOL is a registered trademark of Amphenol Corporation.

©2005 Amphenol Corporation

Printed in U.S.A. 5/2005