

You Searched for product number C-14X .
The Triad Magnetics product is highlighted below.



Triad Transformer Catalog

INDUCTORS

Description:

TRIAD chokes are manufactured in a wide variety of inductance values and physical configurations. Triad Magnetics produces two styles of TRIAD filter reactors (chokes) -- smoothing and swinging. Smoothing chokes are power supply filter chokes having a core with an air gap which prevents saturation at maximum direct current. Swinging chokes have cores with little or no air gap, therefore, exhibiting high inductance at low current and low inductance at high current. This inductance, which swings under conditions of varying load current, permits use of a high resistance bleeder resistor. Swinging chokes improve regulation of high voltage power supplies and prevent dc voltage from rising to the maximum peak ac rectifier input by providing a swinging input reactance.

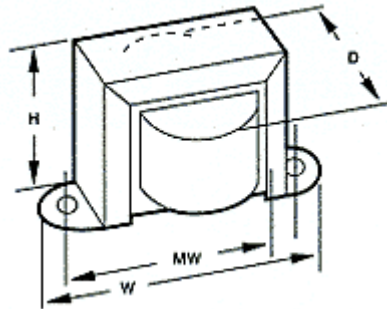
Specifications:

Inductance Ranges: .005 to 15H
DC Current Ranges: 10 Ma to 22.5A
Resistance Ranges: .06 to 3,500 Ohms

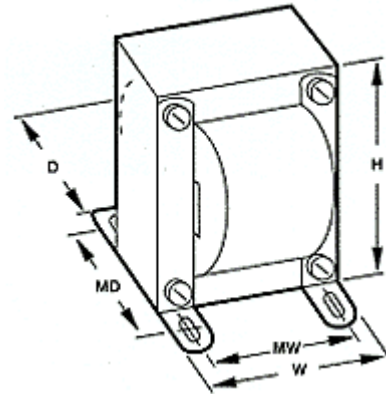
- [PRODUCTS]
- [SALES CHANNELS]
- [COMPANY]
- [CONTACT]
- [HOME]

PRINT PAGE

CLOSE PAGE



Case Type X



Case Type U

SMOOTHING FILTER CHOKES

Type No.	Current DC M/A	Inductance** Henries	Resistance Ohms	Case Type	Connections	Lead Holes Used	Dimensions			Mounting Dimensions		Wt. Lbs.
							H	W	D	MW	MD	
C-85X	10.0	1.5	70.0	X (1)	Leads	-	1 1/4	2 1/8	1 1/8	1 3/4	-	0.4
C-1X	20.0	15.0	1000.0	X (1)	Leads	-	1 3/16	2 1/16	1 1/4	1 3/4	-	0.21
C-3X	50.0	10.0	500.0	X (1)	Leads	-	1 5/8	2 13/16	1 1/2	2 3/8	-	0.6
C-8X	75.0	7.0	240.0	X (1)	Leads	-	1 15/16	3 5/16	1 3/4	2 13/16	-	1.0
C-7X	90.0	10.0	270.0	X (1)	Leads	-	1 15/16	3 5/16	2	2 13/16	-	1.3
C-14X	200.0	6.0	150.0	X (1)	Leads	-	2 19/32	4	2 1/4	3 9/16	-	2.3
C-24X	240.0	1.0	50.0	X (1)	Leads	-	1 5/8	2 13/16	1 1/2	2 3/8	-	0.75
C-36X	300.0	0.5	30.0	X (1)	Leads	-	1 3/8	2 3/8	1 1/2	2	-	0.5
C-17X	300.0	1.5	40.0	X (1)	Leads	-	2 9/32	3 11/16	2	3 1/8	-	1.6
C-40X	600.0	0.32	10.0	X (1)	Leads	-	1 15/16	3 5/16	2	2 13/16	-	1.3
C-47U	1.0A/2.0A	0.3/0.075*	3.0/0.75	U (2)	Leads	-	3 1/2	2 7/8	3 3/16	2 1/4	2 11/16	4.6
C-56U	2.0	0.035	0.79	U (2)	Lugs	-	2 1/4	2 5/8	2	2 3/16	1 3/4	2.0
C-49U	5.0A/10.0A	0.032/0.008*	0.19/0.05	U (2)	Leads	-	4 1/4	3 1/2	3 5/8	2 3/4	3 1/16	8.0
C-59U	12.5A	0.01	0.10	U (2)	Lugs	-	3 1/2	4 1/8	3	3 7/16	2 3/8	6.25
C-80U	20.0A/40.0A	0.024/0.006*	0.1/0.025	U (7)	Lugs	-	5 5/16	4 9/16	5 1/2	2 3/4	4 1/2	21.25
C-60U	22.5A	0.005	0.06	U (2)	Lugs	-	3 3/4	4 1/2	4 3/16	3 3/4	3 1/2	12.75

* Split winding

** Inductance tolerance - 20% + 50%

Mounting hole sizes: (1)=3/16" (2)=13/64 x 3/8" (3)=9/32 x 1/2"

TECHNICAL NOTES:

1. Hi-pot tested at 1,500 VRMS.
2. Connections by leads or solder lugs.
3. Inductance tolerance -20% +50%