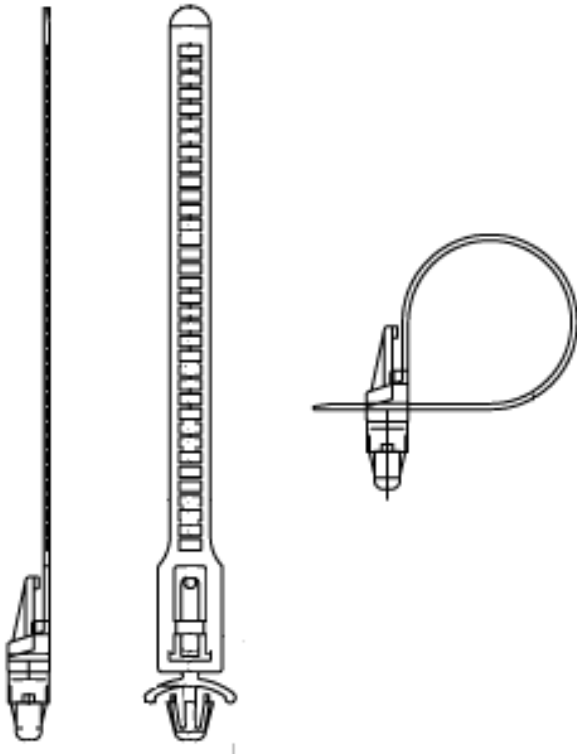


See "Part Drawing" for Details



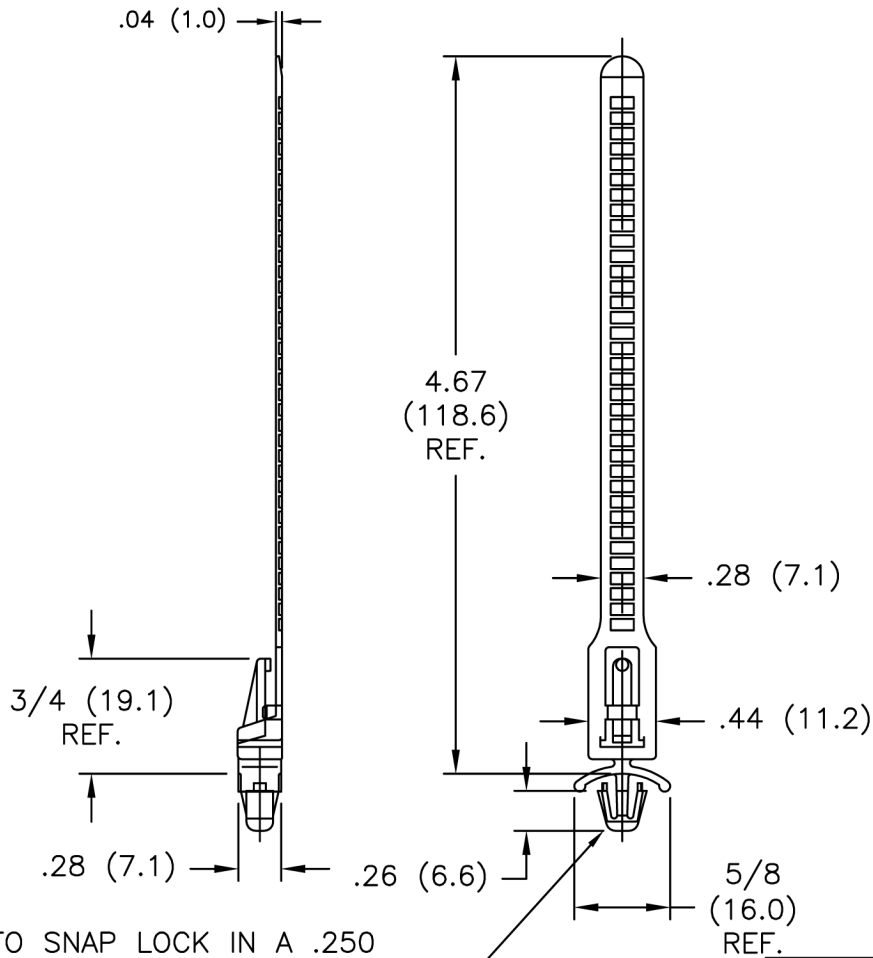
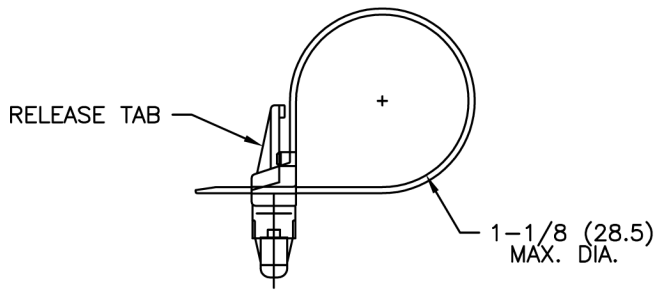
Part Number

[TOAH-18-01](#)

Description

Cbl Tie,Arrow Mnt,Nat,4.67" Lg,40Lb





TO SNAP LOCK IN A .250
(6.35) DIA. HOLE IN A 1/16
(1.6) NOM. THICK PANEL

NOTES:

- MATERIAL: NYLON 6/6 UL 94 V-2 (RMS-01).
MATERIAL: NYLON 6/6 UL 94 V-0 (RMS-75A),
AVAILABLE BY SPECIAL ORDER ONLY. TO
ORDER REPLACE "-01" WITH "-75A"
- COLOR: NATURAL.
BLACK AVAILABLE BY SPECIAL ORDER

E	SEE ECN #1220 FOR CHANGES	SK 09.18.06
D	SEE ECN #951 FOR CHANGES	SK 02.25.05
C	CHANGED FILE NO.	SM 10.31.02
B	MAT'L CHANGED TO NYLON 6/6 (RMS-01)	J.B. 05.01.96
A	DIMS .28, 5/8 & RELEASE TAB ADDED	P.B. 05.03.94
REV	DESCRIPTION	ENGR DATE

TITLE: TIE ON ARROWHEAD

TOLERANCES UNLESS NOTED .XX=±.010 .XXX=±.005 FRAC=±1/64 ANG=±1°	FILE # TOAH-18	DWN: J.O.	APP:	PART # TOAH-18-01	PRINT TYPE CA
	MAT'L: SEE NOTES	DT: 08-05-93	DT:		
	RE: RICHCO, INC.	RICHCO INC.			