

# Rhino™ Cube Style Inductive Sensors

- 20 to 40 mm sensing ranges
- Cube style housing
- High-visibility, 4-corner LED Indicators
- Metal mounting bracket



See pages 803-854 for cordsets



See pages 865-872 for accessories



### Technical Specifications

SUPPLY VOLTAGE	10-30 VDC
LOAD CURRENT (I <sub>L</sub> )	200 mA max.
LEAKAGE CURRENT (OFF-STATE)	≤ 0.5 mA
OUTPUT	
Suffix E0	NPN normally open
Suffix E2	PNP normally open
Suffix A0	NPN normally open & normally closed
Suffix A2	PNP normally open & normally closed
VOLTAGE DROP AT I <sub>L</sub> (MAX.)	≤ 2 V
HYSTERESIS	3-15% (5% typical)
SHORT CIRCUIT AND OVERLOAD PROTECTION	Yes
REVERSE POLARITY PROTECTED	Yes
LED INDICATION	See dimension drawings
SENSING FACE MATERIAL	PA-GF35
STANDARDS	EN 60947-5-2
ENVIRONMENTAL PROTECTION	IP69K
AMBIENT TEMPERATURE	-13 °F to +158 °F (-25 °C to +70 °C)
APPROVALS	

Inductive Surface Mount

3-Wire and 4-Wire DC

### Micro (M12) Quick Disconnect Models

Model Number	Range (mm)	Mounting	Electrical Output	Switching Frequency	Housing Material	Electrical Connection	Dwg. No.
NBB20-L2M-E0-V1	20	Flush	NPN N.O.	150 Hz	PA-GF35 w/metal base	M12 Micro	1
NBB20-L2M-E2-V1	20	Flush	PNP N.O.	150 Hz	PA-GF35 w/metal base	M12 Micro	1
NBB20-L2M-E34-V1	20	Flush	PNP N.C.	150 Hz	PA-GF35 w/metal base	M12 Micro	1
NBB20-L2M-A0-V1	20	Flush	NPN N.O. & N.C.	150 Hz	PA-GF35 w/metal base	M12 Micro	1
NBB20-L2M-A2-V1	20	Flush	PNP N.O & N.C.	150 Hz	PA-GF35 w/metal base	M12 Micro	1
NBN40-L2M-E0-V1	40	Nonflush	NPN N.O.	150 Hz	PA-GF35 w/metal base	M12 Micro	1
NBN40-L2M-E2-V1	40	Nonflush	PNP N.O.	150 Hz	PA-GF35 w/metal base	M12 Micro	1
NBN40-L2M-A0-V1	40	Nonflush	NPN N.O. & N.C.	150 Hz	PA-GF35 w/metal base	M12 Micro	1
NBN40-L2M-A2-V1	40	Nonflush	PNP N.O & N.C.	150 Hz	PA-GF35 w/metal base	M12 Micro	1

Also available in "L2" mounting style.

CONTINUED

Rhino™ Cube Style

Inductive Surface Mount

3-Wire and 4-Wire DC

Wiring Diagrams

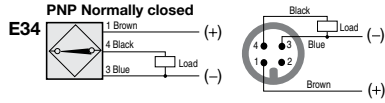
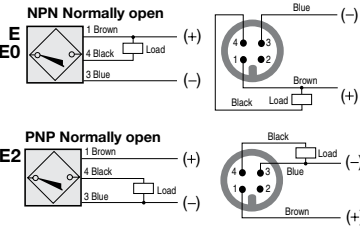
3-Wire DC



Quick Disconnect

Note: Wiring diagrams show quick disconnect pin numbers.

V1 Type



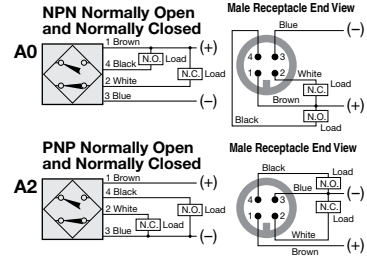
4-Wire DC



Quick Disconnect

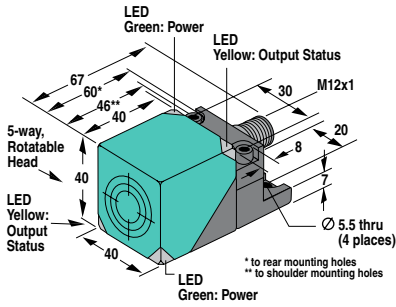
Note: Wiring diagrams show quick disconnect pin numbers.

V1 Type



Drawing No. 1

- NB...-L2M-E0-V1 [NPN N.O.]
- NB...-L2M-E2-V1 [PNP N.O.]
- NB...-L2M-E34-V1 [PNP N.C.]
- NB...-L2M-A0-V1 [NPN N.O. & N.C.]
- NB...-L2M-A2-V1 [PNP N.O. & N.C.]



20 and 40 mm Sensing Range