

Current refinements (click to remove)

[Search Tips](#) 
 Region USA Product Family Ring Terminal, Vinyl Insulated – Funnel Entry Text Search: 'PV18-6R-CY'

Your search criteria matched only one product, shown below.


- Insulation support helps to prevent wire damage in bending applications
- Ring tongue design assures a secure connection in high vibration applications
- Brazed seam protects terminal barrel from splitting during the crimp process
- UL Flammability UL 94V-0, maximum insulation temperature 221°F (105°C)
- Internal barrel serrations assure good wire contact and maximum tensile strength
- UL and CSA rated up 600 V per UL 486

‡UL and CSA approved tooling/product combinations.

Note: Wire sizes #26 – #22 AWG, are not UL Listed or CSA Certified.

| | |
|-------------------------|--|
| Part Number: | PV18-6R-CY |
| RoHS Compliancy Status: | Compliant |
| Note: | PV18-6R-CY replaces PV18-6R-C |
| Part Description: | Ring Terminal, 22 – 18 AWG, #6 stud size, vinyl insulated, funnel entry. |
| Product Type: | Terminals |
| CSA Certified: | Yes |
| UL Listed: | Yes |
| Length (In.): | .86 |
| Width (In.): | .25 |
| Clearance: | .22 |
| Max. Ins.: | .150 |
| Panduit Color Code: | Red |
| Stock: | .03 |
| Stud Size: | #6 |
| Tool: | CT-100A‡, CT-600-A‡, CT-1550‡, CT-1551‡, CT-2500‡ |
| Wire Range: | 22 – 18 AWG |
| Min. Order UOM: | PC |
| Min. Order Qty.: | 100 |
| BOM Qty. (# of Pkgs.) | |

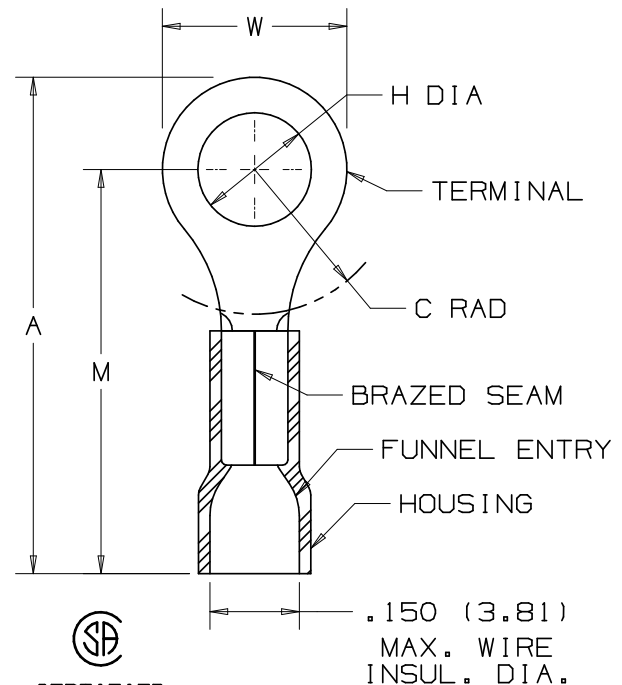
[Add to My Catalog](#)

 Please [register](#) to utilize the 'Bill of Materials', 'Submit Quotes' and 'My Catalog' features.

THIS COPY IS PROVIDED ON A RESTRICTED BASIS AND IS NOT TO BE USED IN ANY WAY DETRIMENTAL TO THE INTERESTS OF PANDUIT CORP.

| PANDUIT PART NUMBER | STUD SIZE | DIMENSIONS in. | | | | | |
|---------------------|------------|----------------|----------------|---------------|---------------|----------------|---------------|
| | | A ±.03 | W ±.010 | C ±.02 | M ±.03 | H ±.010 | |
| PV18-4R | -CY -MY | #4 | .84 (21.3) | .25 (6.4) | .22 (5.6) | .69 (17.5) | .12 (3.1) |
| PV18-6R | -CY -MY | #6 | .86 (21.8) | .25 (6.4) | .22 (5.6) | .70 (17.8) | .15 (3.8) |
| PV18-8R | -CY -MY | #8 | .91 (23.1) | .31 (7.9) | .26 (6.6) | .78 (19.8) | .17 (4.3) |
| PV18-10R | -CY -MY | #10 | .94 (23.9) | .31 (7.9) | .27 (6.9) | .78 (19.8) | .20 (5.1) |
| PV18-14R | -CY -MY | 1/4" | 1.11 (28.2) | .46 (11.7) | .37 (9.4) | .88 (22.4) | .27 (6.9) |
| PV18-56R | -CY -MY | 5/16" | 1.11 (28.2) | .46 (11.7) | .39 (9.9) | .88 (22.4) | .34 (8.6) |
| PV18-38R | -CY -MY | 3/8" | 1.19 (30.2) | .53 (13.5) | .42 (10.7) | .96 (24.4) | .40 (10.2) |
| PV18-12R | -CY | 1/2" | 1.42 (36.1) | .72 (18.3) | .53 (13.5) | 1.06 (26.9) | .52 (13.2) |

Panduit part numbers shown on this drawing meet the material requirements of RoHS (European Directive 2002/95/EC on the Restriction of Hazardous Substances) as proposed by the Technical Adaptation Committee.



Notes:

1. UL LISTED & CSA CERTIFIED FOR:

- A. 600 max voltage rating (1000 V. MAX. IN SIGNS, FIXTURES AND LUMINAIRES.)
- B. #22-16 AWG Solid or stranded copper wire range, 221°F (105°C) max temp rating with CT-500, CT-550, CT-1550 and CT-1551 installation tools.
- C. #22-18 AWG Solid or stranded copper wire range, 167°F (75°C) max temp rating with CT-100 installation tool.

- 2. Wire strip length: 5/16^{+1/32}₋₀ (7.9^{+0.8})
- 3. Package Quantity (Suffix to basic part no.):
A. Standard -CY=100 B. Bulk -MY=1000

- 4. Material:
A. Stamping: .032 (.81) thick tin plated copper
B. Housing: Red vinyl

- 5. Dimensions in brackets are in millimeters



LISTED
587H
E52164



CERTIFIED
LR31212

A41268_10

| | | | | | | | | |
|-----|------|------|-----|---|---------|------|-----|--|
| 10 | 3/06 | DAW | DAW | REMOVED -C & -M, ADDED -CY AND RoHS COMPLIANCY NOTE | TR00093 | LCA | TRO | <p>TINLEY PARK, ILLINOIS</p> <p>#22-18 BARREL FUNNELED VINYL INSULATED RING TONGUE, .150 (3.81) MAX WIRE INSULATION DIAMETER</p> |
| 09 | 5/05 | JHNU | | ADDED PACKAGING CODE "MY" TO DRAWING. | | | | |
| 08 | 5/02 | SRB | SKB | ADDED PV18-12R AND REVISED FUNNEL ENTRY | 10231 | LA | TRO | |
| 07 | 4/01 | SAB | | ADDED PACKAGING CODES AND REMOVED PV18-6RN | 10171 | | TRO | |
| REV | DATE | BY | CHK | DESCRIPTION | ECN # | CUST | PM | DRAWN BY: DAW CHK'D: SCALE: NONE DRAWING NO.: A41268 |