

# Yellow PVC Micro Cordsets

12 mm receptacle  
DC sensor compatibility

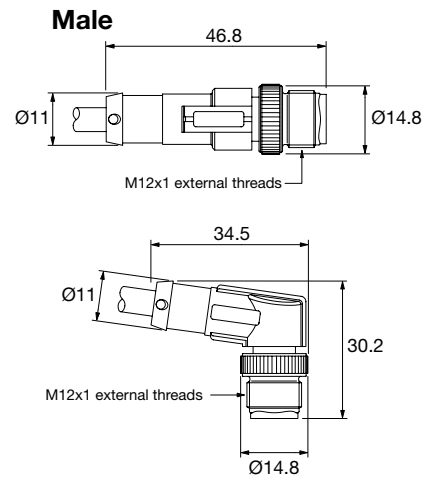
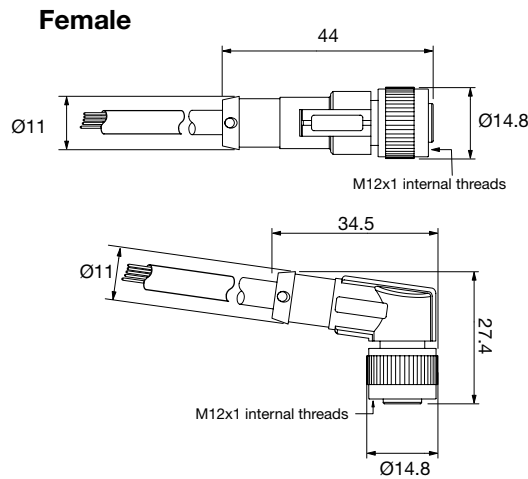
- Single key
- Yellow PVC cable jacket
- Female or male connection
- #22 AWG
- 4- and 5-pin



## Specifications

MATERIAL DATA	
MOLDED HEAD	Yellow TPU
CABLE OUTER JACKET	Yellow PVC
CONTACTS	Brass (nickel & gold plated)
CONTACT CARRIER	TPU with 20% glass fiber
COUPLING NUT	Nickel-plated diecast zinc
WIRE GAUGE	22 AWG
CABLE OUTER DIAMETER	5.5 mm
ELECTRICAL DATA	
NOMINAL CURRENT	4 A
RATED VOLTAGE (4/5 pole)	300 V/125 V
CONTACT RESISTANCE	≤ 5 mΩ
ENVIRONMENT DATA	
PROTECTION CLASSES	IP68/69K
TEMPERATURE RANGE	-22 °F to +221 °F

## Dimensions (mm)



⚡ Stocked item

- Typical delivery 4 weeks or less
- Consult factory for all other models

## Model Number Selection

Face View (female)	Color Code	Length (m)	Female Straight	Female Right Angle	Male Straight	Male Right Angle
	1. Brown	2	V1-G-YE2M-PVC ⚡	V1-W-YE2M-PVC ⚡	V1-G-S-YE2M-PVC ⚡	V1-W-S-YE2M-PVC ⚡
	2. White	5	V1-G-YE5M-PVC ⚡	V1-W-YE5M-PVC ⚡	V1-G-S-YE5M-PVC ⚡	V1-W-S-YE5M-PVC ⚡
	3. Blue	10	V1-G-YE10M-PVC ⚡	V1-W-YE10M-PVC ⚡		
	4. Black	20	V1-G-YE20M-PVC ⚡	V1-W-YE20M-PVC ⚡		
	5. Not used					
	1. Brown	2	V15-G-YE2M-PVC ⚡	V15-W-YE2M-PVC ⚡		
	2. White	5	V15-G-YE5M-PVC ⚡	V15-W-YE5M-PVC ⚡		
	3. Blue					
	4. Black					
	5. Grey					

**Specifications**

MATERIAL DATA	
MOLDED HEAD	Yellow TPU
CABLE OUTER JACKET	Yellow PUR
CONTACTS	Brass (nickel & gold plated)
CONTACT CARRIER	TPU with 20% glass fiber
COUPLING NUT	Nickel-plated diecast zinc
WIRE GAUGE	22 AWG
CABLE OUTER DIAMETER	5.2 mm
ELECTRICAL DATA	
NOMINAL CURRENT	4 A
RATED VOLTAGE	300 V
CONTACT RESISTANCE	≤ 5 mΩ
ENVIRONMENT DATA	
PROTECTION CLASSES	IP68/69K
TEMPERATURE RANGE	-13 °F to +176 °F

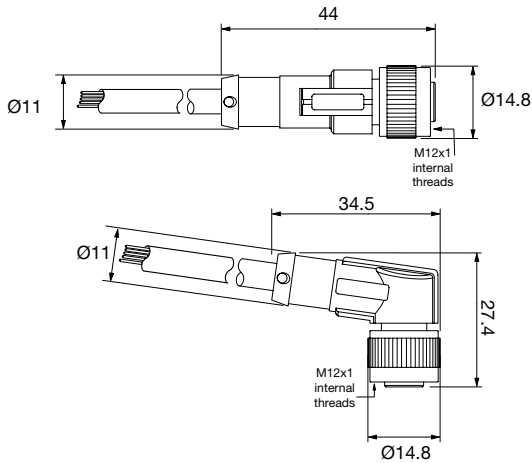
# Yellow PUR Micro Cordsets

12 mm receptacle  
DC sensor compatibility

- Single key
- Yellow PUR cable jacket
- Female connection
- #22 AWG
- 4-pin
- Halogen free



**Dimensions (mm)**



**Model Number Selection**

Face View (female)	Color Code	Length (m)	Straight	Right Angle
	1. Brown	2	V1-G-YE2M-PUR ⚡	V1-W-YE2M-PUR ⚡
	2. White	5	V1-G-YE5M-PUR ⚡	V1-W-YE5M-PUR ⚡
	3. Blue	10	V1-G-YE10M-PUR ⚡	V1-W-YE10M-PUR ⚡
	4. Black			
	5. Not used			

- ⚡ Stocked item
- Typical delivery 4 weeks or less
- Consult factory for all other models

# Yellow Irradiated PUR Micro Cordsets

12 mm receptacle  
DC sensor compatibility

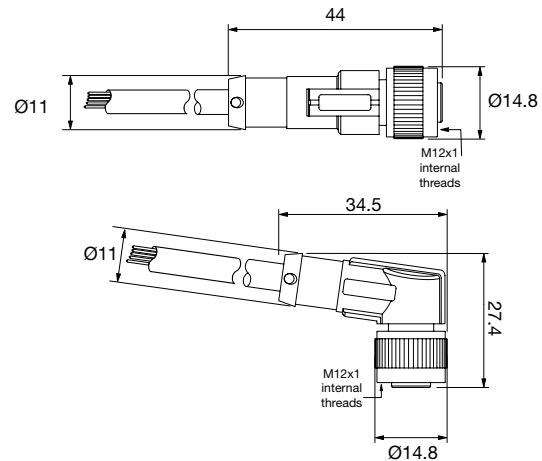
- 4-pin single key design
- Yellow irradiated PUR cable jacket
- Female version
- #18 AWG
- Ideal for welding applications
- Halogen free



## Specifications

MATERIAL DATA	
MOLDED HEAD	Yellow TPU
CABLE OUTER JACKET	Yellow irradiated PUR
CONTACTS	Brass (nickel & gold plated)
CONTACT CARRIER	TPU with 20% glass fiber
COUPLING NUT	Nickel-plated diecast zinc
WIRE GAUGE	18 AWG
CABLE OUTER DIAMETER	6.2 mm
ELECTRICAL DATA	
NOMINAL CURRENT	4 A
RATED VOLTAGE	300 V
CONTACT RESISTANCE	≤ 5 mΩ
ENVIRONMENT DATA	
PROTECTION CLASSES	IP68/69K
TEMPERATURE RANGE	-40 °F to +221 °F

## Dimensions (mm)



- ⚡ Stocked item
- Typical delivery 4 weeks or less  
Consult factory for all other models

## Model Number Selection

Face View (female)	Color Code	Length (m)	Straight	Right Angle
	1. Brown	2	V1-G-YE2M-PUR-H/S ⚡	V1-W-YE2M-PUR-H/S ⚡
	2. White	5	V1-G-YE5M-PUR-H/S ⚡	V1-W-YE5M-PUR-H/S ⚡
	3. Blue	10	V1-G-YE10M-PUR-H/S ⚡	V1-W-YE10M-PUR-H/S ⚡
	4. Black			
	5. Not used			