

**GEM-V
FOOTSWITCH**



Gem Footswitch

Environmental Ratings:

EN 60529 Degree of Protection IP20

Key Benefits

Gem foot switch models feature a round black actuating cap in a chrome plated heavy die cast housing with a full nonskid base pad. Moderate pressure from any direction operates the foot switch. Standard models supplied with cordset are wired normally open and grounded.




Size: 3-13/16" x 1-7/32"

Weight: 1 lb.

SPECIFICATIONS

(Special variations are available to the O.E.M. on special order on the models listed below)

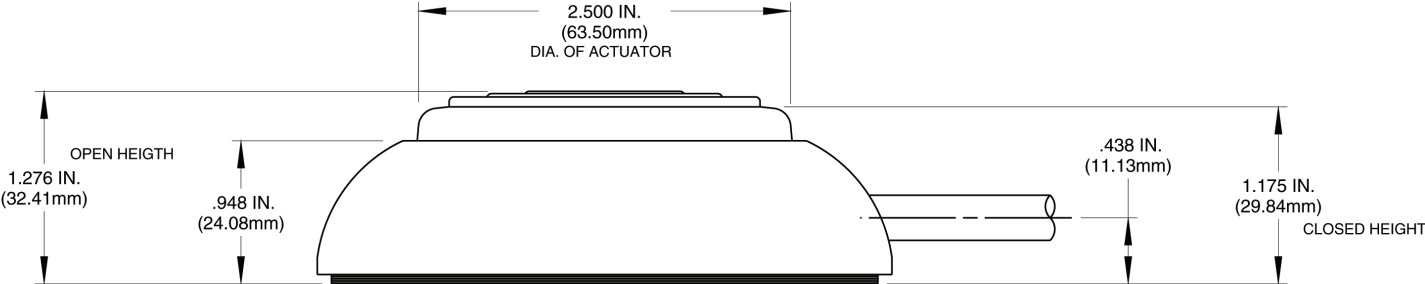
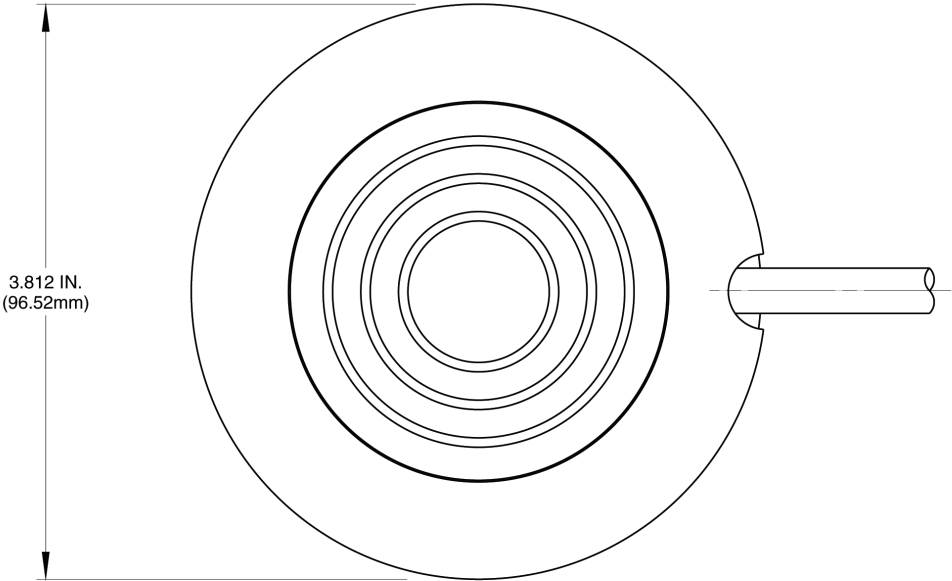
▲ WARNING

	CATALOG NUMBER	DESCRIPTION	CIRCUIT	FORM	ELECTRICAL RATINGS
	GEM-V2	Momentary	SPDT	C	15 A 125-250 VAC 1/2 H.P. 125-250 VAC
	GEM-V3*	Momentary	SPST Wired N.O.	A	10 A 125 VAC 1/2 H.P. 125 VAC
	GEM-V36**	Momentary	SPST Wired N.O.	A	10 A 125-250 VAC 1/2 H.P. 125-250 VAC

*Supplied with 6 ft. 18/3 cord and 3 prong series plug. Green lead grounded. **Supplied with 6 ft. 18/3 cord without plug. Green lead grounded.

Gem-V Model

NOTE: ALL DIMENSIONS ARE FOR REFERENCE ONLY.



NEMA Type 2 UL ENCLOSURE 2 (VK ONLY)
EN 60529 Degree of Protection IP21 (IP68 Upon Request)

Driptight • Dusttight (VK ONLY) Corrosion Resistant
COMPACT OMNI-DIRECTIONAL DESIGN

Materials of Construction:

- Mounted in a chrome plated heavy zinc die cast housing
- A full nonskid base pad
- A special vinyl cover gives added environmental protection against limited amounts of water and dirt
- The dip molded cover is bonded to the vinyl base pad of the foot switch

Features & Benefits:

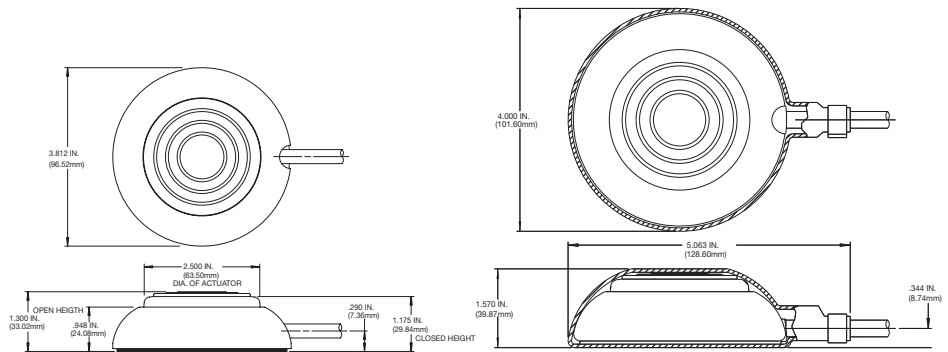
- Features a round black actuating cap
- Moderate pressure from any direction operates the switch
- Standard models supplied with cordset
- Wired normally open and grounded
- Ease of operation with foot or hand
- The cable entry boot is clinched tight to the cordset

Options:

- Special paint finish available
- Silk Screening available
- Special single wiring channel with or without side protectors available
- Twin version available
- European type foot switch is offered pre wired with 3 conductor cordset having brown, blue and green/yellow colored leads. It is a momentary contact and wired normally open with green/ yellow lead grounded to switch base



V Series	
Size (Dia. x H):	3.81 x 1.22 In.
Weight:	1.00 lbs.
VK Series	
Size (Dia. x H):	4.00 x 1.38 In.
Weight:	1.5 lbs.



⚠️ WARNING SEE PRODUCT WARNING ON PAGE 8

SPECIFICATIONS (Special variations are available to the O.E.M. on special order on the models listed below)

AGENCY APPROVALS	EN 60529 Degree of Protection	CATALOG NUMBER	DESCRIPTION	CIRCUIT	FORM	ELECTRICAL RATINGS
cUL _{us}	IP21	GEM-VK3 ¹	Momentary / Vinyl Cover	SPST Wired N.O.	A	10 A 125 VAC 1/2 H.P. 125 VAC
cUL _{us} CE	IP21	GEM-VK36 ²	Momentary	SPST Wired N.O.	A	10 A 125-250 VAC 1/2 H.P. 125-250 VAC
cUL _{us} CE	IP20	GEM-VCEA ³	Momentary	SPST Wired N.O.	A	10 A 125-250 VAC 1/2 H.P. 125-250 VAC
cRA _{us} CE	IP20	GEM-V2	Momentary	SPDT	C	15 A 125-250 VAC 1/2 H.P. 125-250 VAC
cUL _{us}	IP20	GEM-V3 ¹	Momentary	SPST Wired N.O.	A	10 A 125 VAC 1/2 H.P. 125 VAC
cUL _{us} CE	IP20	GEM-V36 ²	Momentary	SPST Wired N.O.	A	10 A 125-250 VAC 1/2 H.P. 125-250 VAC

¹Supplied with 6 ft. 18/3 cord and 3 prong series plug. Green lead grounded. ²Supplied with 6 ft. 18/3 cord without plug. Green lead grounded.
³Supplied with 2 meter 18/3 brown, blue & green/yellow leads.